

SAW Filter 675.0MHz

Model: TA0616A

Part No: MP01460

REV. NO.: 3

A. MAXIMUM RATING:

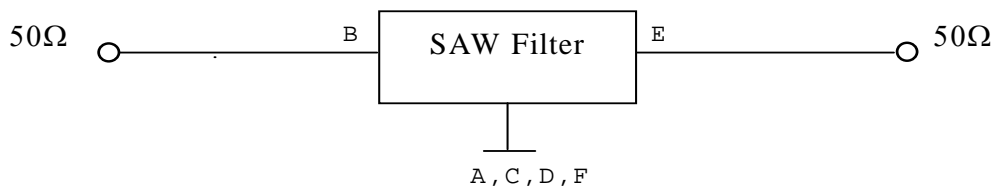
1. Input Power Level: 10 dBm
2. DC Voltage : 3V
3. Operating Temperature: 0°C to +50°C
4. Storage Temperature: -30°C to +85°C

B. ELECTRICAL CHARACTERISTICS:

Item	Unit	Min.	Typ.	Max.	Note
Center Frequency Fc	MHz	-	675	-	-
Insertion Loss at Center Frequency ILc	dB	-	1.6	2.2	-
VSWR at Center Frequency		-	1.3	2	-
Attenuation (Reference level from ILc)					
608 ~ 614 MHz	dB	20	60	-	-
736 ~ 742 MHz	dB	20	65	-	-
1283 ~ 1289 MHz	dB	45	58	-	-
1411 ~ 1417 MHz	dB	45	55	-	-
1958 ~ 1964 MHz	dB	35	44	-	-
2086 ~ 2092 MHz	dB	33	40	-	-

C. MEASUREMENT CIRCUIT:

HP Network analyzer



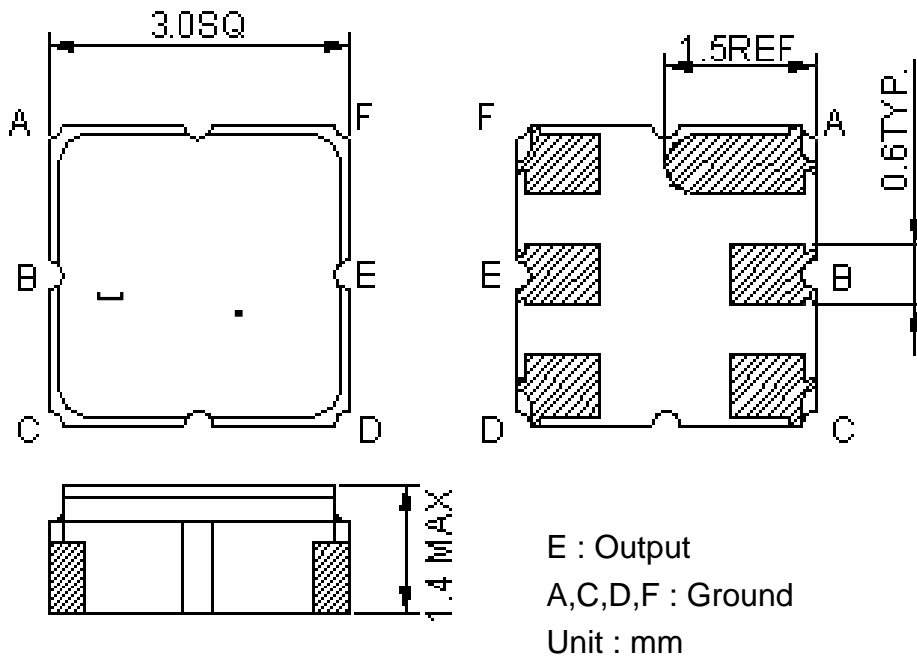
SAW Filter 675.0MHz

Model: TA0616A

Part No: MP01460

REV. NO.: 3

D. OUTLINE DRAWING:



Note :

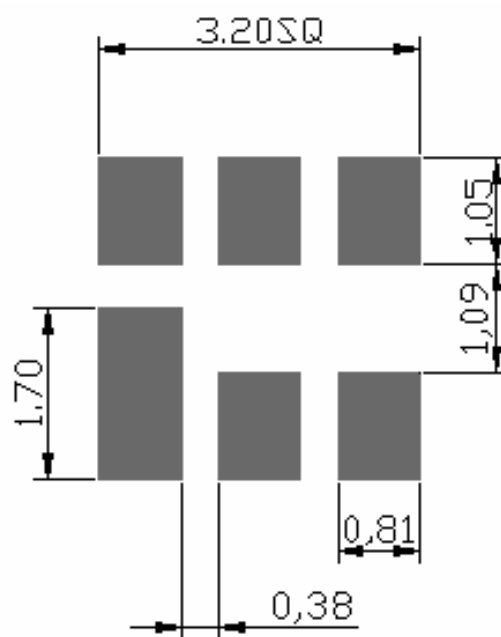
The base material is ceramic with Au over Ni plating.

The plating thicknesses are:

Electro Ni : 1.27~8.89µm.

Electro Au : 0.3~1.0µm (solder pads only).
 0.3µm Min. (Others)

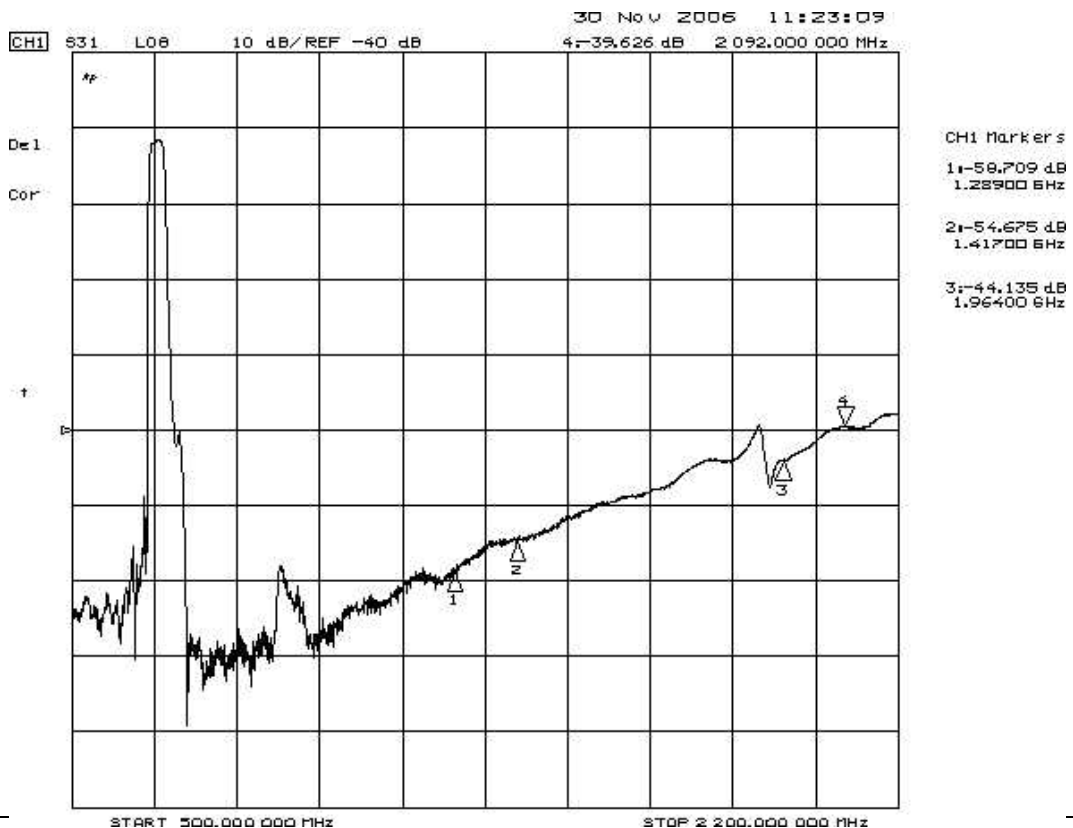
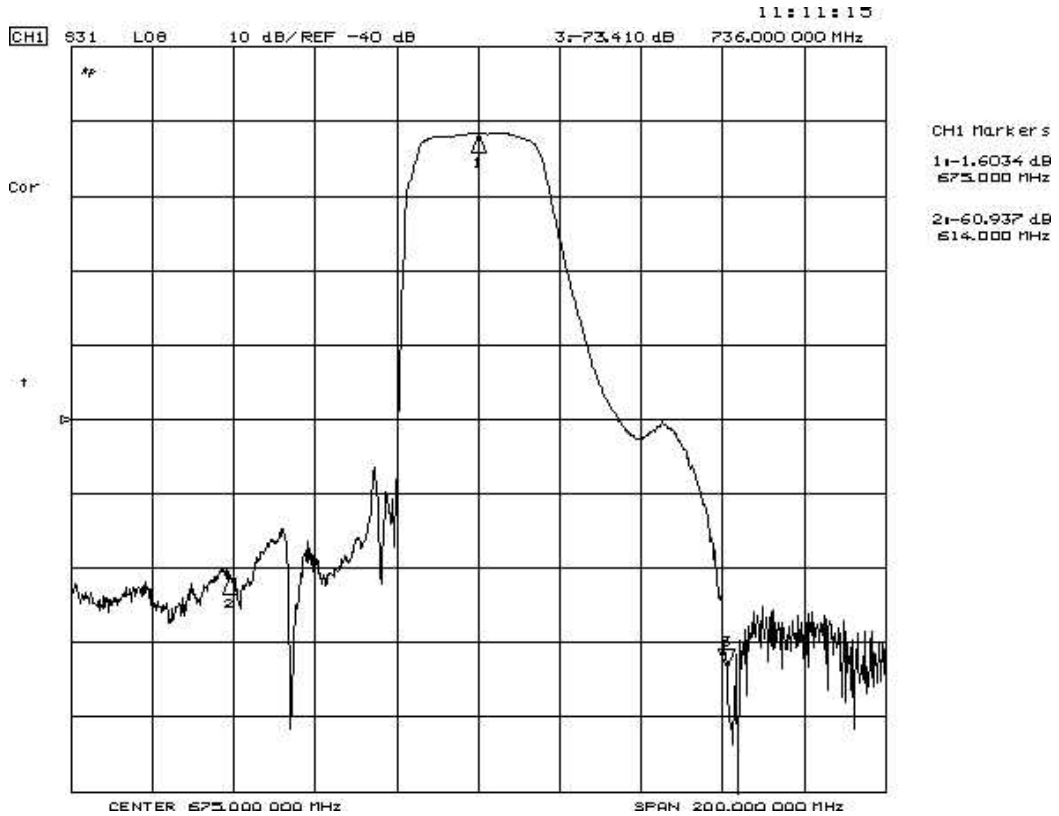
E. PCB Footprint:



SAW Filter 675.0MHz
Part No: MP01460

Model: TA0616A
REV. NO.: 3

F. FREQUENCY CHARACTERISTICS:

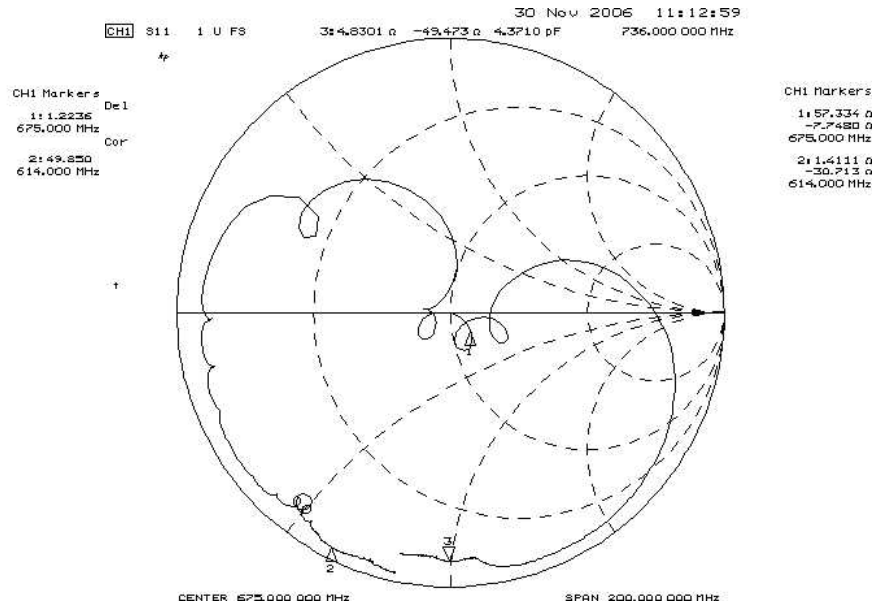
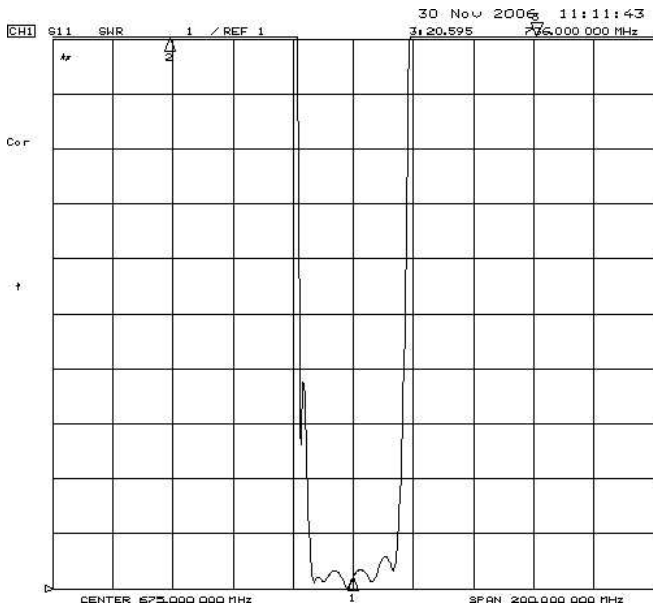


SAW Filter 675.0MHz
Part No: MP01460

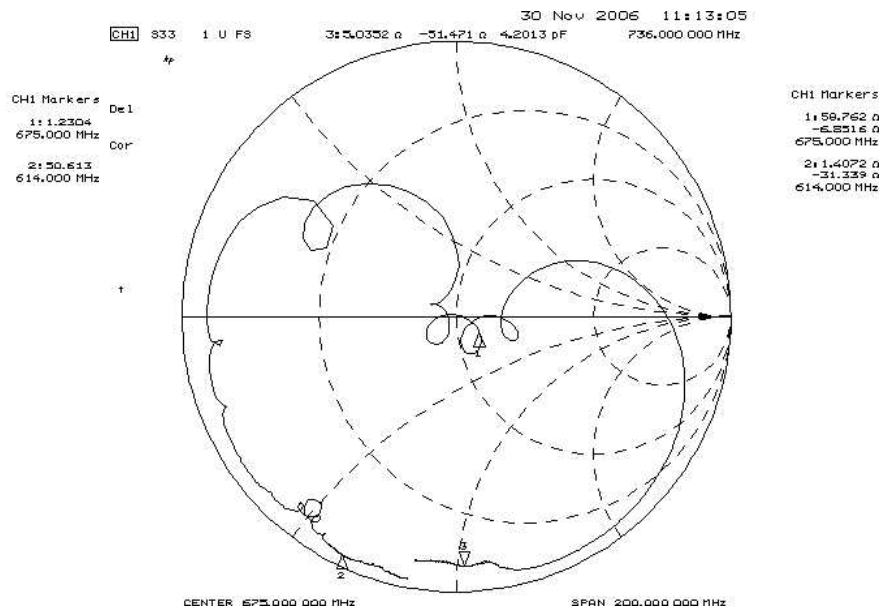
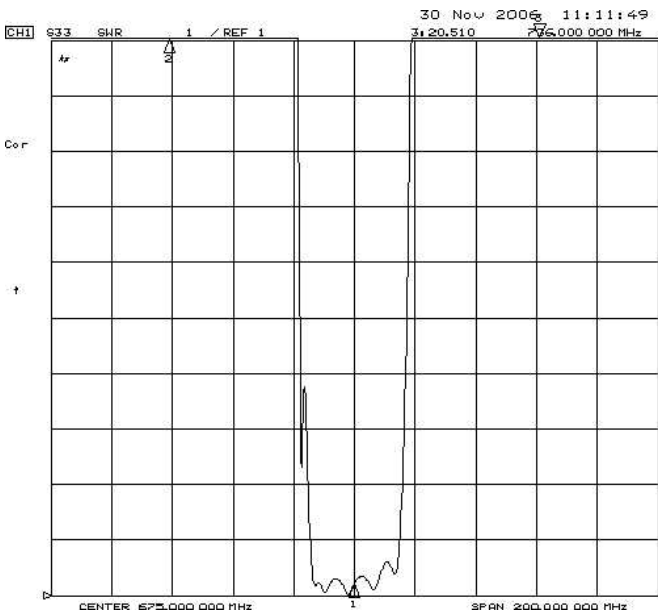
Model: TA0616A
REV. NO.: 3

Reflection Functions:

S11



S22



SAW Filter 675.0MHz

Model: TA0616A

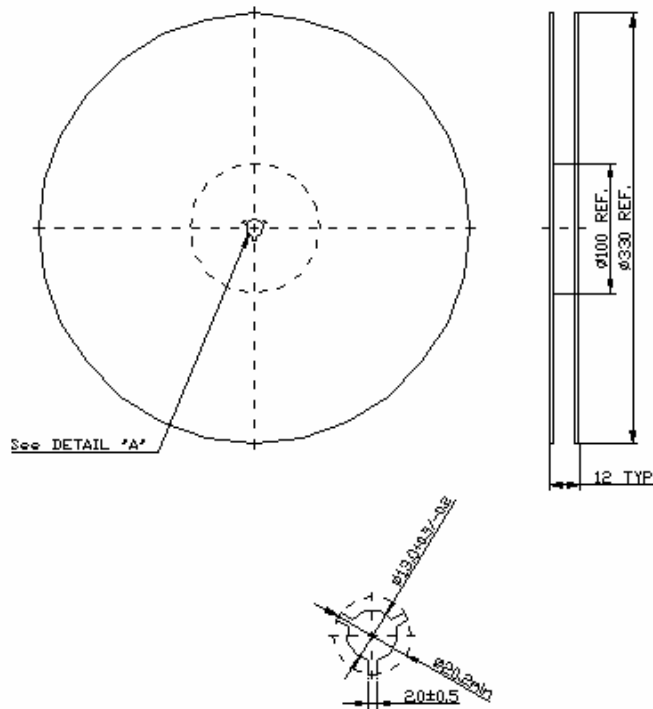
Part No: MP01460

REV. NO.: 3

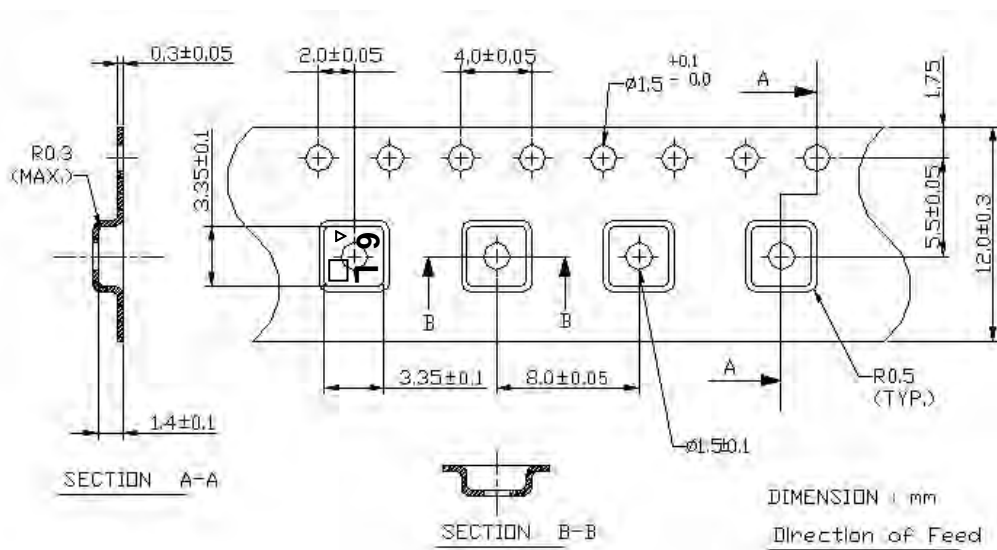
G. PACKING:

1. REEL DIMENSION

(Reel Count : 7"=1000 ; 13"=3000)



2.TAPE DIMENSION



SAW Filter 675.0MHz

Model: TA0616A

Part No: MP01460

REV. NO.: 3

H. RECOMMENDED REFLOW PROFILE :

