

SAW Filter 2535.0MHz
Part No: MP01539

Model: TA0795A
Rev. No: 2

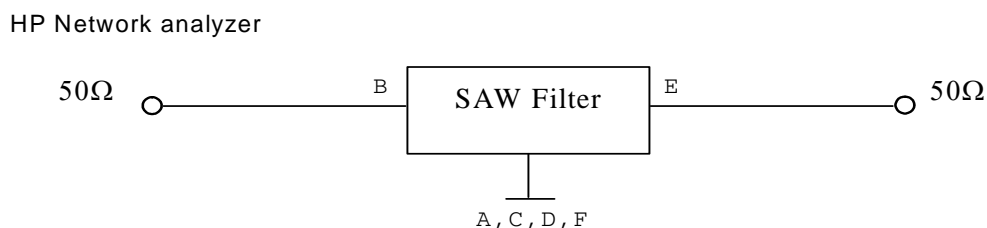
A. MAXIMUM RATING:

1. Input Power Level: 10dBm
2. DC Voltage: 3V
3. Operating Temperature: -20°C to +70°C
4. Storage Temperature: -40°C to +85°C

B. ELECTRICAL CHARACTERISTICS:

Item	Unit	Min.	Typ.	Max.	Note
Center Frequency Fc	MHz	-	2535	-	-
Insertion Loss (2500 ~ 2570MHz) IL	dB	-	2.2	3.6	-
Amplitude Ripple (2500 ~ 2570MHz)	dB	-	0.8	2.2	-
VSWR (2500 ~ 2570MHz)		-	2	2.2	-
Attenuation (Reference level from 0dB)					
DC ~ 2100MHz	dB	25	31	-	-
2100 ~ 2400MHz	dB	27	34.5	-	-
2650 ~ 4000MHz	dB	30	38	-	-
4000 ~ 5000MHz	dB	12	23	-	-

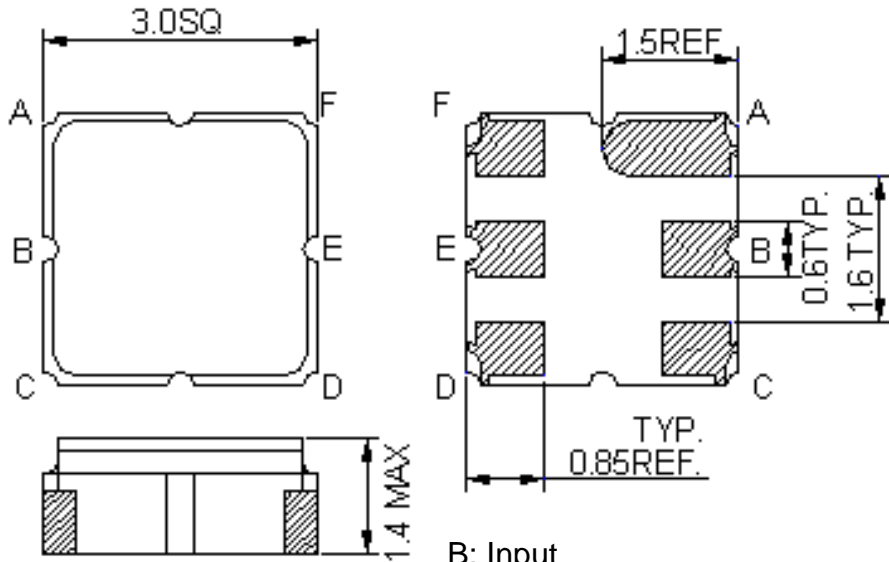
C. MEASUREMENT CIRCUIT:



SAW Filter 2535.0MHz
Part No: MP01539

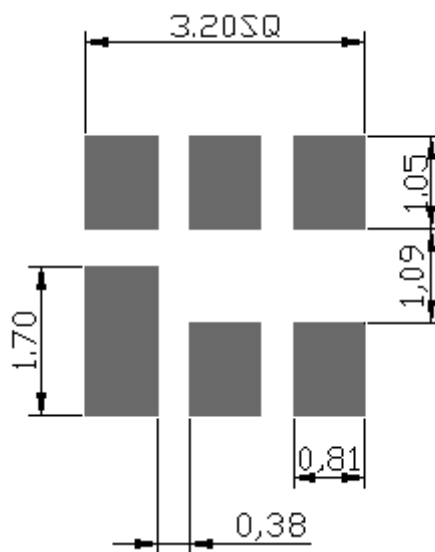
Model: TA0795A
Rev. No: 2

D. OUTLINE DRAWING:



B: Input
 E: Output
 A, C, D, F: Ground
 Unit: mm

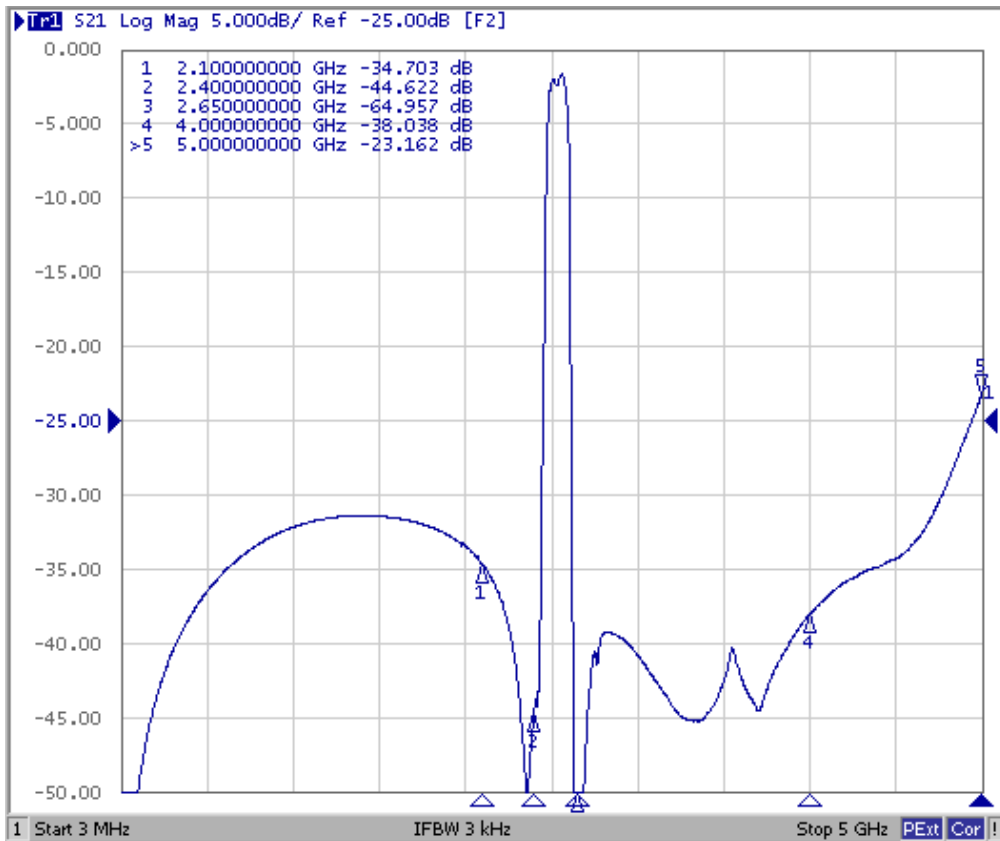
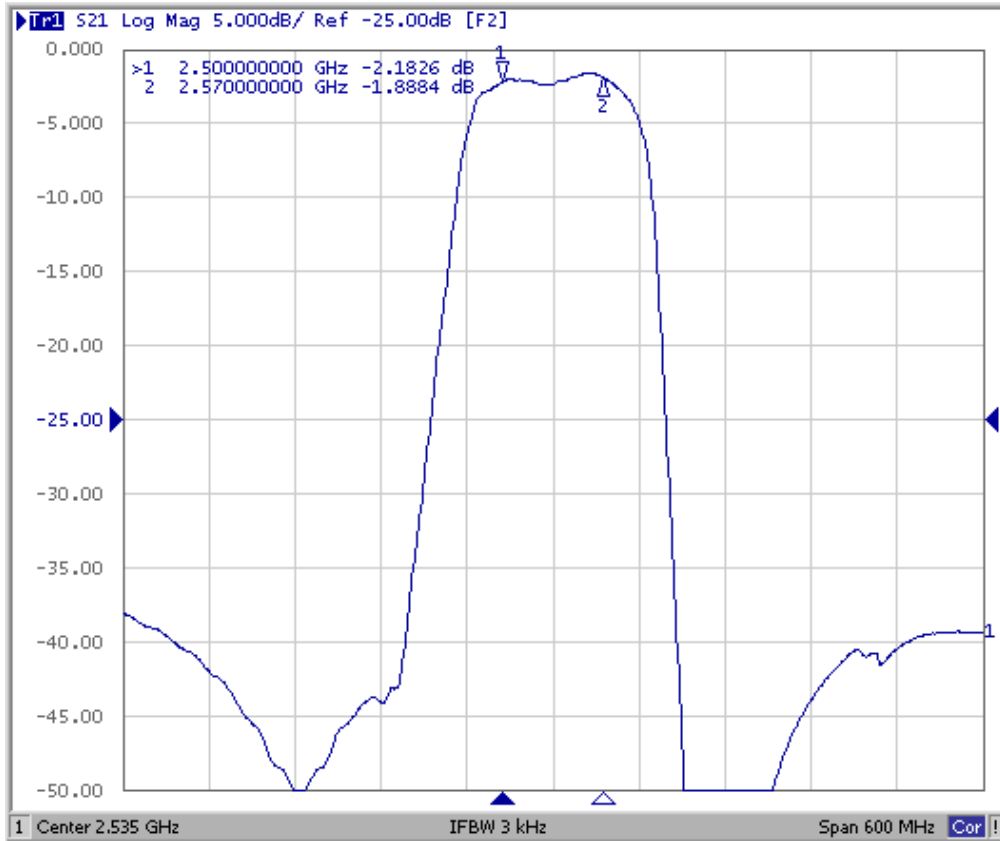
E. PCB FOOTPRINT:



SAW Filter 2535.0MHz
Part No: MP01539

Model: TA0795A
Rev. No: 2

F. FREQUENCY CHARACTERISTICS:

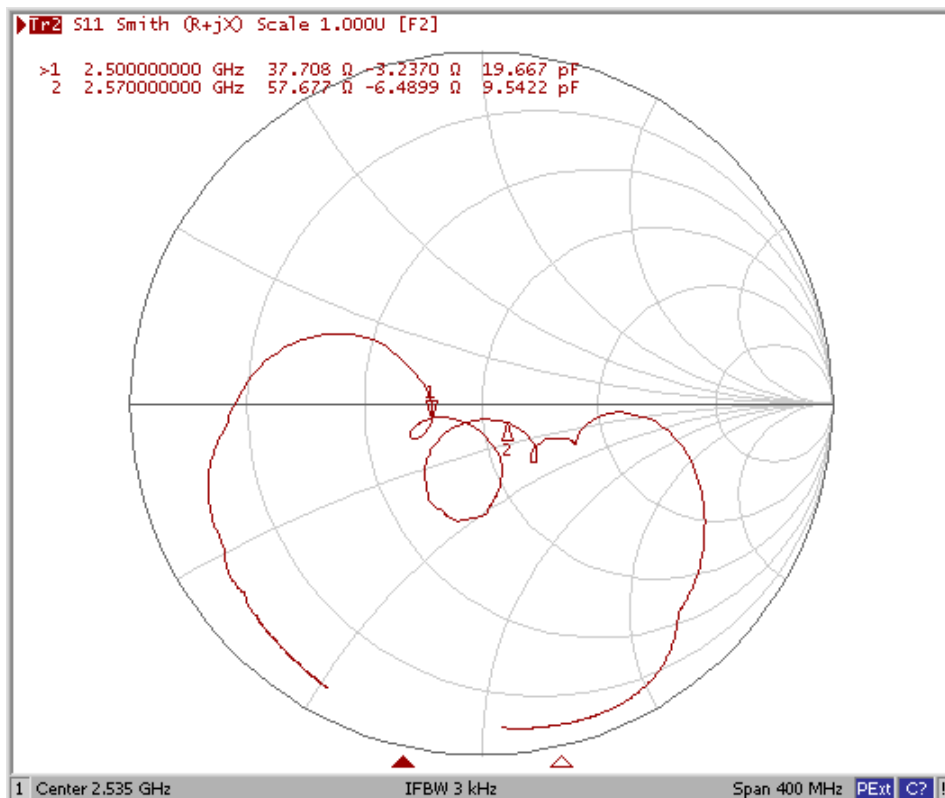
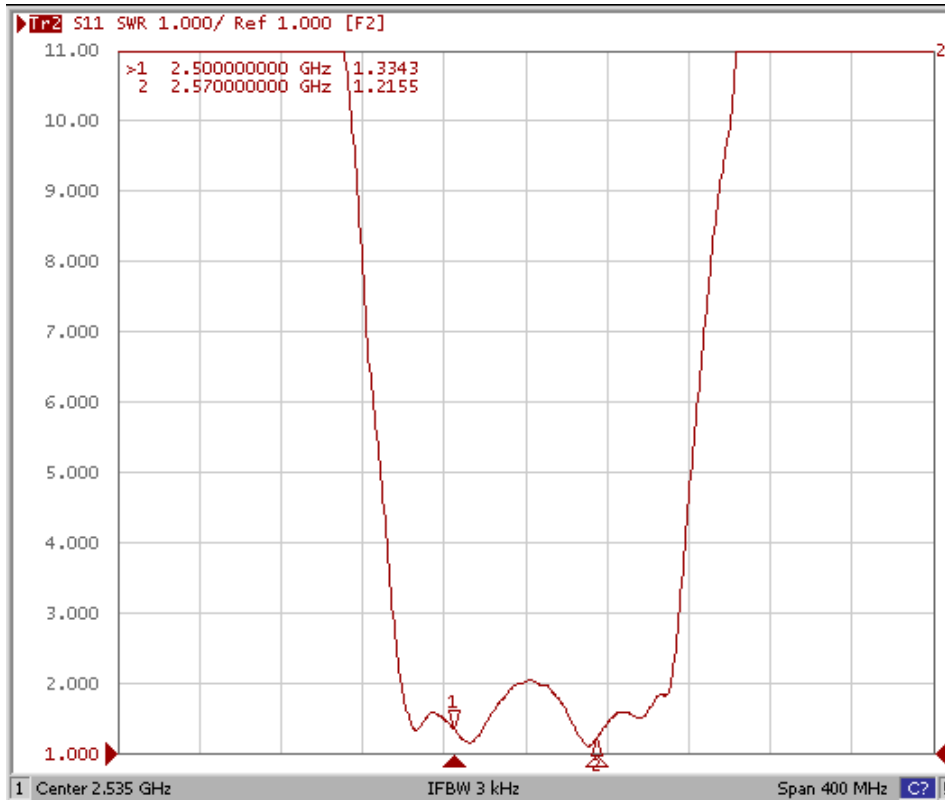


SAW Filter 2535.0MHz
Part No: MP01539

Model: TA0795A
Rev. No: 2

Reflection Functions

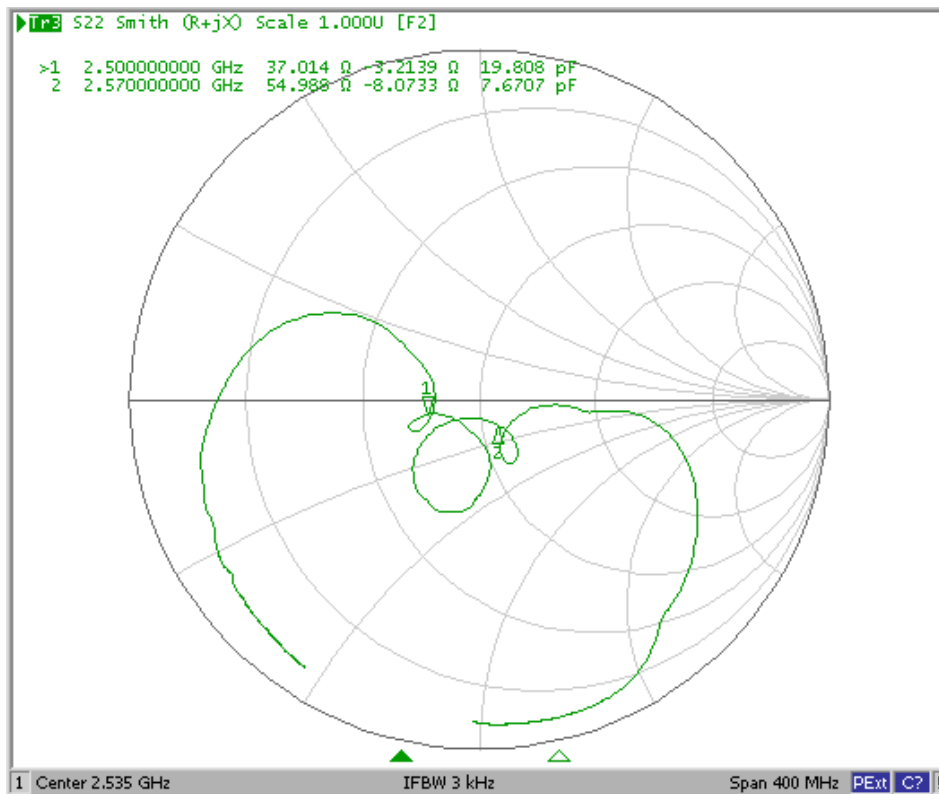
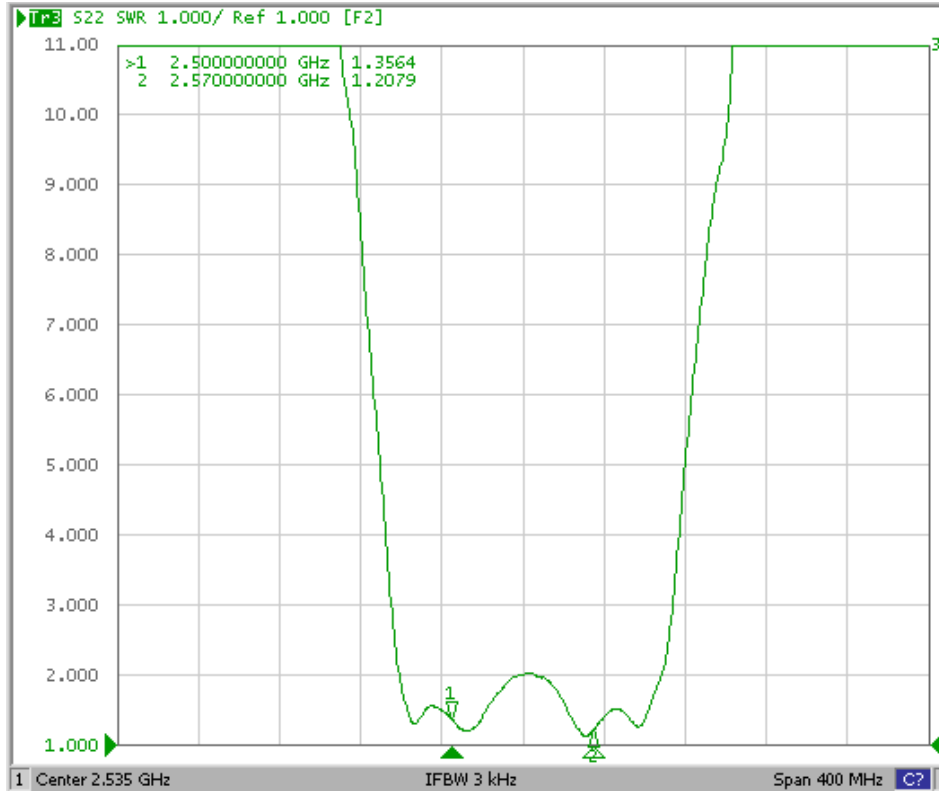
S11



SAW Filter 2535.0MHz
Part No: MP01539

Model: TA0795A
Rev. No: 2

S22

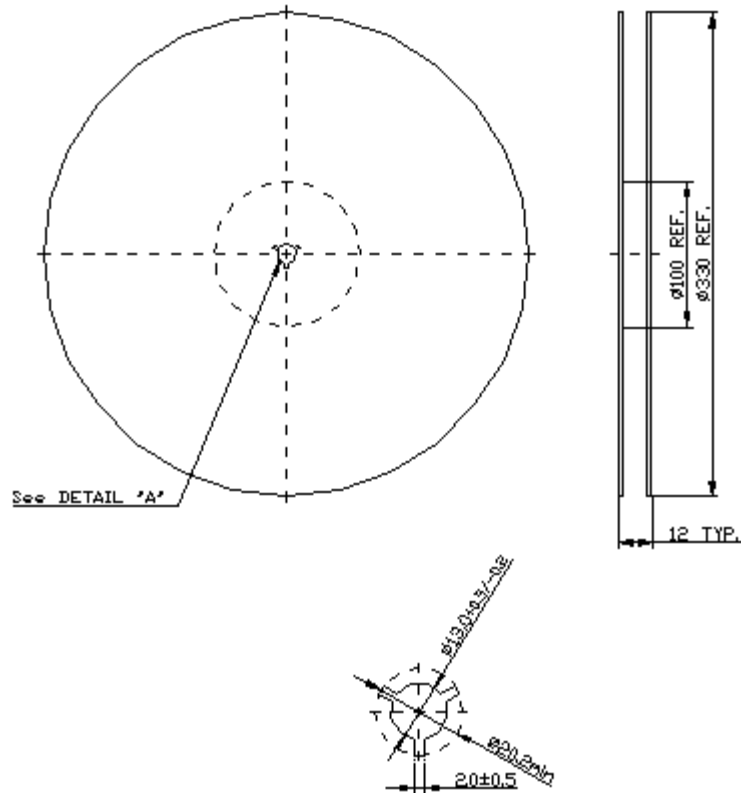


SAW Filter 2535.0MHz
Part No: MP01539

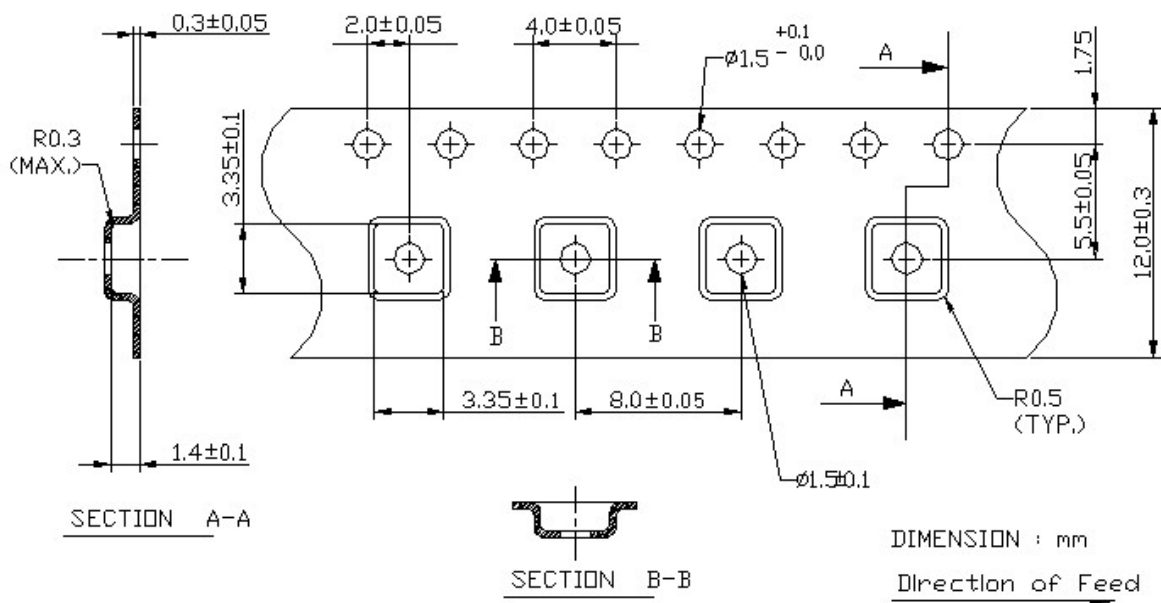
Model: TA0795A
Rev. No: 2

G. PACKING:

1. Reel Dimension (Reel Count: 7" = 1000; 13" = 3000)



2. Tape Dimension



SAW Filter 2535.0MHz
Part No: MP01539

Model: TA0795A
Rev. No: 2

H. RECOMMENDED REFLOW PROFILE:

