

**430.0MHz SAW Filter**

**Model: TA0655A**

**Part No: MP01687**

**REV NO.: 1**

**A. MAXIMUM RATING:**

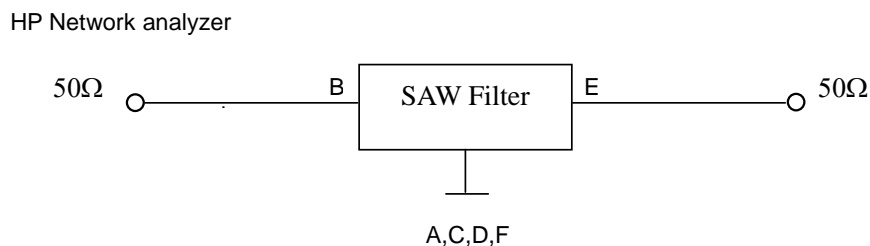
1. Input Power Level: 10 dBm
2. DC voltage: 3 V
3. Operating Temperature: -10°C to 60°C
4. Storage Temperature: -40°C to +85°C

**B. CHARACTERISTICS:**

Item	Min.	Typ.	Max.
Center frequency Fc MHz	-	430	-
Insertion loss 428.0 ~ 432.0 MHz IL (dB)	-	2.0	3.6
Amplitude ripple 428.0 ~ 432.0 MHz (dB)	-	0.5	1.5
VSWR 428.0 ~ 432.0 MHz (dB)	-	1.35	2.0
Group Delay Variation Fc±2MHz (ns)		80	
Absolute Group Delay at Fc (ns)	-	130	-
Attenuation (Reference level from 0dB )			
10 ~ 415 MHz (dB)	40	45	-
455 ~ 600 MHz (dB)	40	51	-
Source impedance Zs (Ω)	-	50	-
Load impedance ZL (Ω)	-	50	-
Temperature Coefficient	ppm/°C	-36	

Note1. No matching network required for operation at 50Ω

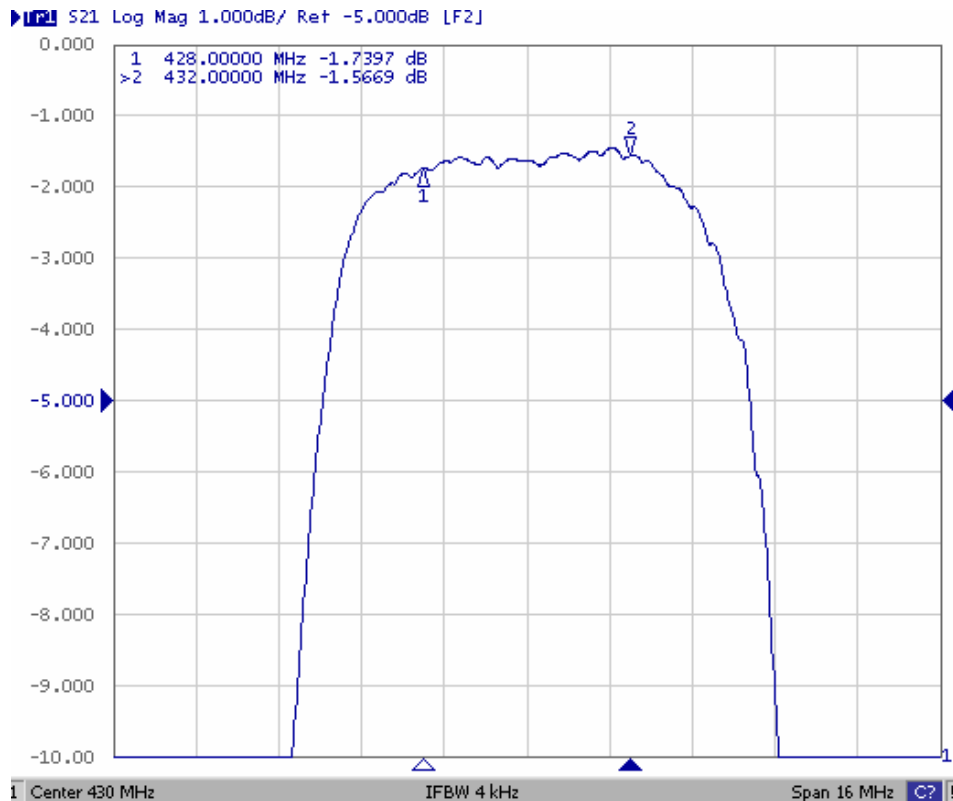
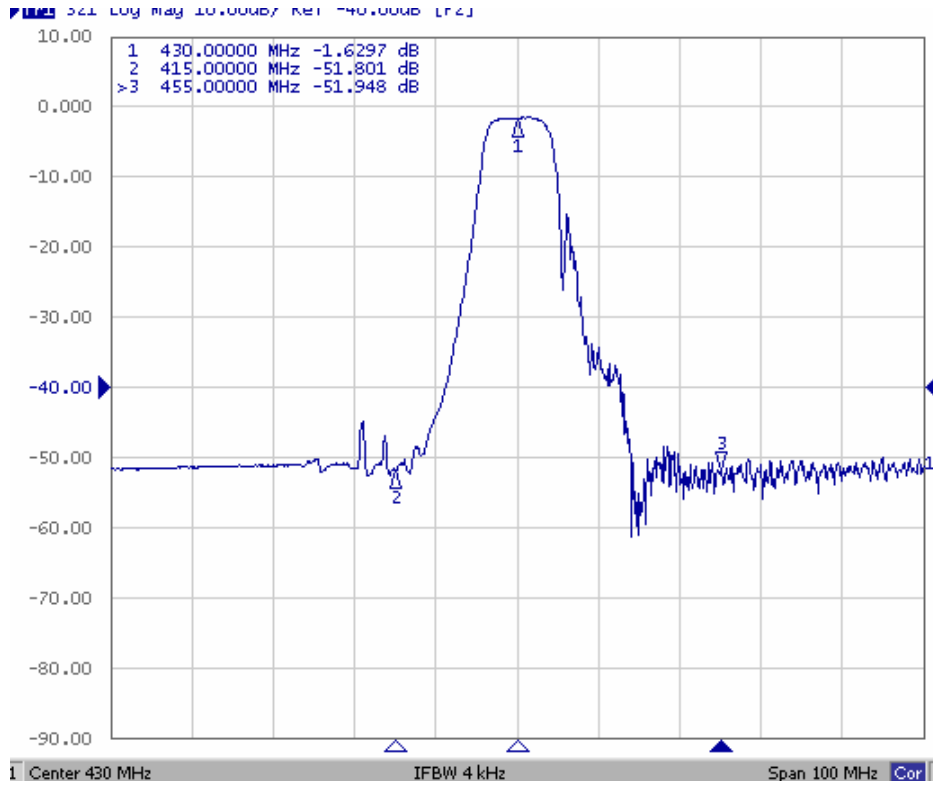
**C. MEASUREMENT CIRCUIT:**



**430.0MHz SAW Filter**  
**Part No: MP01687**

**Model: TA0655A**  
**REV NO.: 1**

**D. TRANSFER FUNCTION:**



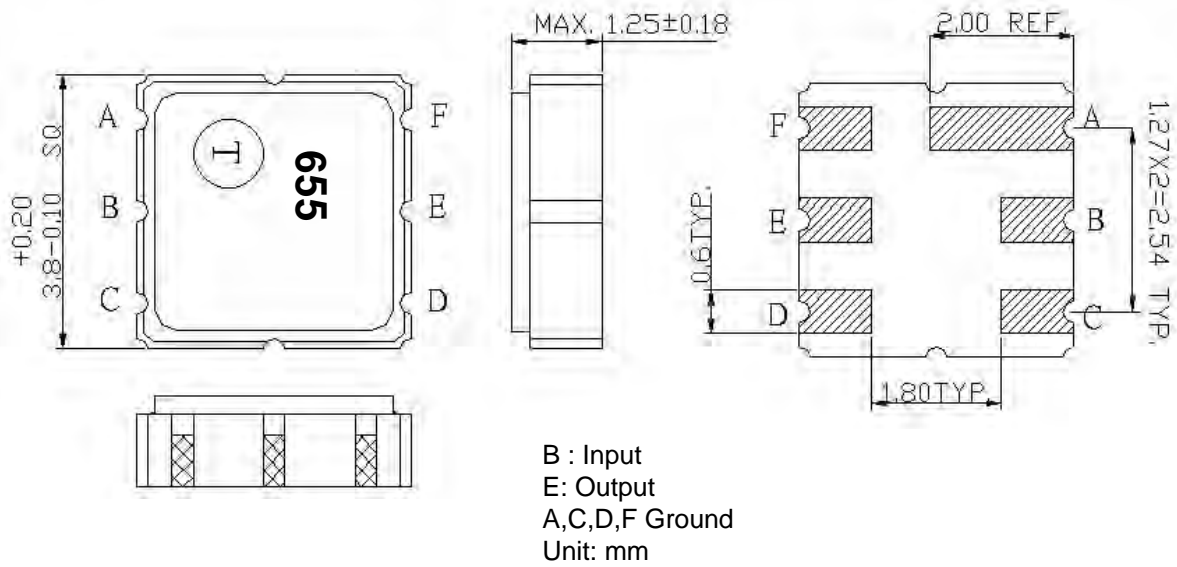
**430.0MHz SAW Filter**

**Model: TA0655A**

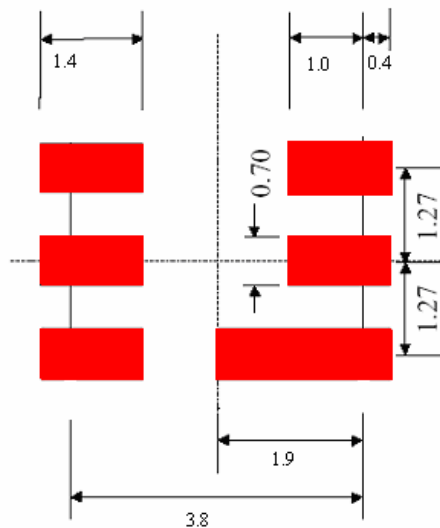
**Part No: MP01687**

**REV NO.: 1**

**E. OUTLINE DRAWING:**



**F. PCB FOOTPRINT:**

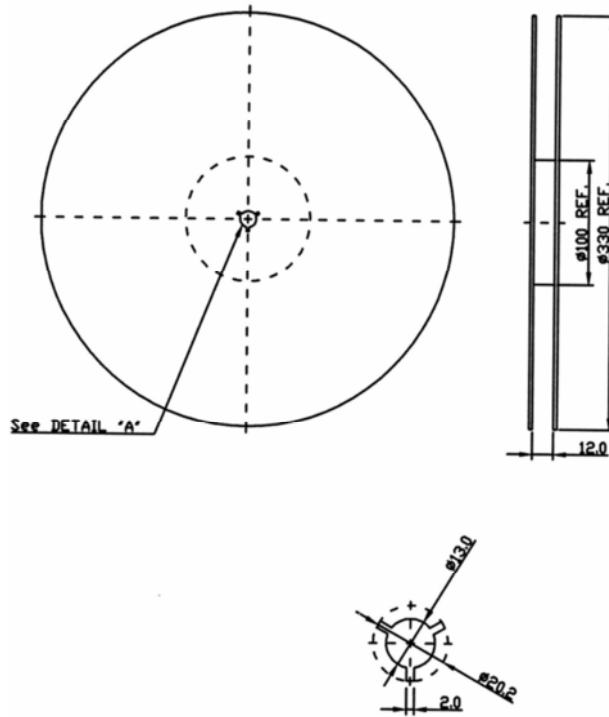


**430.0MHz SAW Filter**  
**Part No: MP01687**

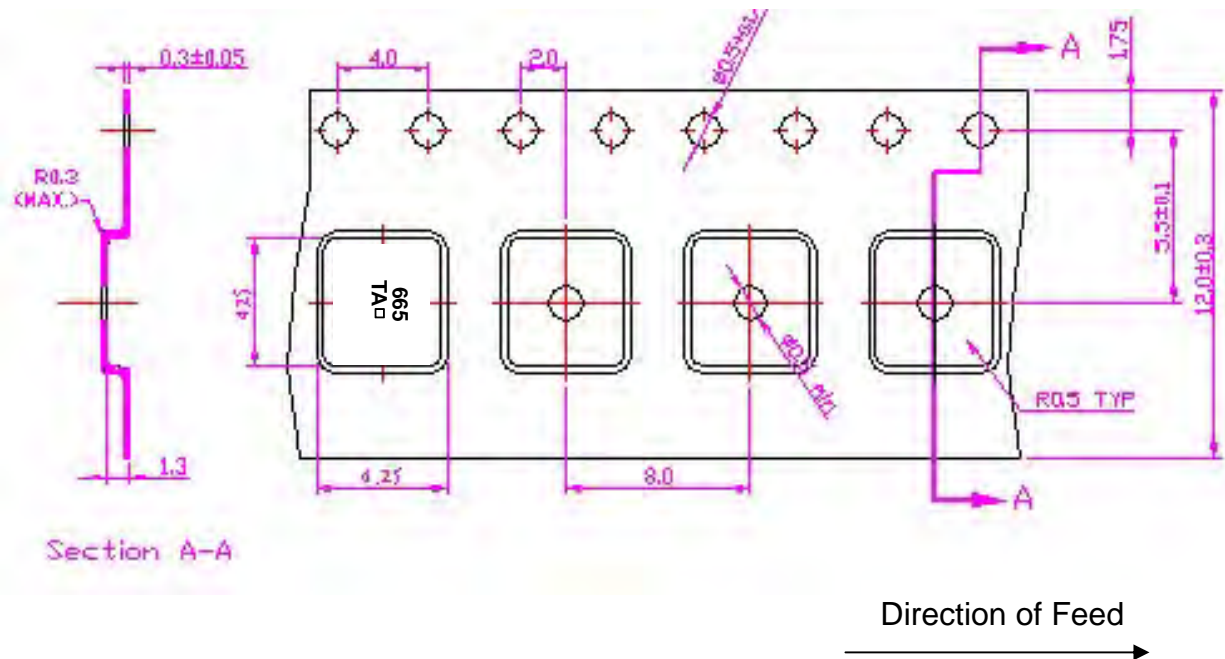
**Model: TA0655A**  
**REV NO.: 1**

**G. PACKING:**

**1. REEL DIMENSION**



**2. TAPE DIMENSION**



**430.0MHz SAW Filter**

**Model: TA0655A**

**Part No: MP01687**

**REV NO.: 1**

**H. REFLOW PROFILE:**

