

SAW Filter 757.50MHz
Part No: MP01717

Model: TA0822A
Rev No: 1

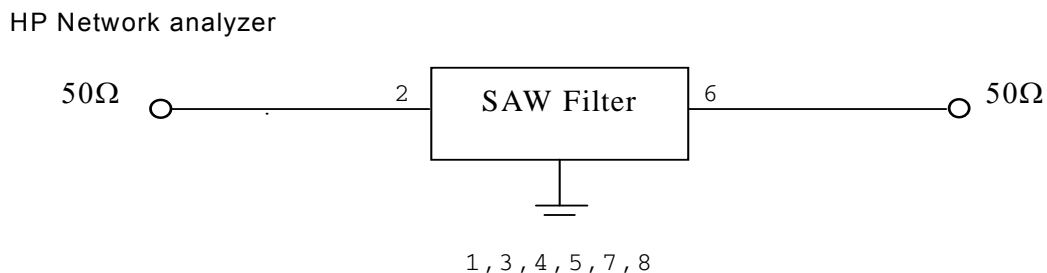
A. MAXIMUM RATING:

1. Input Power Level: 10dBm
2. DC voltage: 5V
3. Operating Temperature: -30°C to +70°C
4. Storage Temperature: -40°C to +85°C

B. ELECTRICAL CHARACTERISTICS:

Item	Unit	Min.	Typ.	Max.
Center frequency Fc	MHz	-	757.5	-
Insertion loss (757 ~ 758MHz) IL	dB	-	2.2	5
Amplitude ripple (757 ~ 758MHz)	dB	-	0.2	1.5
Return loss (757 ~ 758MHz)	dB	10	18	-
Group delay variation (757 ~ 758MHz)	ns	-	7	50
Attenuation (Reference level from 0dB)				
DC ~ 707MHz	dB	40	43.5	-
707 ~ 730MHz	dB	40	42	-
764 ~ 776MHz	dB	15	29	-
787 ~ 788MHz	dB	30	40	-
798 ~ 2000MHz	dB	40	48	-
Source impedance Z _S	Ω	-	50	-
Load impedance Z _L	Ω	-	50	-
Temperature Coefficient	ppm/°C	-	-36	-

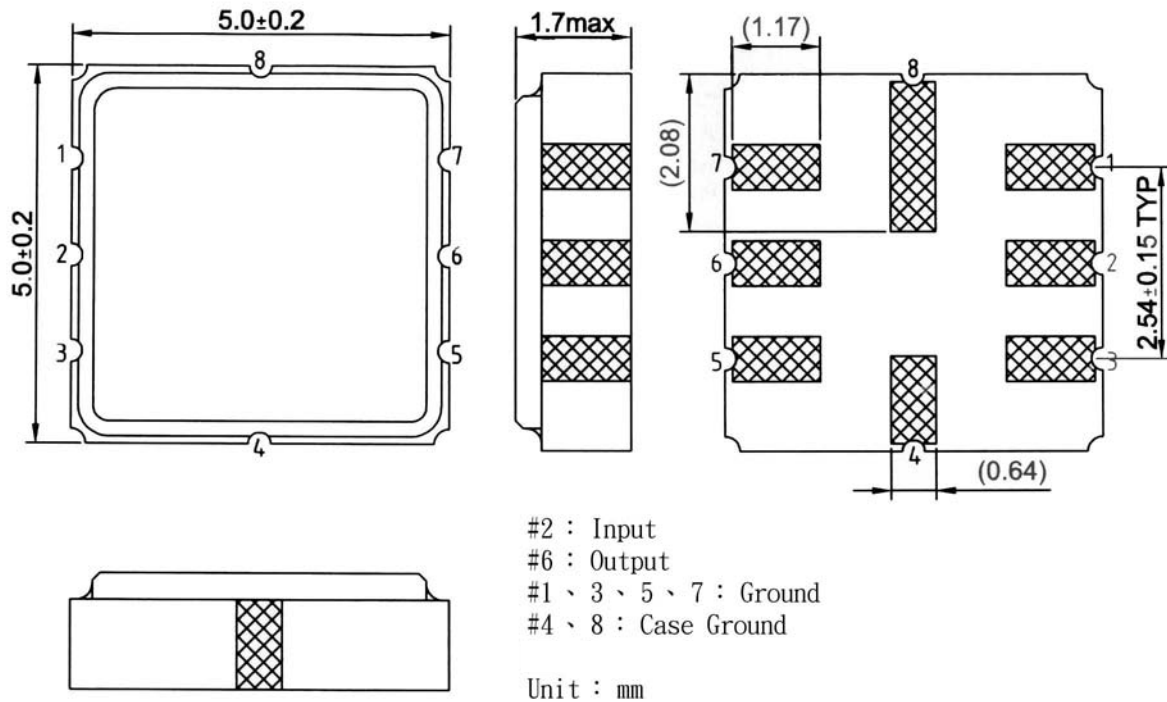
C. MEASUREMENT CIRCUIT:



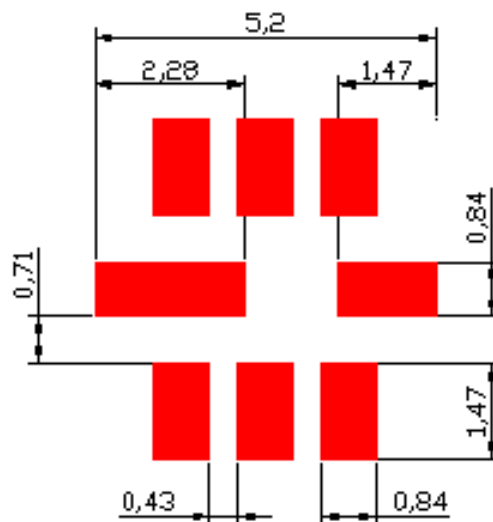
SAW Filter 757.50MHz
Part No: MP01717

Model: TA0822A
Rev No: 1

D. OUTLINE DRAWING:



E. PCB FOOTPRINT:

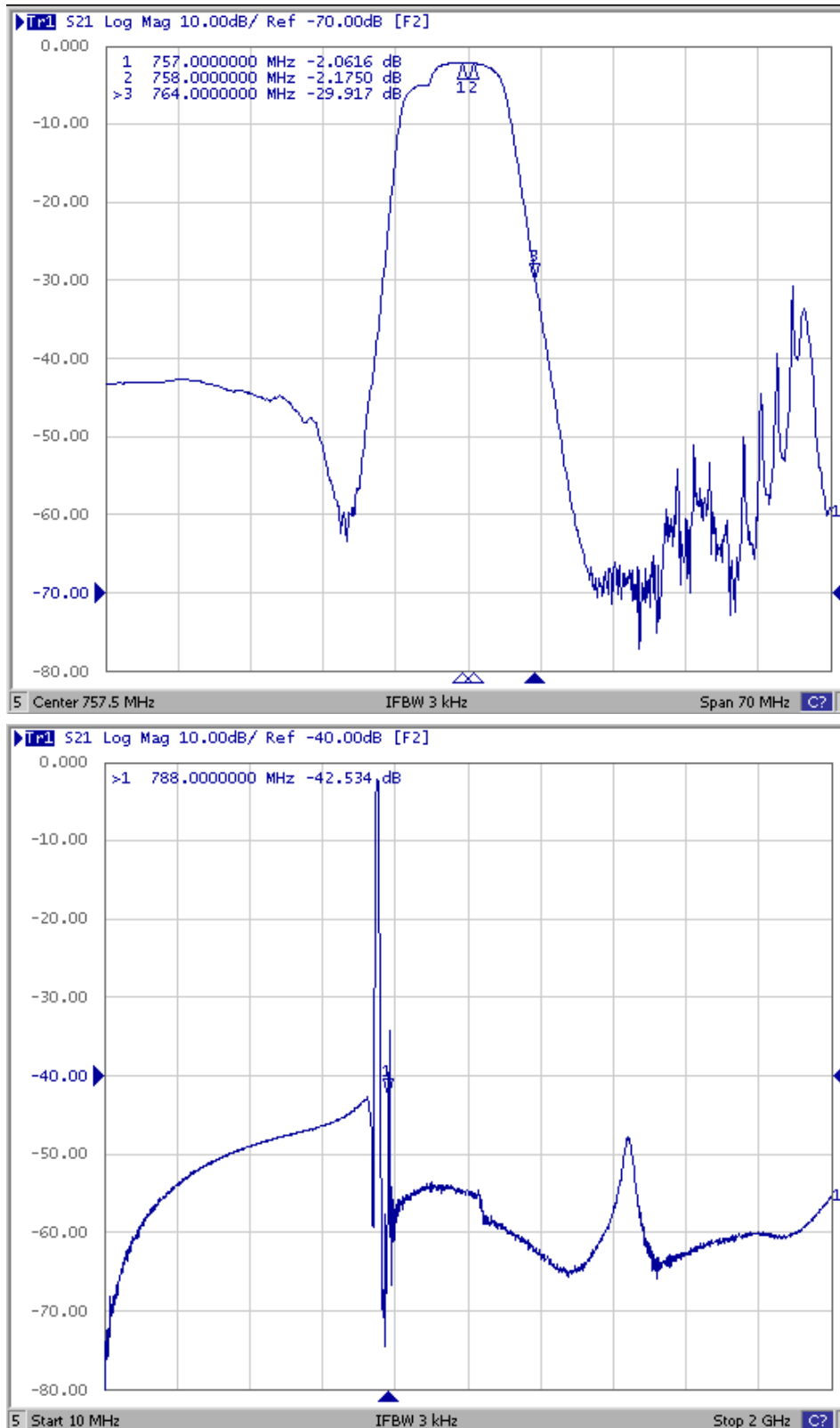


SAW Filter 757.50MHz
Part No: MP01717

Model: TA0822A
Rev No: 1

F. FREQUENCY CHARACTERISTICS:

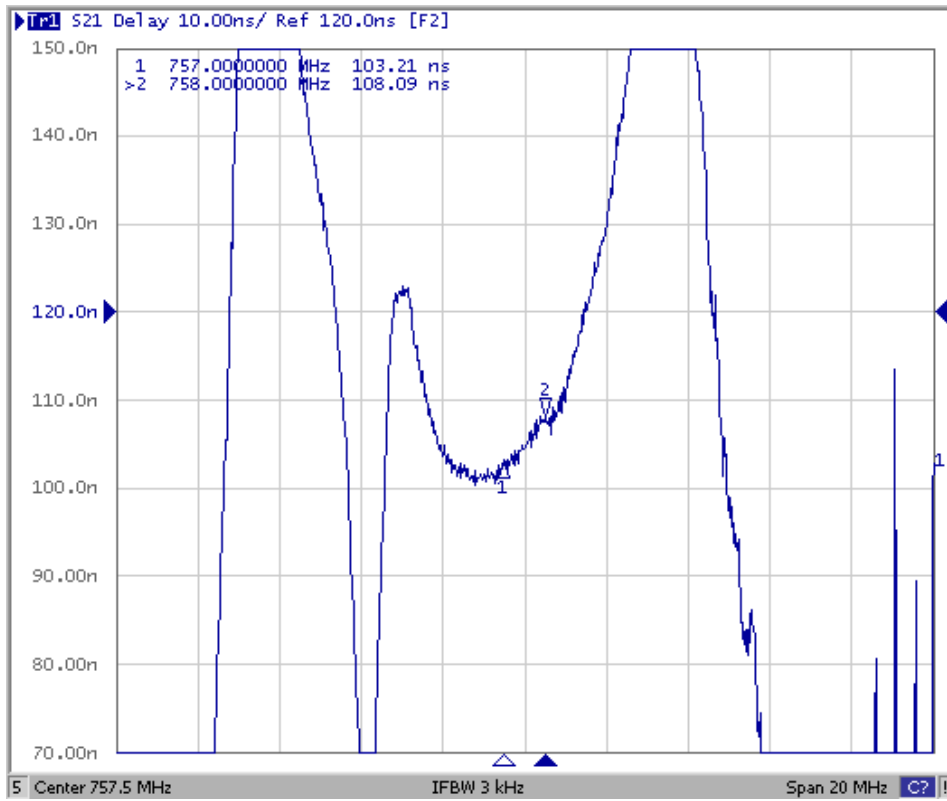
1. Transfer function



SAW Filter 757.50MHz
Part No: MP01717

Model: TA0822A
Rev No: 1

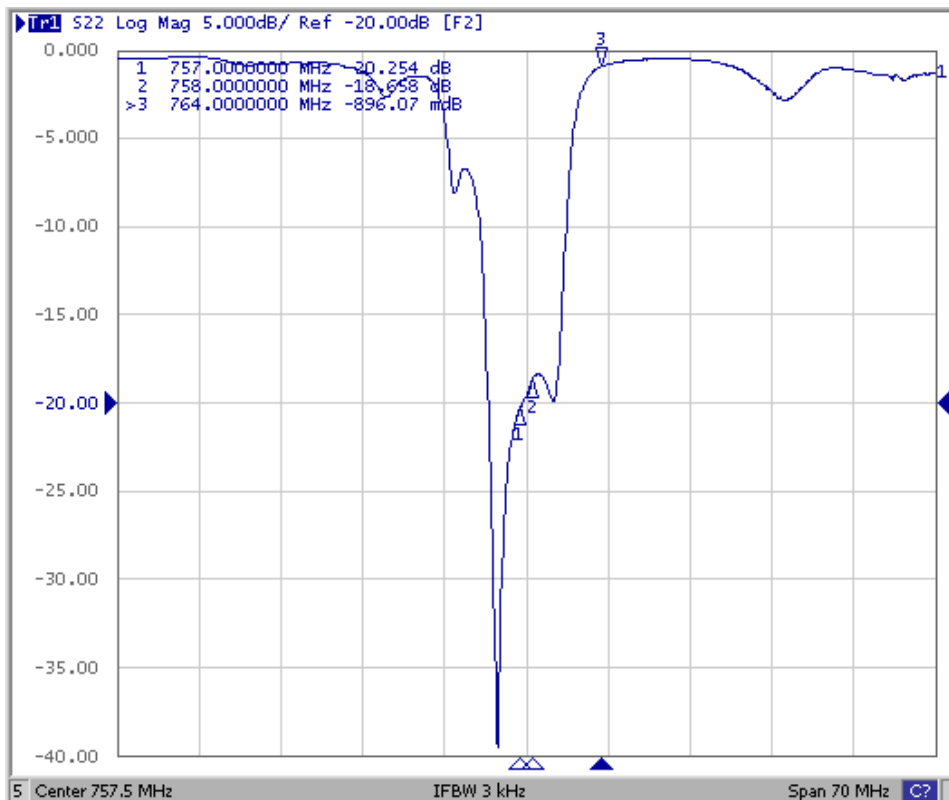
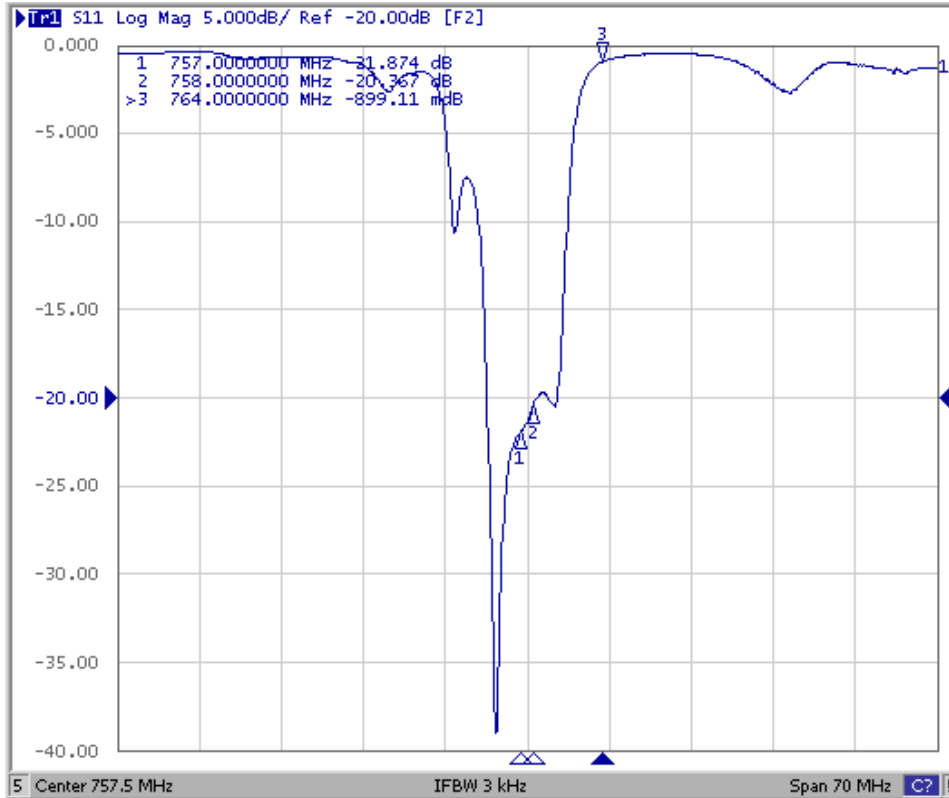
2. Group Delay



SAW Filter 757.50MHz
Part No: MP01717

Model: TA0822A
Rev No: 1

3. Reflection Functions

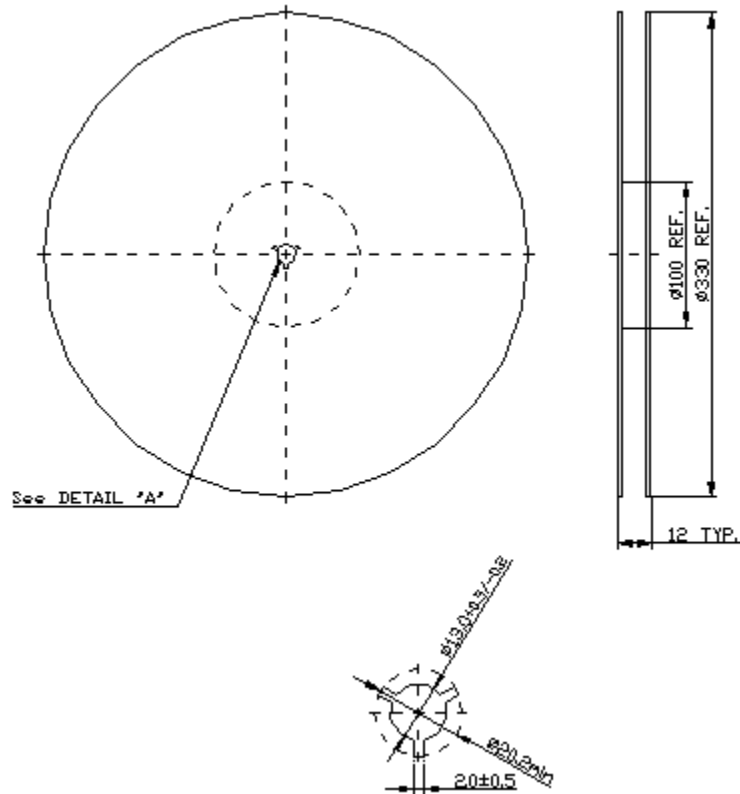


SAW Filter 757.50MHz
Part No: MP01717

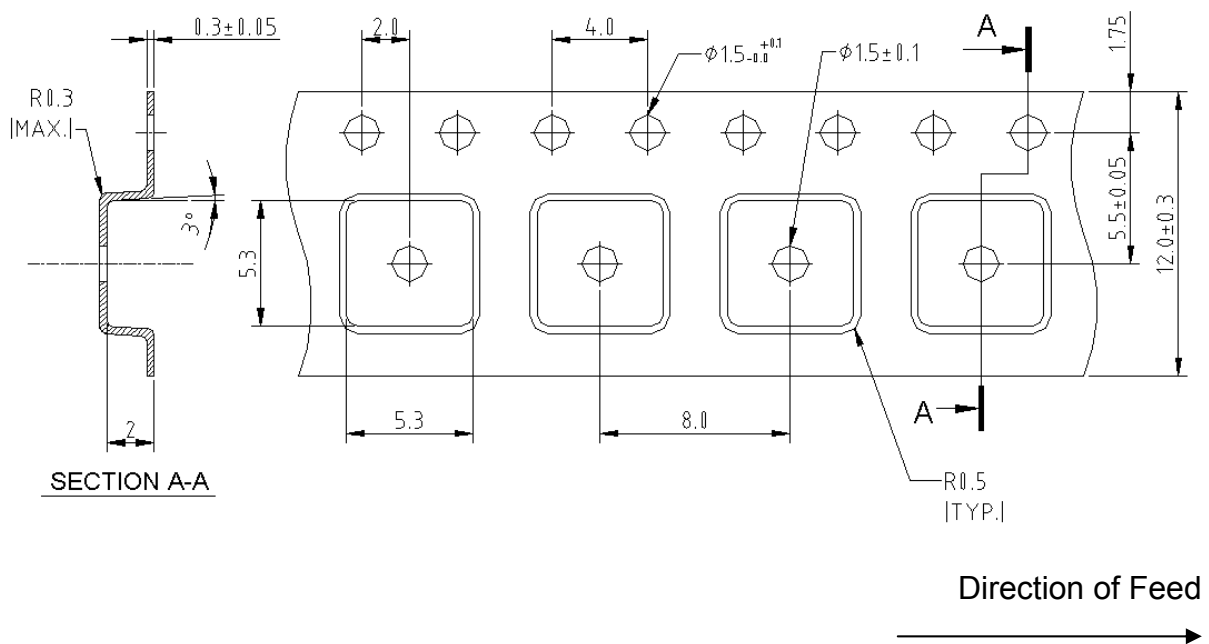
Model: TA0822A
Rev No: 1

G. PACKING:

1. Reel Dimension



2. Tape Dimension



SAW Filter 757.50MHz
Part No: MP01717

Model: TA0822A
Rev No: 1

H. RECOMMENDED REFLOW PROFILE:

