

**SAW Filter 480.0MHz**  
**Part No: MP01780**

**Model: TB0561A**  
**Rev. No: 2**

**A. MAXIMUM RATINGS:**

1. Input Power Level: 10dBm
2. Operating Temperature: -40°C ~ 85°C
3. Storage Temperature: -40°C to 85°C

**B. ELECTRICAL CHARACTERISTICS:**

Ambient Temperature: 25°C

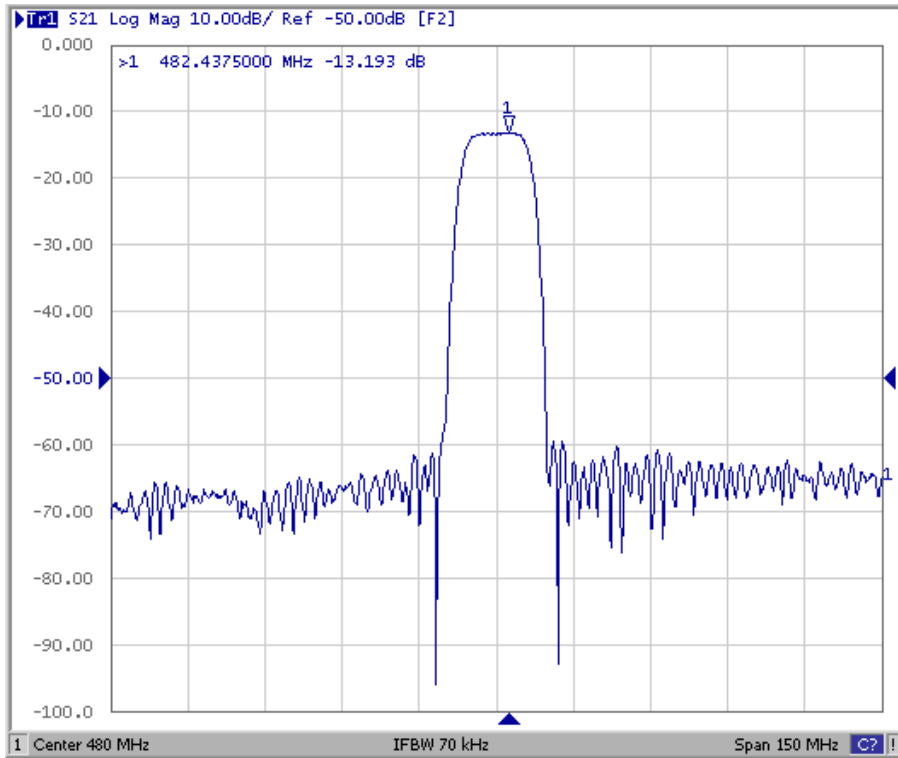
Characteristics	Min.	Typ.	Max.	Note
Center frequency Fc MHz	-	480	-	-
Minimum Insertion loss IL dB	-	13.1	14	-
1dB Bandwidth MHz	9.0	10.6	-	-
3dB Bandwidth MHz	10.0	12.5	-	-
40dB Bandwidth MHz	-	19.3	22.0	-
Return Loss dB	10	12		
Amplitude Ripple (475.25 ~ 484.25MHz) dB P-P	-	0.5	1.0	-
Phase Linearity (475.25 ~ 484.25MHz) deg P-P	-	5.0	-	-
Group Delay Ripple (475.25 ~ 484.25MHz) ns P-P	-	35	75	-
Attenuation (Reference level from Min. insertion loss)				
10 ~ 220MHz dB	50	64	-	-
220 ~ 400MHz dB	40	53	-	-
400 ~ 468MHz dB	40	47	-	-
490 ~ 550MHz dB	40	47	-	-

**SAW Filter 480.0MHz**  
**Part No: MP01780**

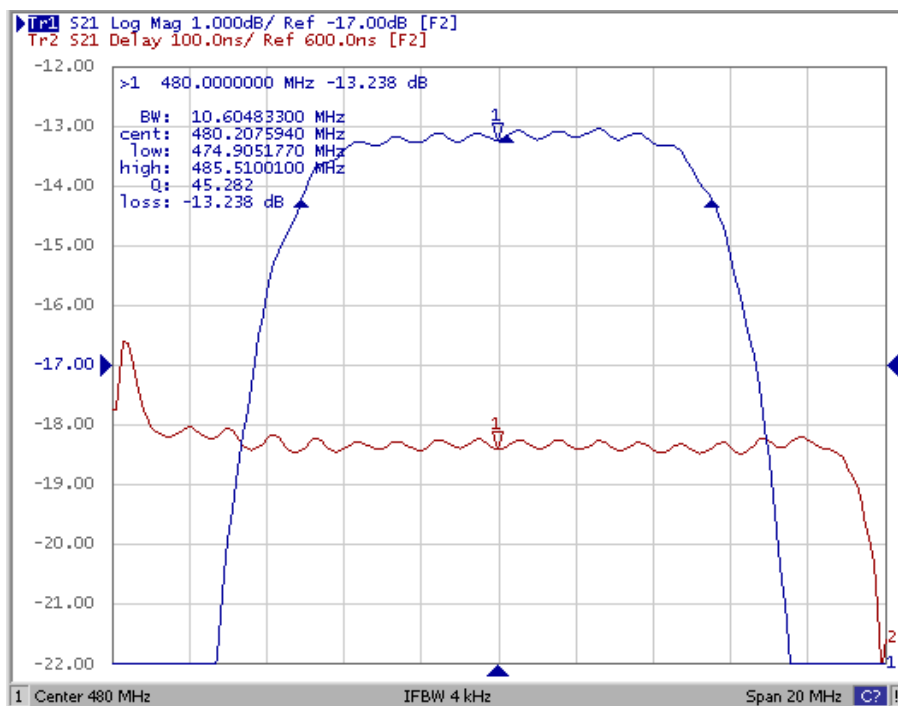
**Model: TB0561A**  
**Rev. No: 2**

**C. FREQUENCY CHARACTERISTICS:**

1. S21 Response: (span 150MHz)



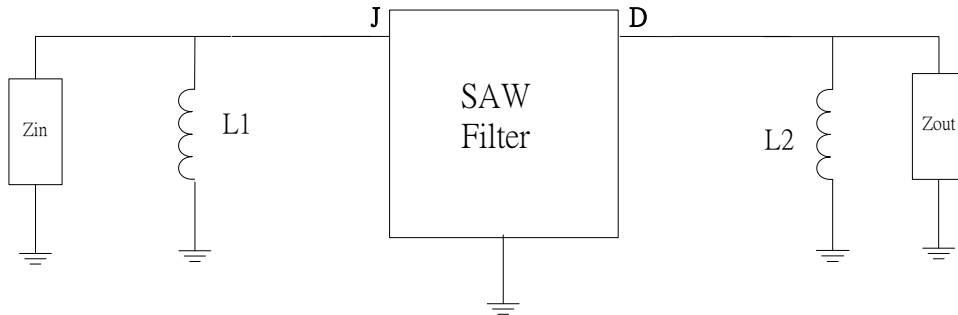
2. Passband Response: (span 20MHz)



**SAW Filter 480.0MHz**  
**Part No: MP01780**

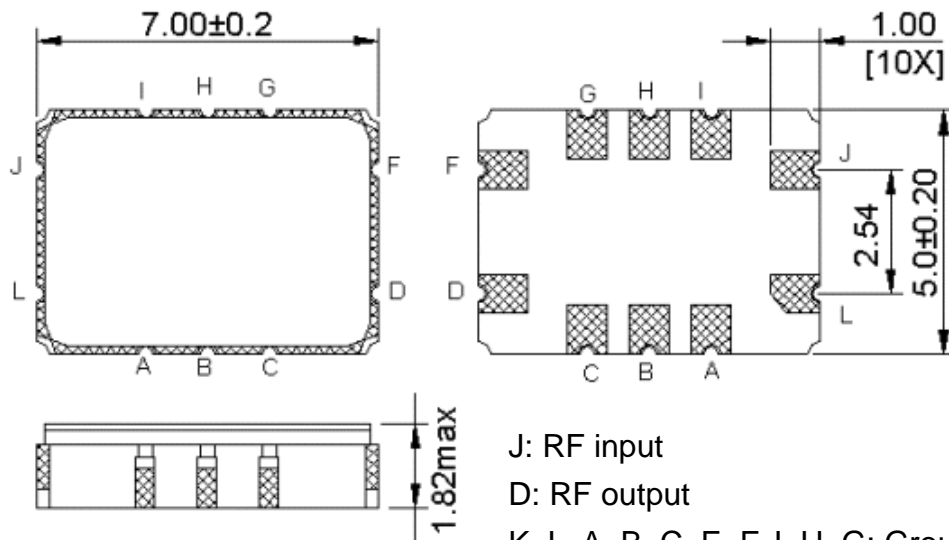
**Model: TB0561A**  
**Rev. No: 2**

**D. TEST CIRCUIT:**



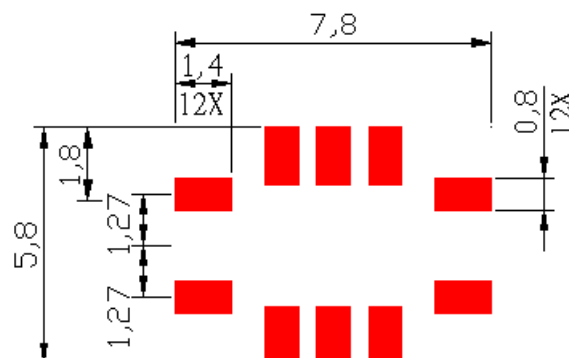
$$Z_{IN} = Z_{OUT} = 50\text{ohm}, L1 = 10\text{nH}, L2 = 10\text{nH}$$

**E. OUTLINE DRAWING:**



J: RF input  
 D: RF output  
 K, L, A, B, C, E, F, I, H, G: Ground  
 Unit: mm

**F. PCB FOOTPRINT:**

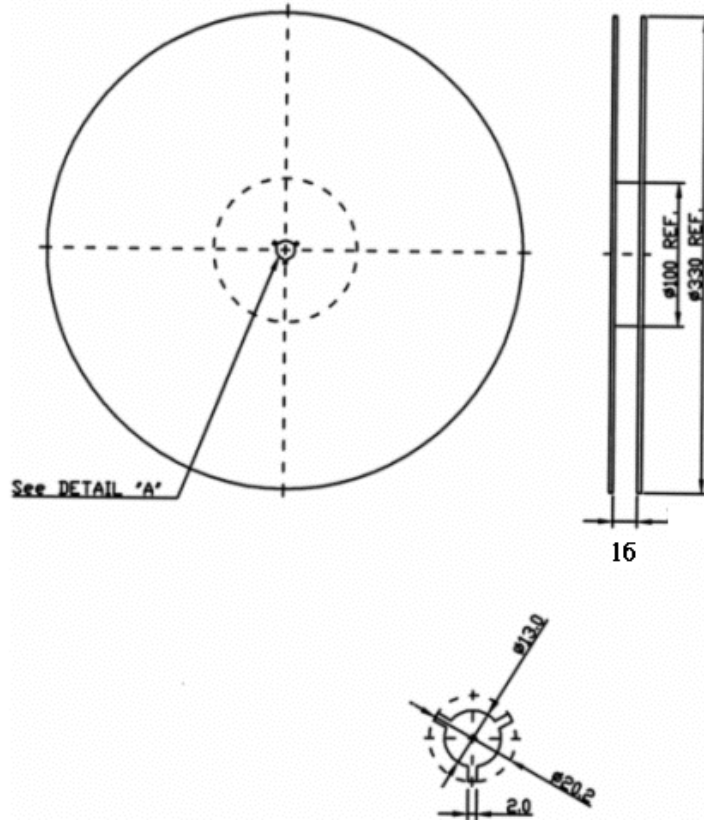


**SAW Filter 480.0MHz**  
**Part No: MP01780**

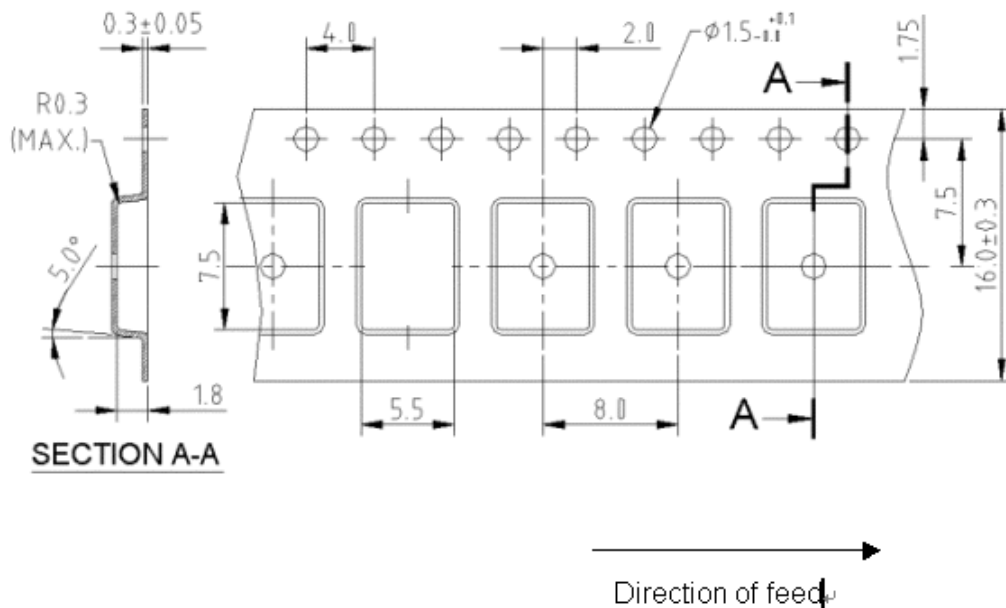
**Model: TB0561A**  
**Rev. No: 2**

**G. PACKING:**

1. Reel Dimension (Please refer to FR-75D10 for packing quantity)



2. Tape Dimension



---

**SAW Filter 480.0MHz**  
**Part No: MP01780**

**Model: TB0561A**  
**Rev. No: 2**

---

**H. RECOMMENDED REFLOW PROFILE:**

