

SAW Filter 448.0 MHz
Part No: MP01854

Model: TA0709A
Rev No: 1

A. MAXIMUM RATING:

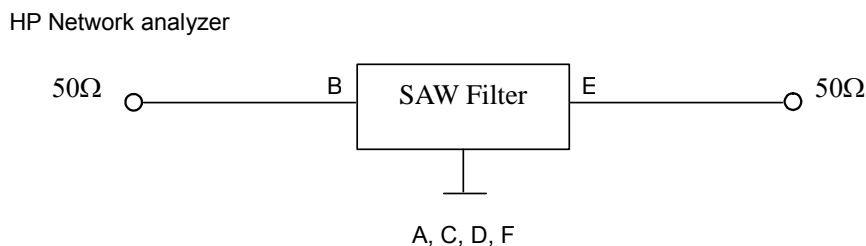
1. Input Power Level: 10dBm
2. DC voltage: 3V
3. Operating Temperature: -10°C to 60°C
4. Storage Temperature: -30°C to +85°C

B. CHARACTERISTICS:

Item	Unit	Min.	Typ.	Max.
Center frequency F_c	MHz	-	448	-
Insertion loss $F_c \pm 1.5\text{MHz}$ IL	dB	-	2.0	4.0
Amplitude ripple $F_c \pm 1.5\text{ MHz}$	dB	-	0.5	2.0
Attenuation (Reference level from 0dB)				
$F_c -44.3 \sim F_c -41.3\text{MHz}$	dB	45	51	-
$F_c +41.3 \sim F_c +44.3\text{MHz}$	dB	45	49	-
Source impedance Z_S	Ω	-	50	-
Load impedance Z_L	Ω	-	50	-

Note: No matching network required for operation at 50 Ω

C. MEASUREMENT CIRCUIT:

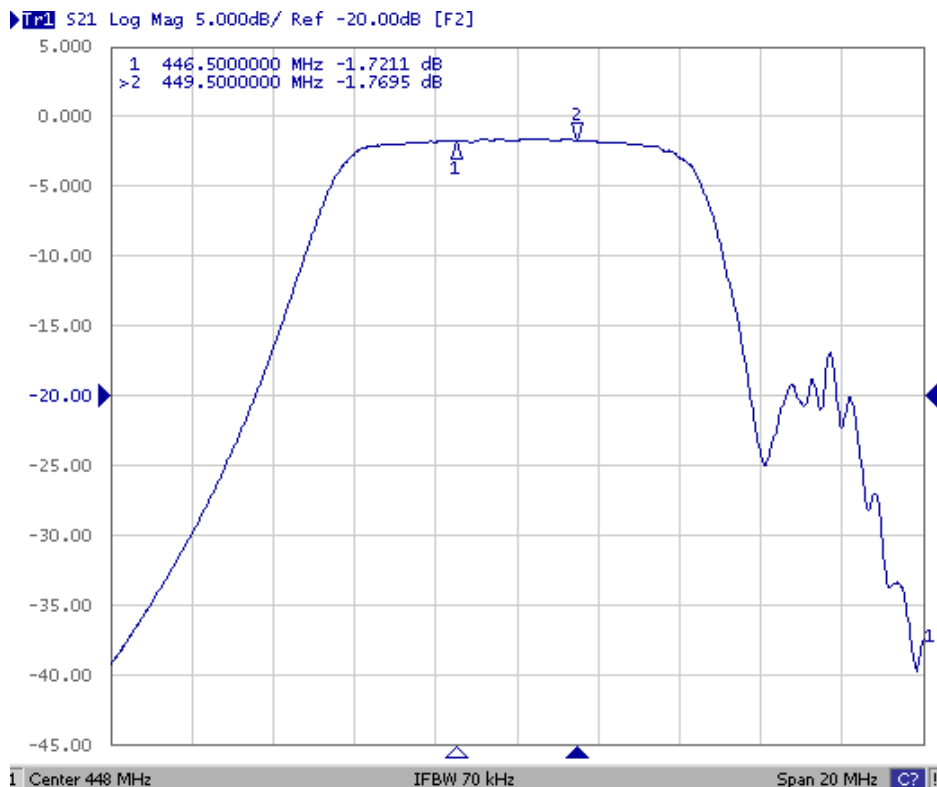
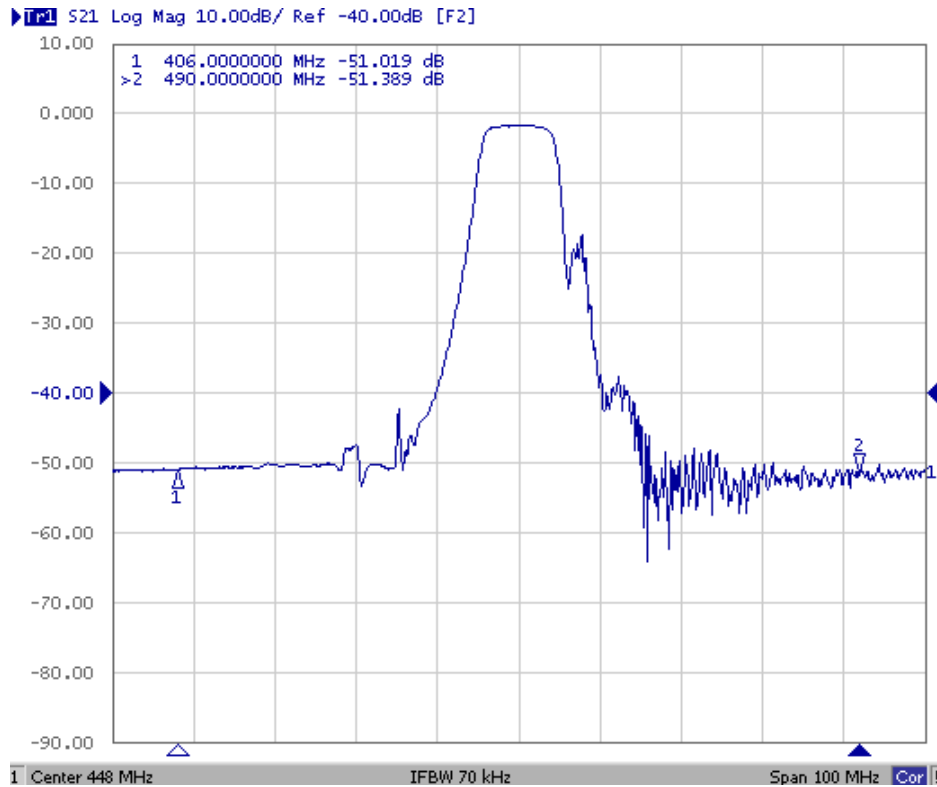


SAW Filter 448.0 MHz
Part No: MP01854

Model: TA0709A
Rev No: 1

D. FREQUENCY CHARACTERISTICS:

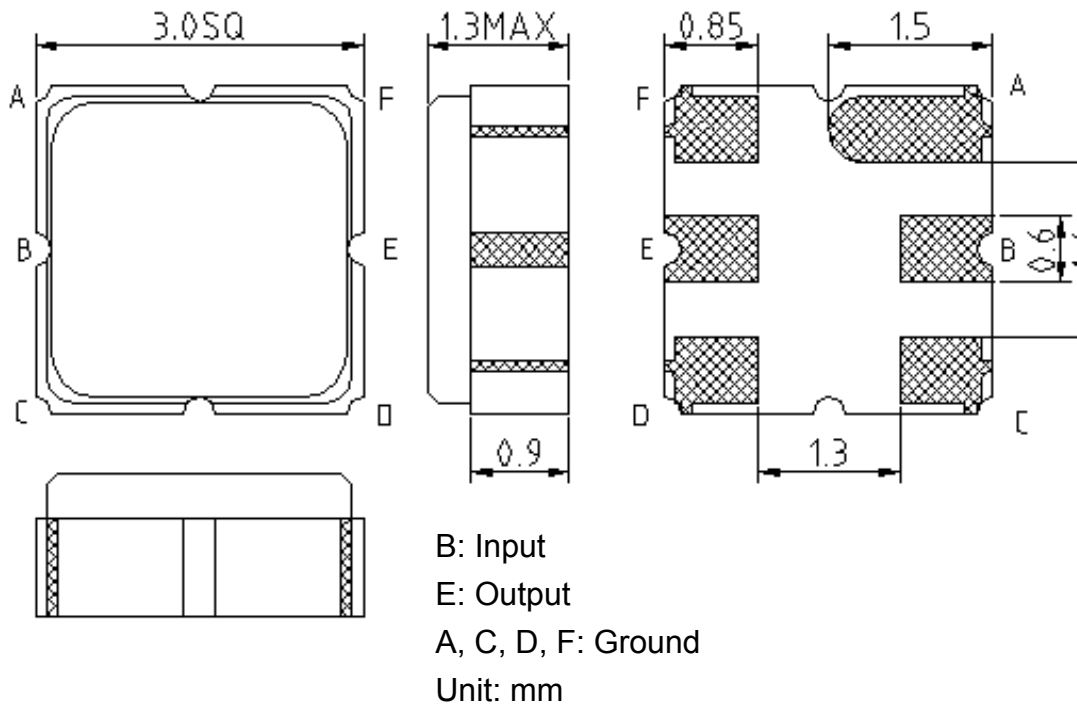
Transfer Function



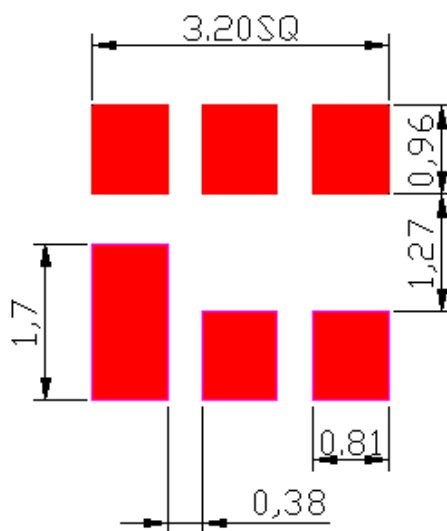
SAW Filter 448.0 MHz
Part No: MP01854

Model: TA0709A
Rev No: 1

E. OUTLINE DRAWING:



F. PCB FOOTPRINT:

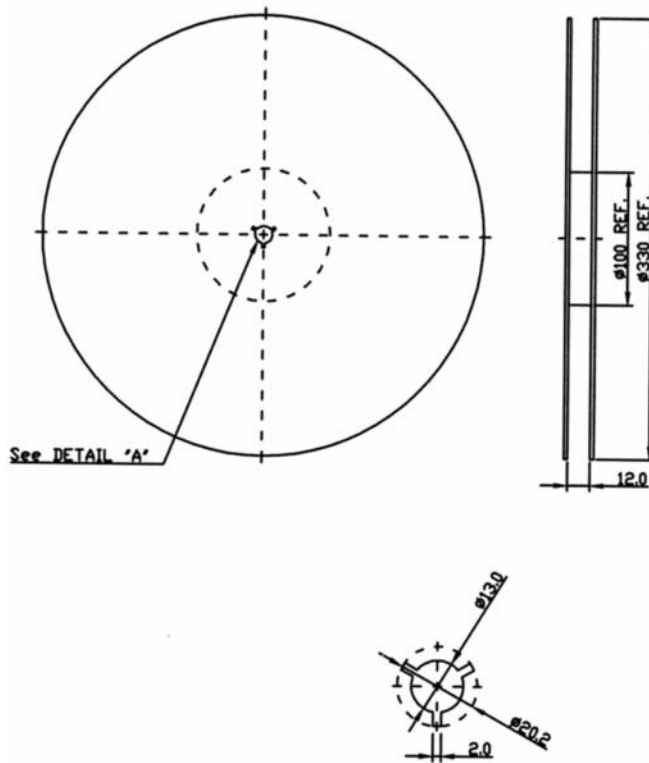


SAW Filter 448.0 MHz
Part No: MP01854

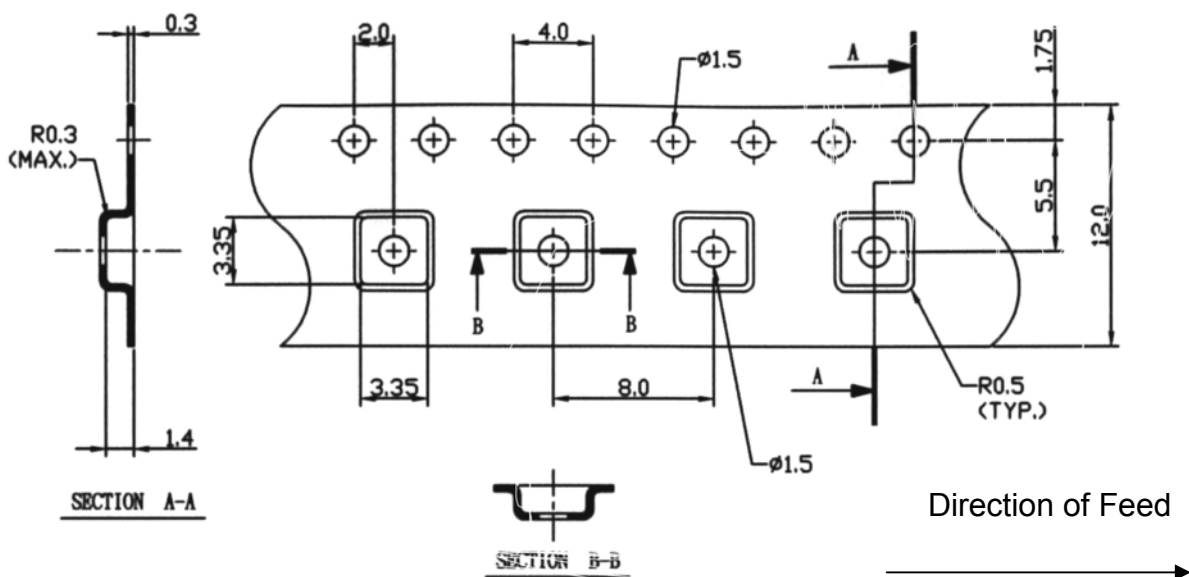
Model: TA0709A
Rev No: 1

G. PACKING:

1. Reel Dimension



2. Tape Dimension



SAW Filter 448.0 MHz
Part No: MP01854

Model: TA0709A
Rev No: 1

H. RECOMMENDED REFLOW PROFILE:

