

SAW Filter 455.0 MHz
Part No: MP01856

Model: TA0472A
Rev No: 2

A. MAXIMUM RATING:

Electrostatic Sensitive Device

1. Input Power Level: 0dBm
2. DC voltage: 5V
3. Operating Temperature: -40°C to +85°C
4. Storage Temperature: -40°C to +85°C

B. ELECTRICAL CHARACTERISTICS:

TA = -40°C to +85°C

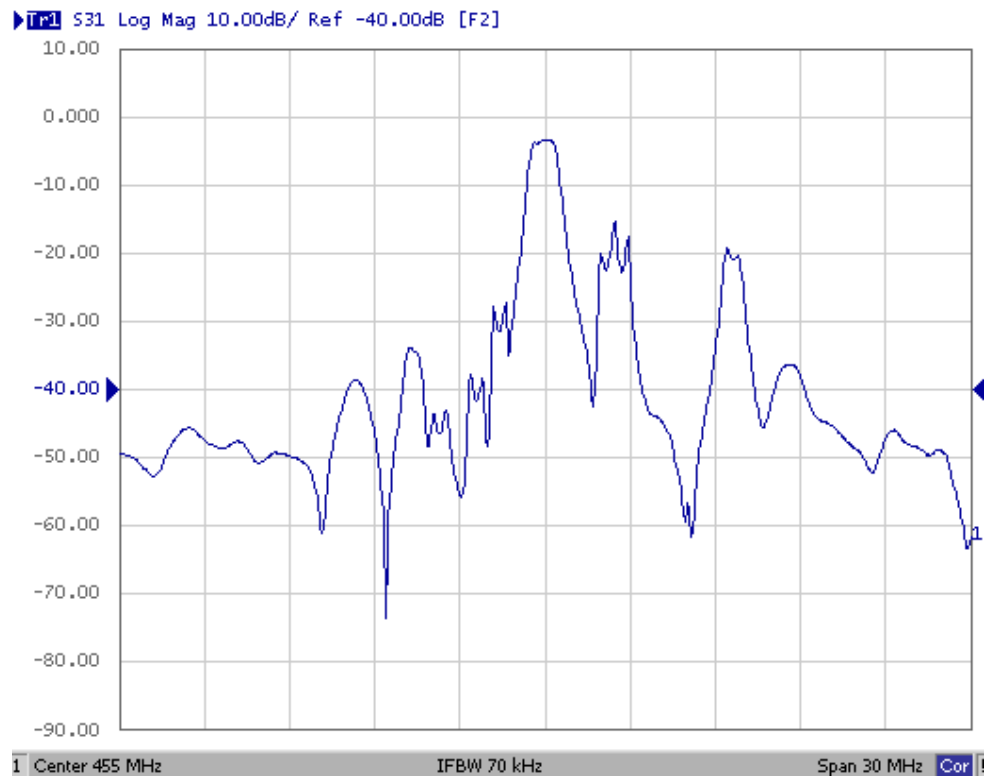
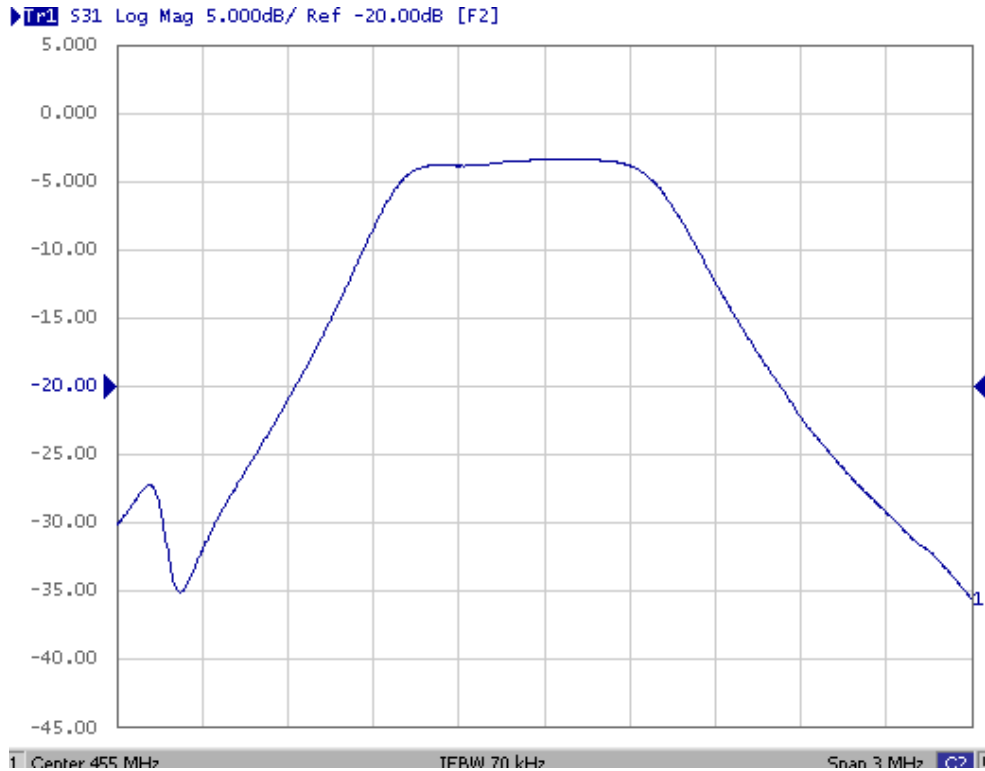
Item	Min.	Typ.	Max.	Note
Center frequency Fc (MHz)	-	455	-	1
Minimum IL (dB) IL min	-	3	4	
Pass band (relative to IL min) 454.75 ~ 455.25MHz (dB)	-	0.7	3	1
Pass bandwidth (relative to IL min) BW3 (kHz)	500	955	-	
Attenuation:(relative to IL min) (dB)				
10 ~ 432.2MHz	40	45	-	
432.2 ~ 443MHz	40	45	-	
443 ~ 453.8MHz	15	23	-	
456.3 ~ 466MHz	10	16	-	
466 ~ 478MHz	38	43	-	1
478 ~ 1000MHz	40	45	-	

Note. 1: The standard definition is in JIS C 6703.

SAW Filter 455.0 MHz
Part No: MP01856

Model: TA0472A
Rev No: 2

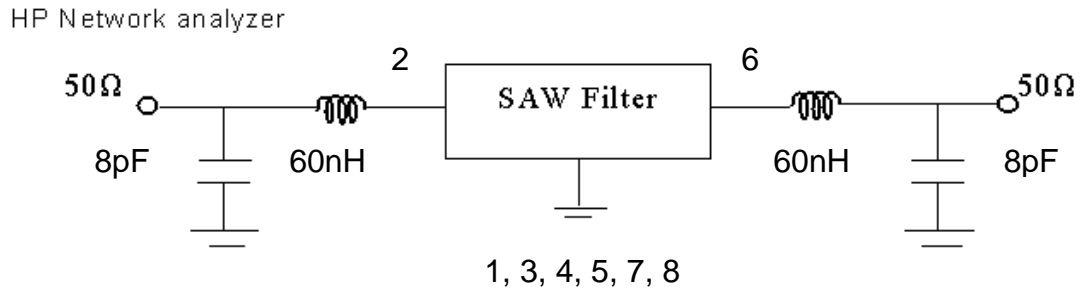
C.FREQUENCY CHARACTERISTICS:



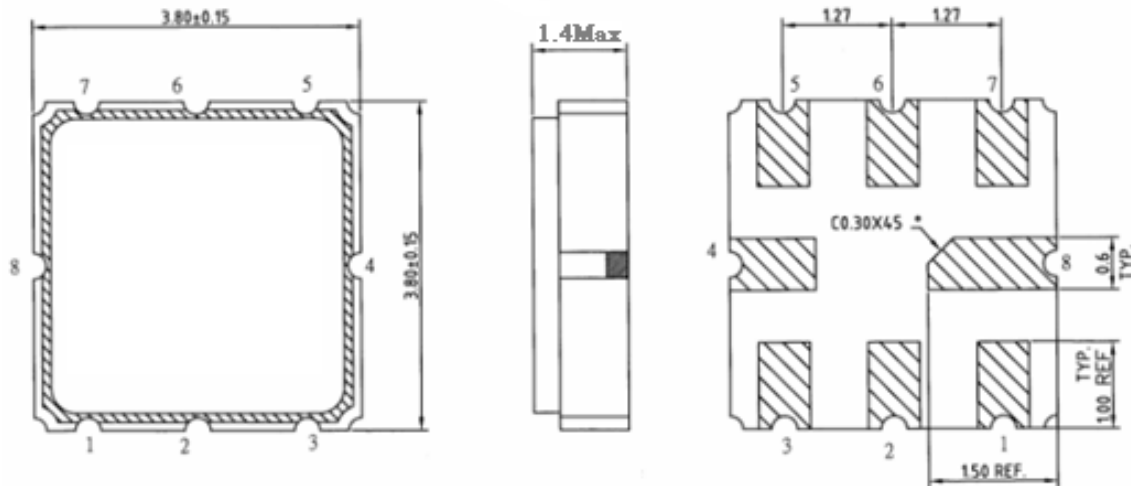
SAW Filter 455.0 MHz
Part No: MP01856

Model: TA0472A
Rev No: 2

D. MEASUREMENT CIRCUIT:



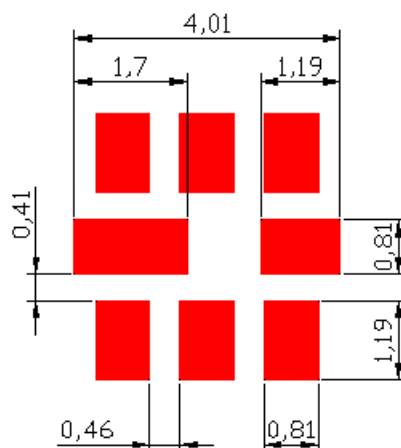
E. OUTLINE DRAWING:



Pin2: Input
 Pin6: Output
 Pin1,3,4,5,7,8 to be ground

Unit : mm

F. PCB FOOTPRINT:

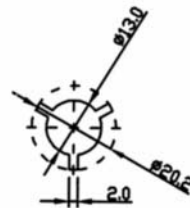
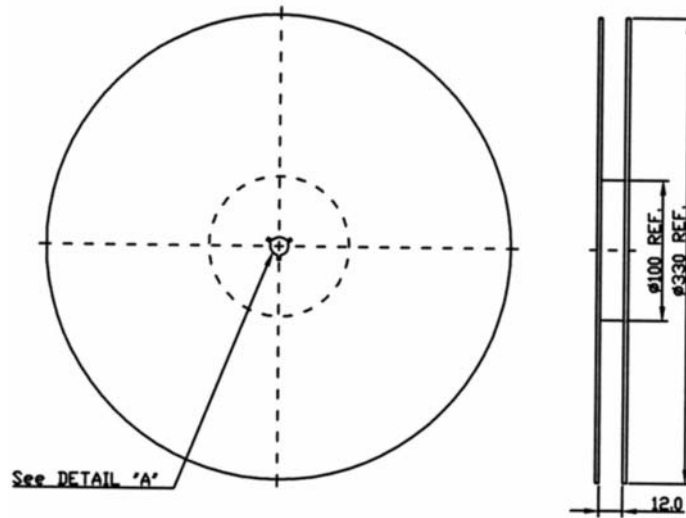


SAW Filter 455.0 MHz
Part No: MP01856

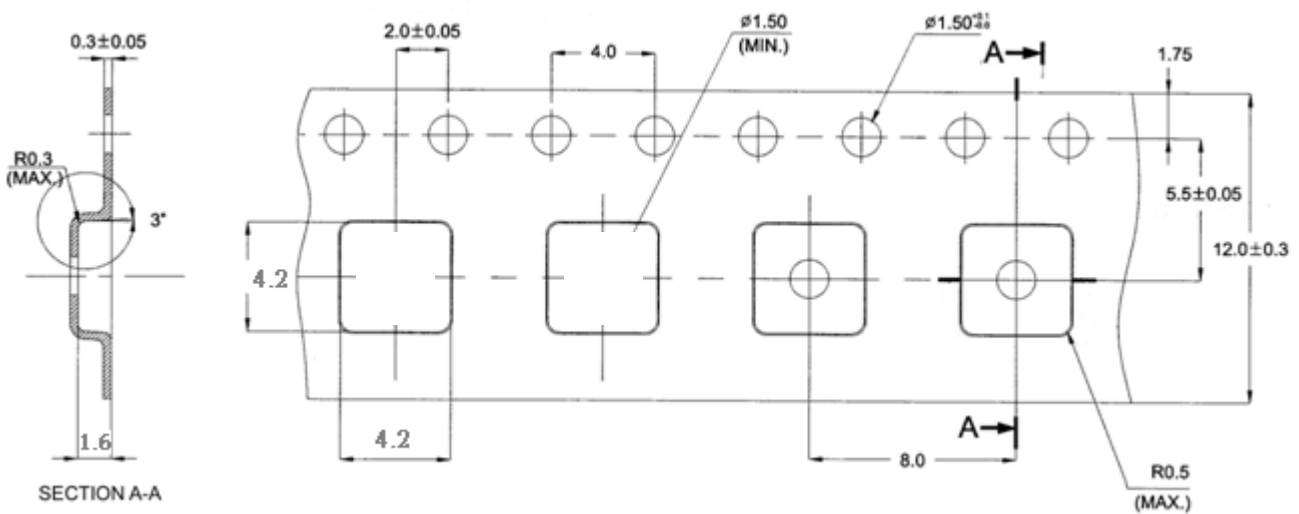
Model: TA0472A
Rev No: 2

G. PACKING:

1. Reel Dimension



2. Tape Dimension



Direction of feed

