

**SAW Filter 456.0 MHz**

**Model: TA0473A**

**Part No: MP01857**

**REV NO.: 1**

**A. MAXIMUM RATING:**

1. Input Power Level: 0 dBm
2. DC voltage: 5 V
3. Operating Temperature: -40°C to +85°C
4. Storage Temperature: -40°C to +85°C

**B. ELECTRICAL CHARACTERISTICS:**

TA= -40°C to +85°C

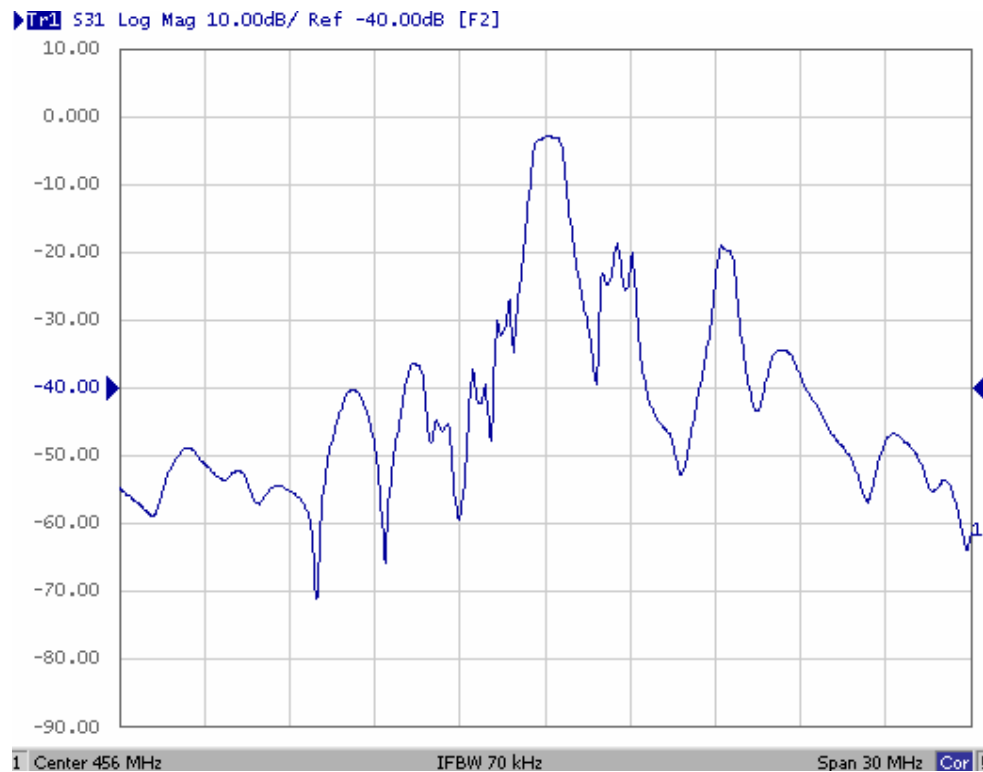
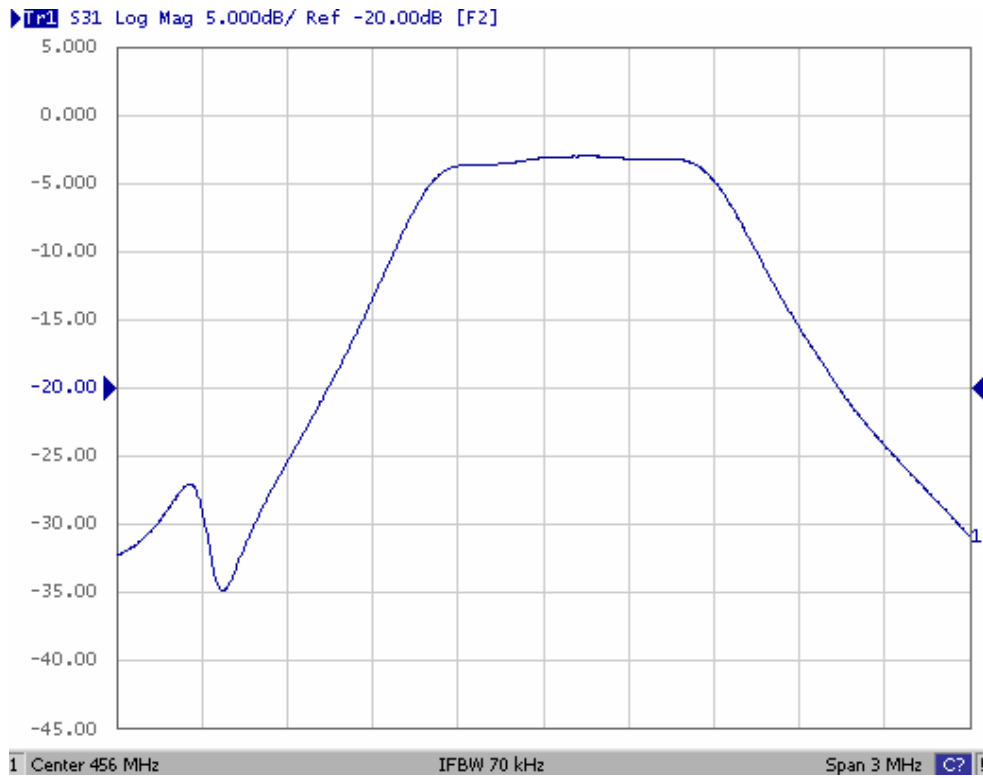
Item	Min.	Typ.	Max.	Note
Center frequency $F_c$ (MHz)	-	456	-	1
Minimum I.L. (dB) $IL_{min}$	-	2.7	4	
Pass band (relative to $IL_{min}$ ) 455.75~456.25 MHz (dB)	-	0.8	3	1
Pass bandwidth (relative to $IL_{min}$ ) $BW_3$ (KHz)	500	950	-	
Attenuation:( relative to $IL_{min}$ ) (dB )				
10~433.2 MHz (dB )	40	45	-	
433.2~444 MHz (dB )	40	44	-	
444~454.8 MHz (dB )	15	24	-	
457.3~467 MHz (dB )	10	15	-	
467~479 MHz (dB )	38	43	-	1
479~1000 MHz (dB )	40	45	-	

Note1. The standard definitions is in JIS C 6703

**SAW Filter 456.0 MHz**  
**Part No: MP01857**

**Model: TA0473A**  
**REV NO.: 1**

**C. FREQUENCY CHARACTERISTICS:**



**SAW Filter 456.0 MHz**

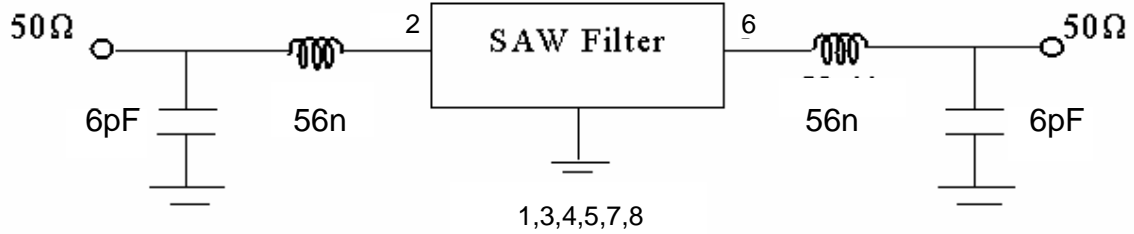
**Model: TA0473A**

**Part No: MP01857**

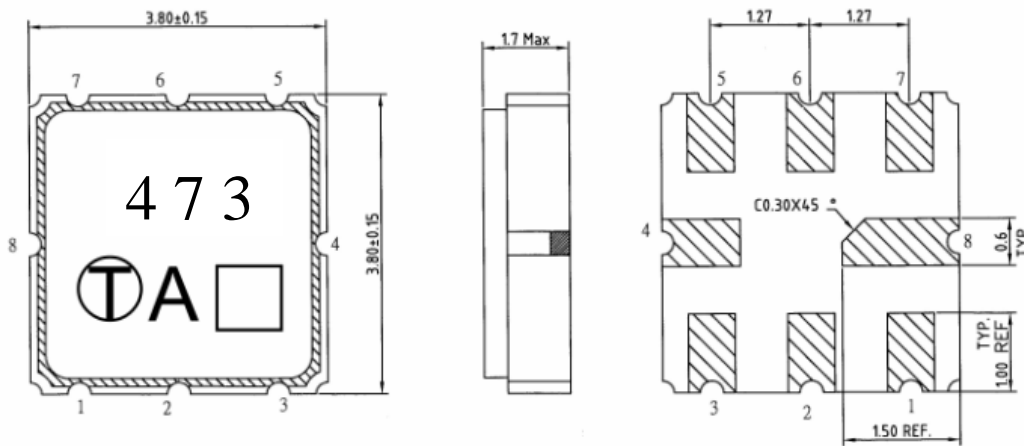
**REV NO.: 1**

**D. MEASUREMENT CIRCUIT:**

HP Network analyzer

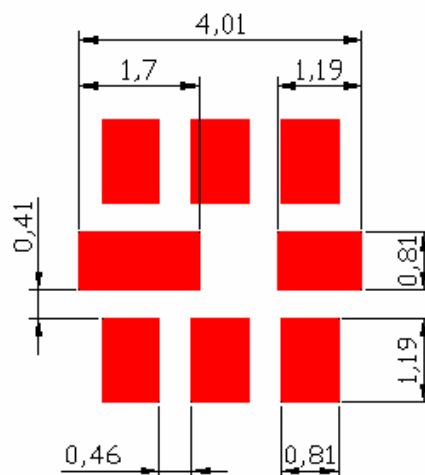


**E. OUTLINE DRAWING:**



Pin2: Input  
 Pin6: Output  
 Pin1,3,4,5,7,8 to be ground  
 □ : Date code  
 Unit : mm

**F. PCB FOOTPRINT**

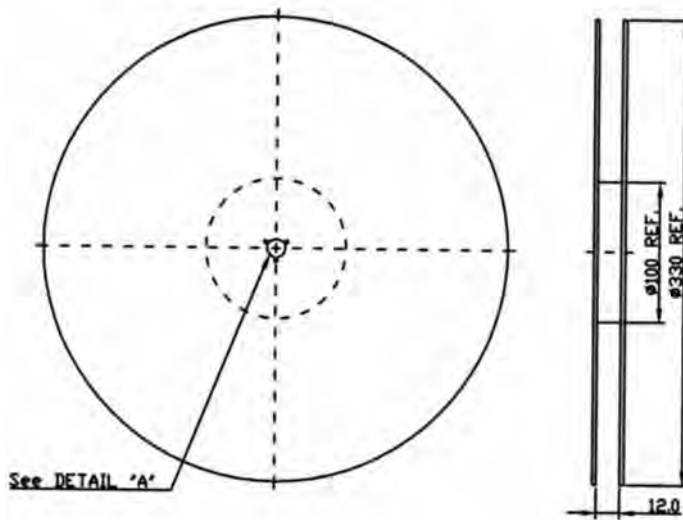


**SAW Filter 456.0 MHz**  
**Part No: MP01857**

**Model: TA0473A**  
**REV NO.: 1**

**G. PACKING:**

**1. REEL DIMENSION**



**2. TAPE DIMENSION**

