

**SAW Filter 350MHz**

**Model: TB0610A**

**Part No: MP01907**

**REV. NO.:1**

**A. MAXIMUM RATING:**

1. Operating Temperature: -25°C to +70°C
2. Storage Temperature: -40°C to +85°C
3. Maximum Input Power : 10dBm

**B. ELECTRICAL CHARACTERISTICS:**

1. Ambient Temperature: 25 °C

Item		Min.	Typical	Max.	
Center frequency	Fc	MHz	-	350	-
Insertion loss at Fc		dB	-	11.8	13.0
Bandwidth at -1.0dB		MHz	69.0	74.0	-
Bandwidth at -3.0dB		MHz	71.0	78.0	
Amplitude Ripple (Fc ± 34.5 MHz)		dB	-	0.8	1.0
Group Delay Ripple (Fc ± 34.5 MHz)		nS	-	30	100
Absolute Group delay at Fc		nS	-	320	-
Attenuation (Reference level from minimum Insertion loss )					
130MHz ~ 240MHz		dB	45	60	-
460MHz ~ 605MHz		dB	42	48	-
Temp Coefficient		ppm/°C	-	-93	-

**SAW Filter 350MHz**  
**Part No: MP01907**

**Model: TB0610A**  
**REV. NO.:1**

**C. FREQUENCY CHARACTERISTICS:**

1. S21 Response

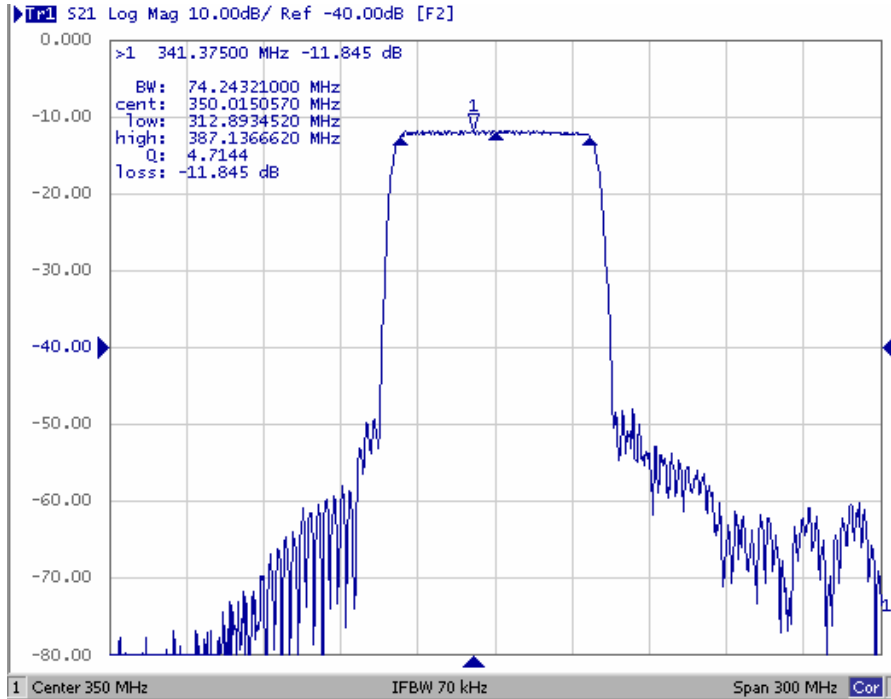


Fig1. Horizontal: 30MHz/Div Vertical: 10dB/Div

2. Passband Ripple

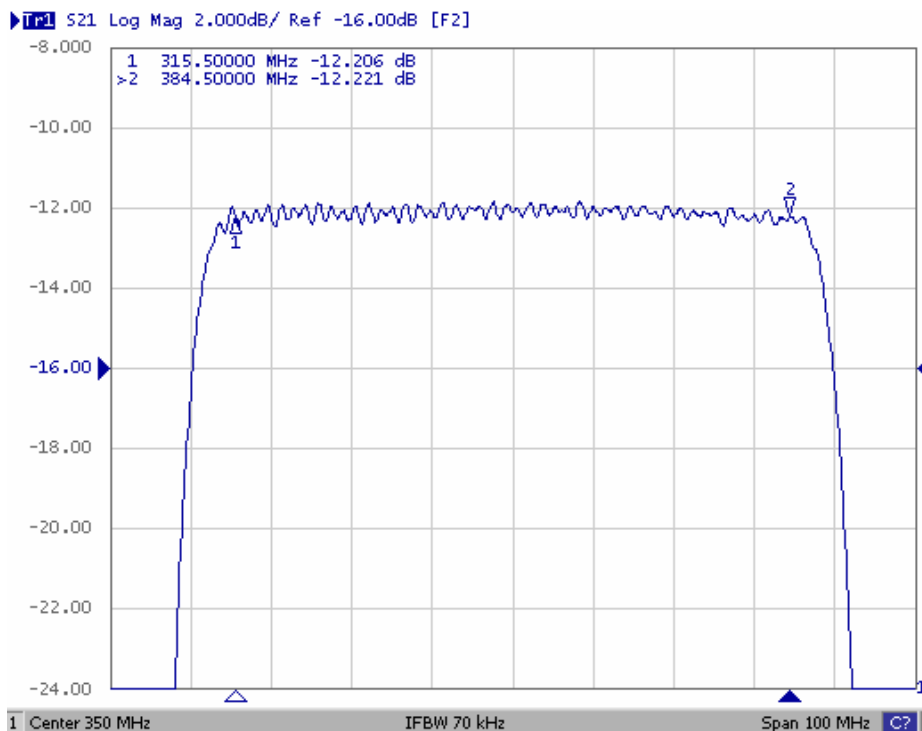


Fig2. Horizontal: 10MHz/Div Vertical: 2dB/Div

**SAW Filter 350MHz**  
**Part No: MP01907**

**Model: TB0610A**  
**REV. NO.:1**

### 3. Group Delay Ripple

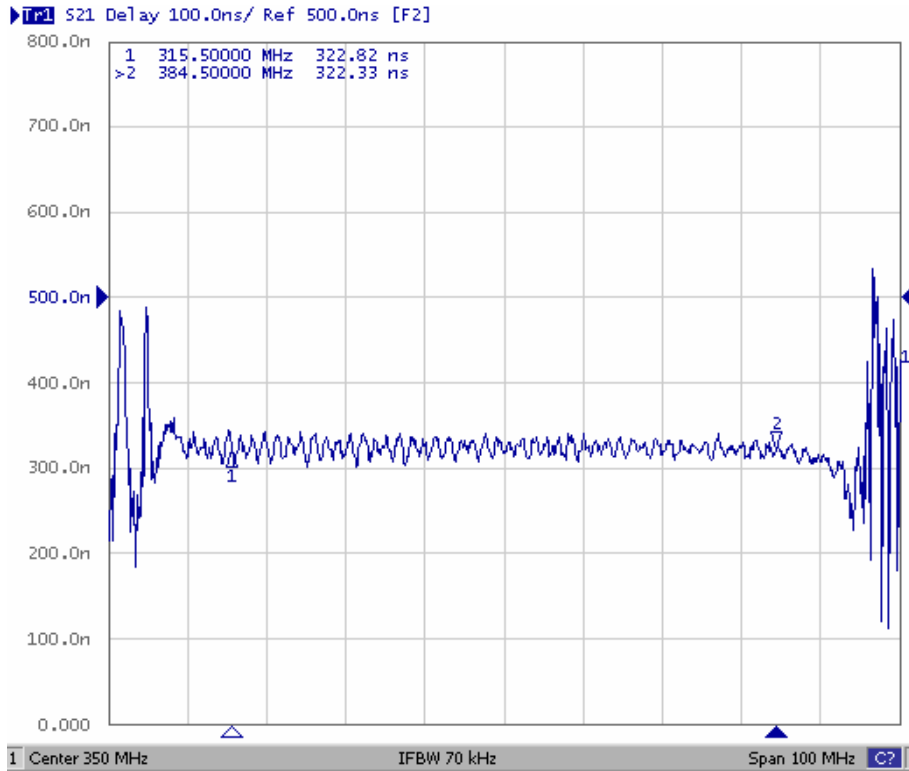


Fig3. Horizontal: 10MHz/Div Vertical: 100nS/Div

### 4. Wide Band Response

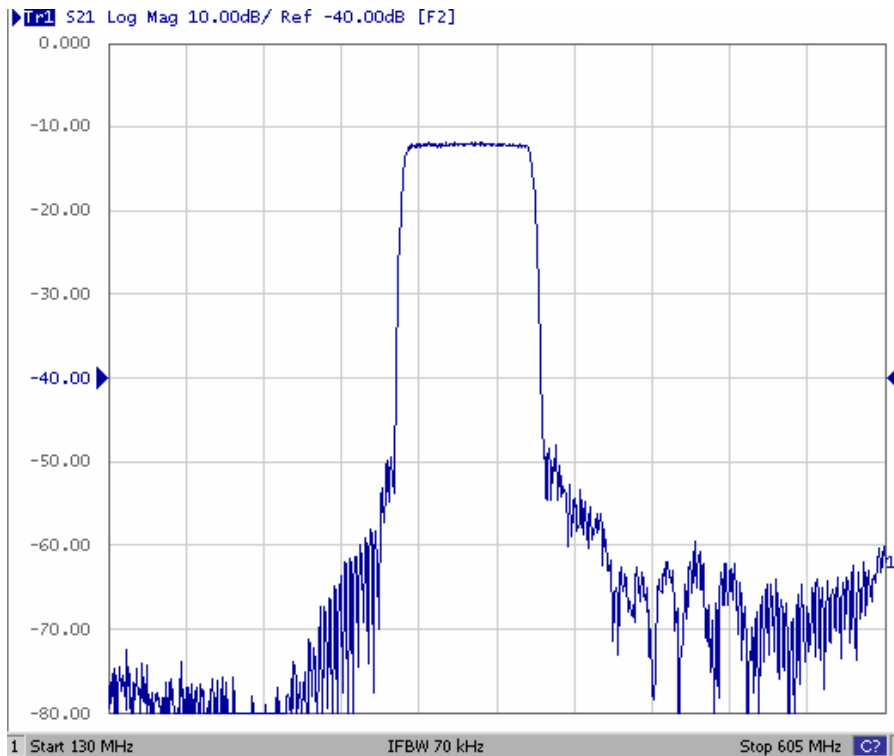


Fig4. Horizontal: 130~605MHz Vertical: 10dB/Div

**SAW Filter 350MHz**

**Model: TB0610A**

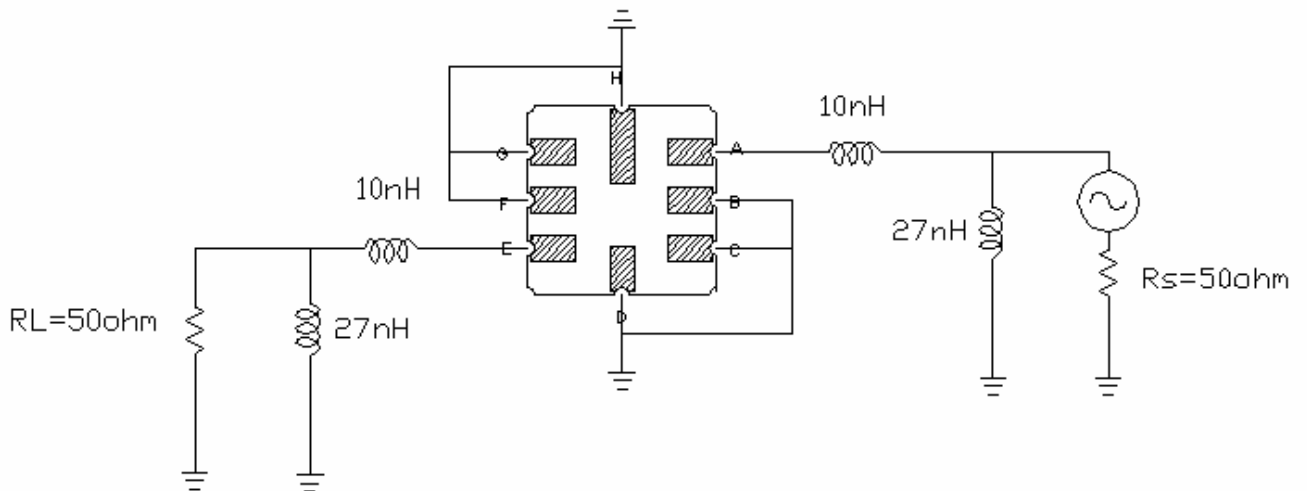
**Part No: MP01907**

**REV. NO.:1**

**D. MEASUREMENT CIRCUIT:**

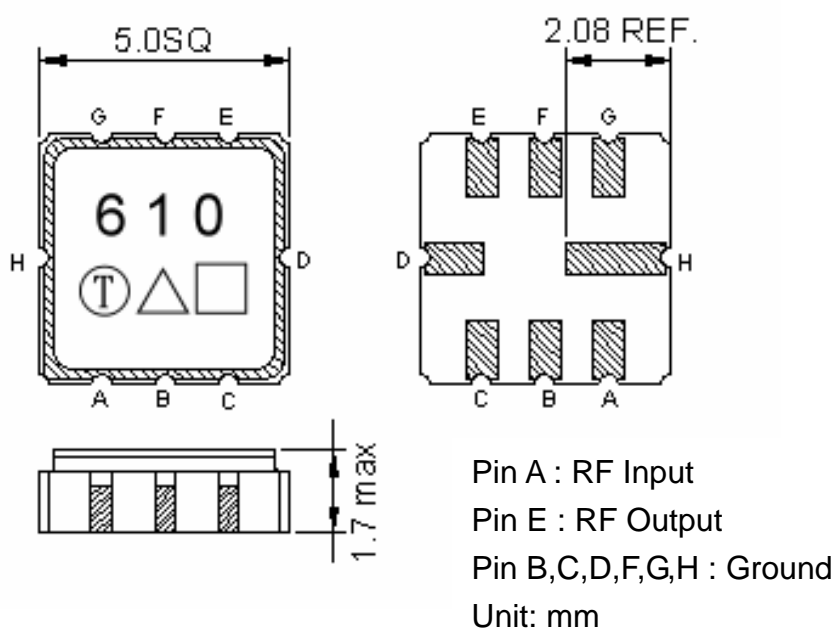
1. Single ended input 50 ohm to Single ended Output 50 ohm

:



Note: The matching structure will change according to different test fixture.

**E. OUTLINE DRAWING:**



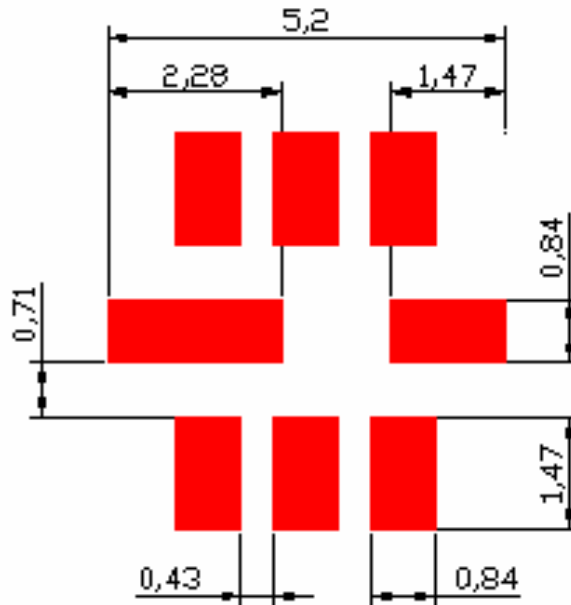
**SAW Filter 350MHz**

**Model: TB0610A**

**Part No: MP01907**

**REV. NO.:1**

**F. PCB FOOTPRINT:**



Unit: mm

**SAW Filter 350MHz**

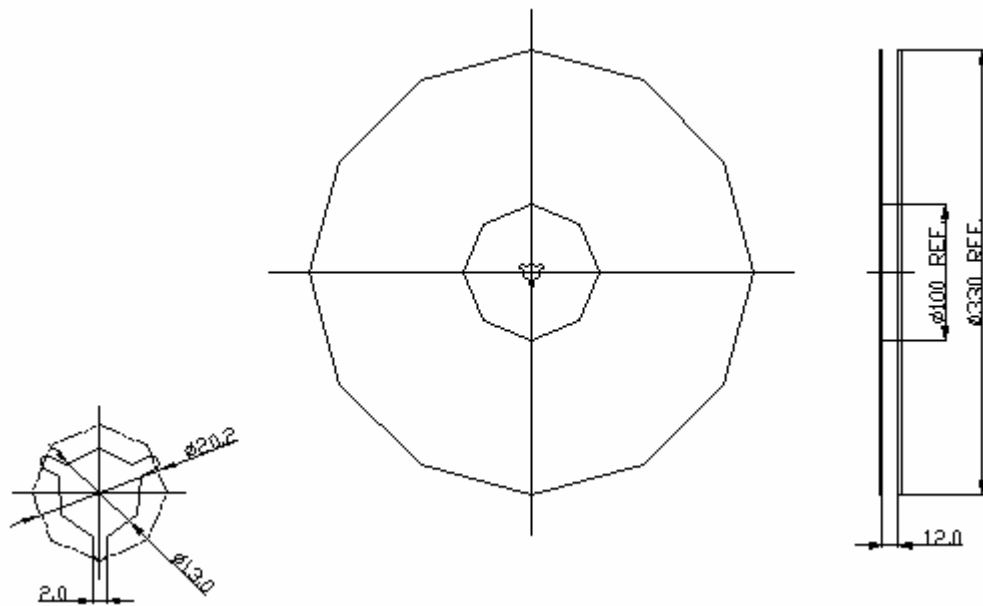
**Model: TB0610A**

**Part No: MP01907**

**REV. NO.:1**

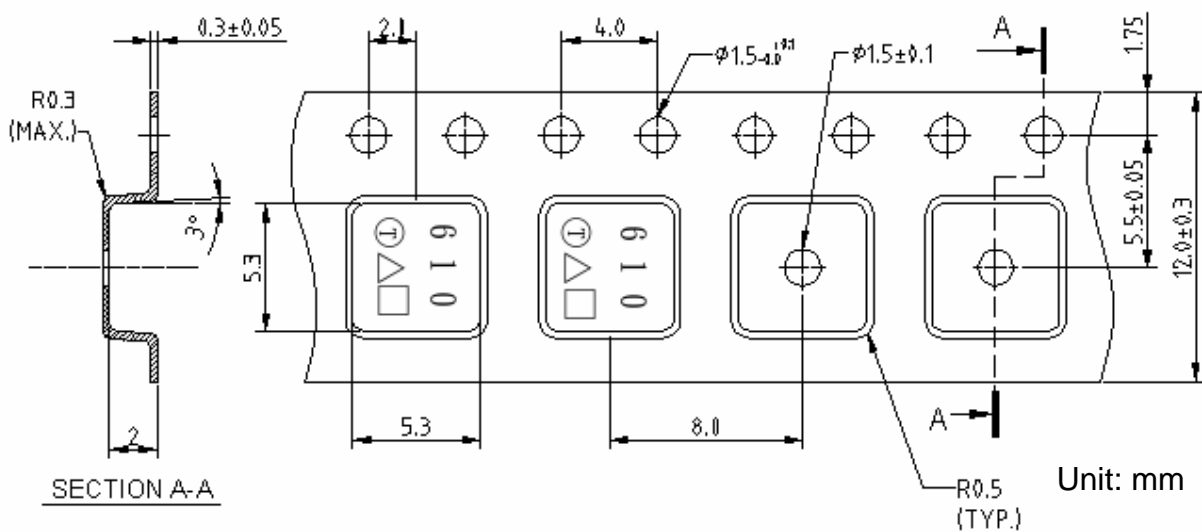
**G. PACKING:**

**1. REEL DIMENSION**



Unit: mm

**2. TAPE DIMENSION**



Unit: mm

**SAW Filter 350MHz**

**Model: TB0610A**

**Part No: MP01907**

**REV. NO.:1**

**H. RECOMMENDED REFLOW PROFILE:**

