

**SAW Resonator 446.0MHz**  
**Part No: MP01928**

**Model: TC0504A**  
**Rev No: 1**

**A. FEATURES:**

One-Port Resonator

**B. MAXIMUM RATING:**

1. Input Power Level: 10dBm
2. DC voltage: 5V
3. Operating Temperature: -40°C to +85°C
4. Storage Temperature: -40°C to +85°C

**C. ELECTRICAL CHARACTERISTICS:**

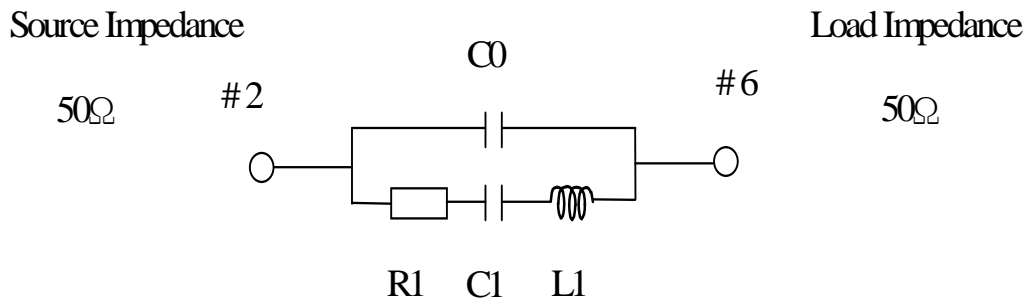
Characteristic	Units	Min.	Typ.	Max.
Center frequency Fr	MHz	445.925	446	446.075
Insertion Loss IL	dB	-	1.35	2.0
Equivalent Elements				
Motional capacitance C <sub>1</sub>	fF	-	1.54	-
Motional inductance L <sub>1</sub>	μH	-	82.59	-
Motional resistance R <sub>1</sub>	Ohm	-	15.72	-
Parallel capacitance C <sub>O</sub>	pF	-	3.36	-
Temp. coeff.	ppm/c*2	-	0.032	-
Turnover T <sub>O</sub>	deg. C	-	25	-
Package size	SMD 5.0 X 5.0 X 1.4mm			

**SAW Resonator 446.0MHz**  
**Part No: MP01928**

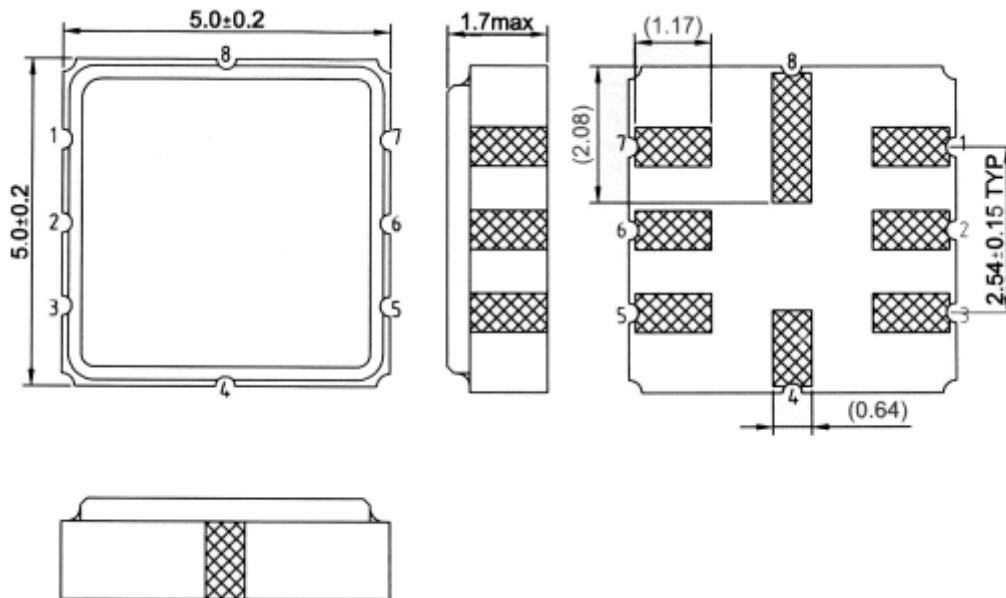
**Model: TC0504A**  
**Rev No: 1**

**D. EQUIVALENT CIRCUIT:**

One-Port Resonator:



**E. OUTLINE DRAWING:**



- 2: Input or Output
- 6: Output or Input
- 4: 8 : Case Ground
- 1: 3, 5, 7: Ground

**SAW Resonator 446.0MHz**  
**Part No: MP01928**

**Model: TC0504A**  
**Rev No: 1**

**F. FREQUENCY CHARACTERISTICS:**

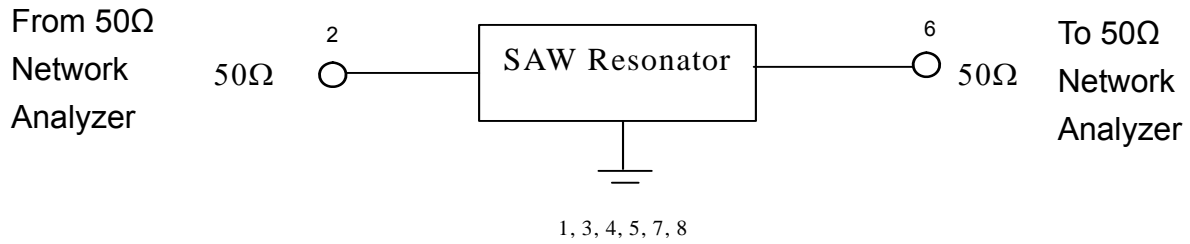


**SAW Resonator 446.0MHz**  
**Part No: MP01928**

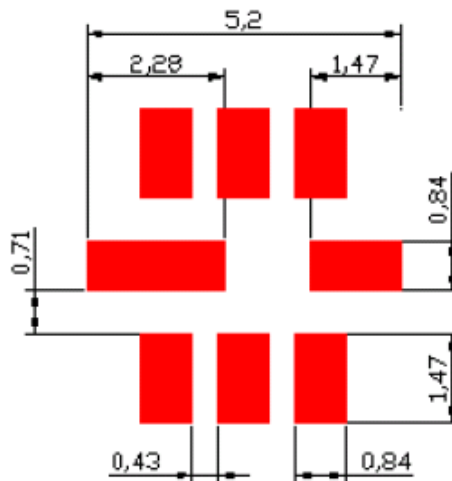
**Model: TC0504A**  
**Rev No: 1**

**G. TEST CIRCUIT:**

Network analyzer



**H. LAND PATTERN:**

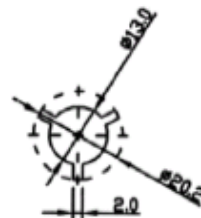
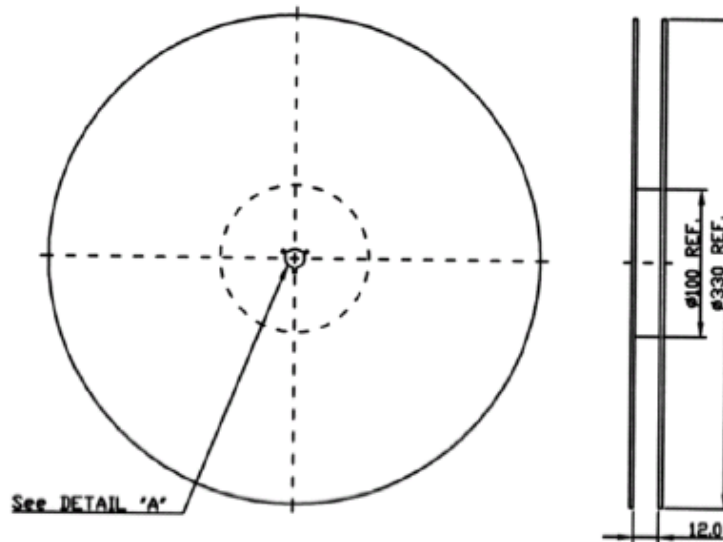


**SAW Resonator 446.0MHz**  
**Part No: MP01928**

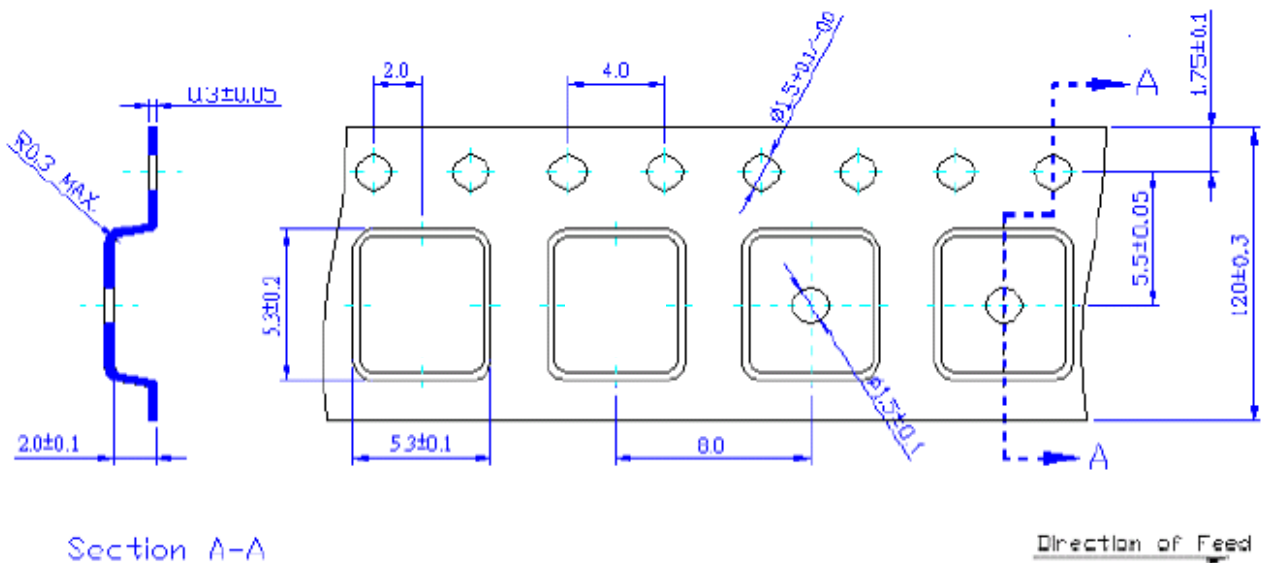
**Model: TC0504A**  
**Rev No: 1**

**I. PACKING:**

1. Reel Dimension



2. Tape Dimension



**SAW Resonator 446.0MHz**  
**Part No: MP01928**

**Model: TC0504A**  
**Rev No: 1**

**J. RECOMMENDED REFLOW PROFILE:**

