

SAW Filter 1855.0MHz
Part No: MP02149

Model: TA0703A
Rev No: 1

A. MAXIMUM RATING:

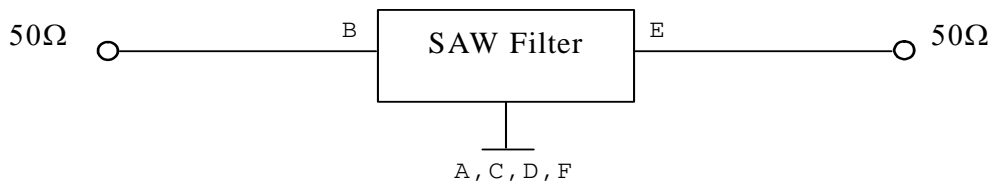
1. Input Power Level: 10dBm
2. DC Voltage: 3V
3. Operating Temperature: -20°C to +75°C
4. Storage Temperature: -40°C to +85°C

B. ELECTRICAL CHARACTERISTICS:

Item	Unit	Min.	Typ.	Max.	Note
Center Frequency Fc	MHz	-	1855	-	-
Insertion Loss (1840 ~ 1870MHz) IL	dB	-	2.15	3	-
Amplitude Ripple (1840 ~ 1870MHz)	dB	-	0.6	1.8	-
VSWR (1840 ~ 1870MHz)		-	1.45	2	-
Attenuation (Reference level from 0dB)					
1440 ~ 1470MHz	dB	25	37	-	-
1750 ~ 1780MHz	dB	29	36	-	-
1930 ~ 1960MHz	dB	30	40	-	-
2240 ~ 2270MHz	dB	28	46	-	-

C. MEASUREMENT CIRCUIT:

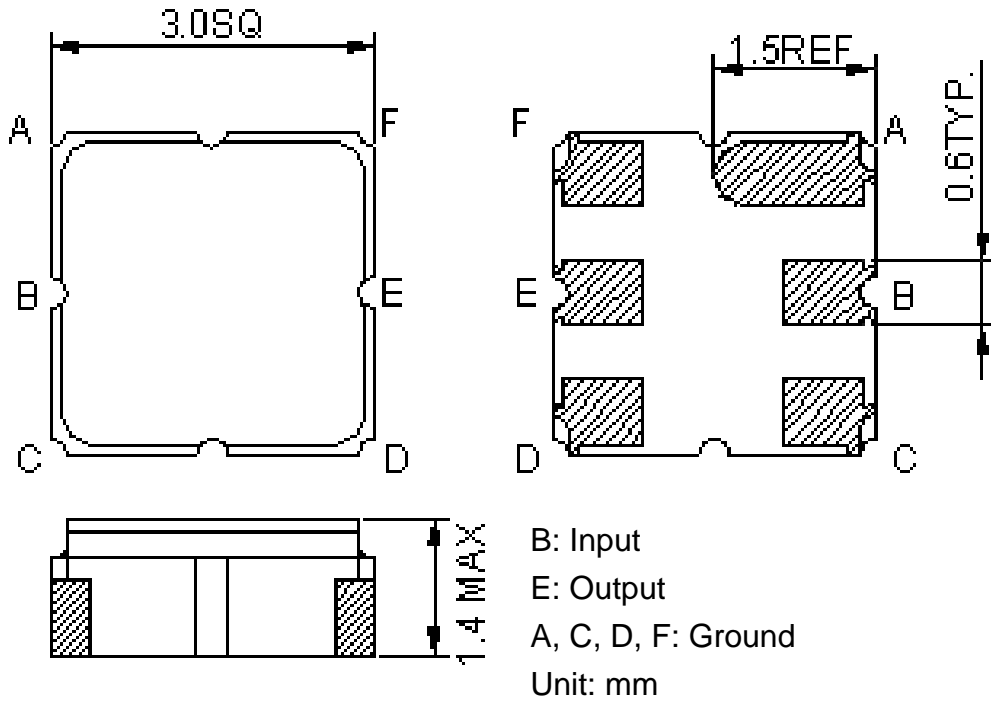
HP Network analyzer



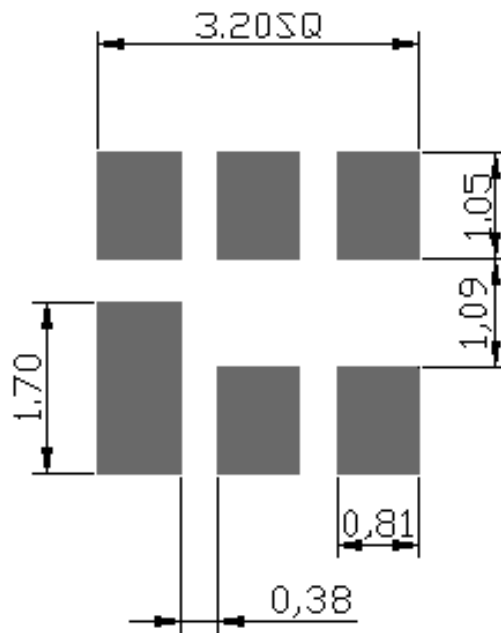
SAW Filter 1855.0MHz
Part No: MP02149

Model: TA0703A
Rev No: 1

D. OUTLINE DRAWING:



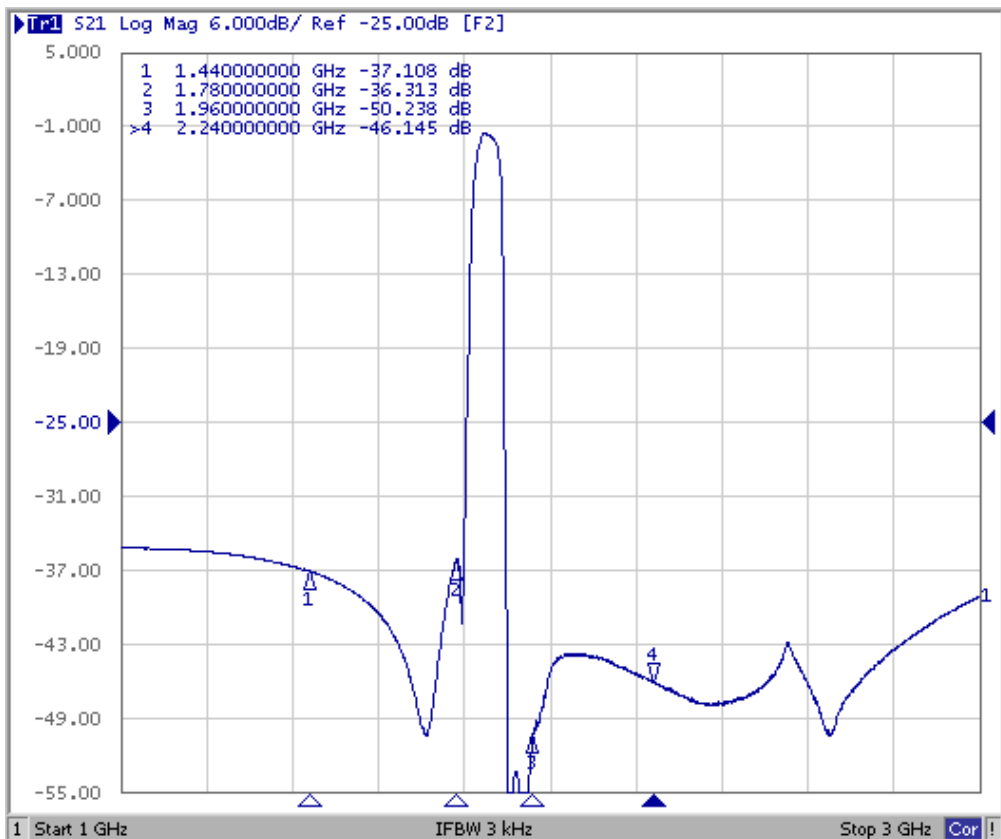
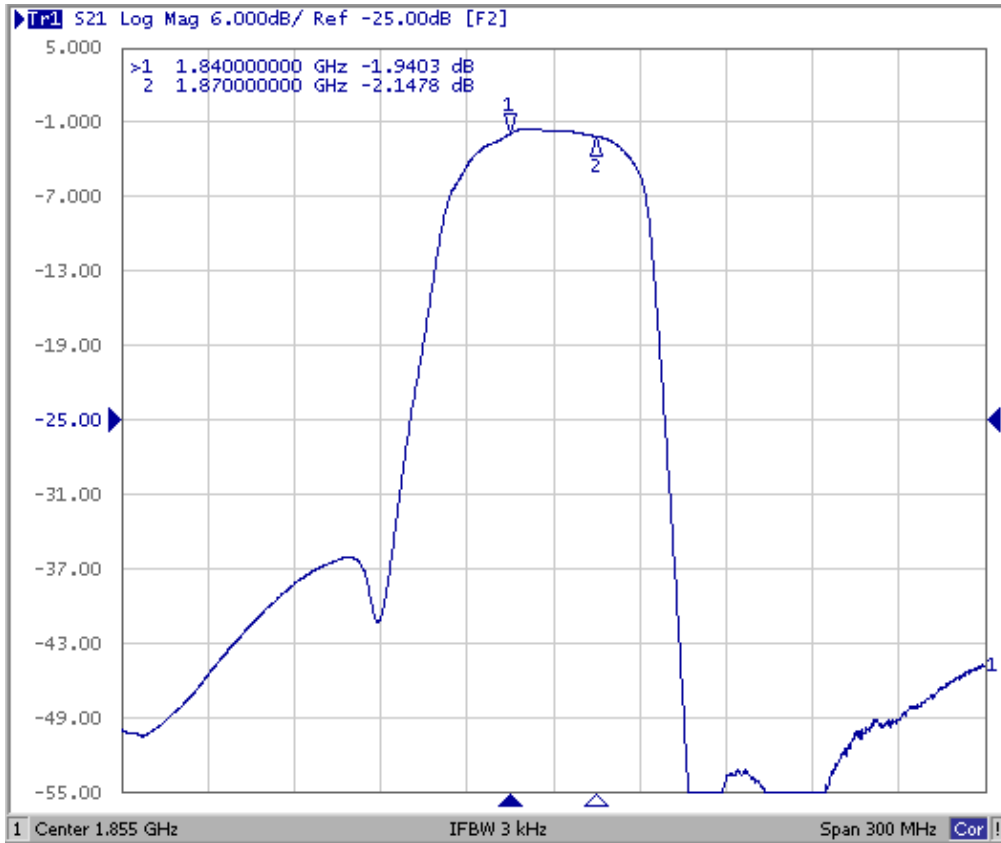
E. PCB FOOTPRINT:



SAW Filter 1855.0MHz
Part No: MP02149

Model: TA0703A
Rev No: 1

F. FREQUENCY CHARACTERISTICS:

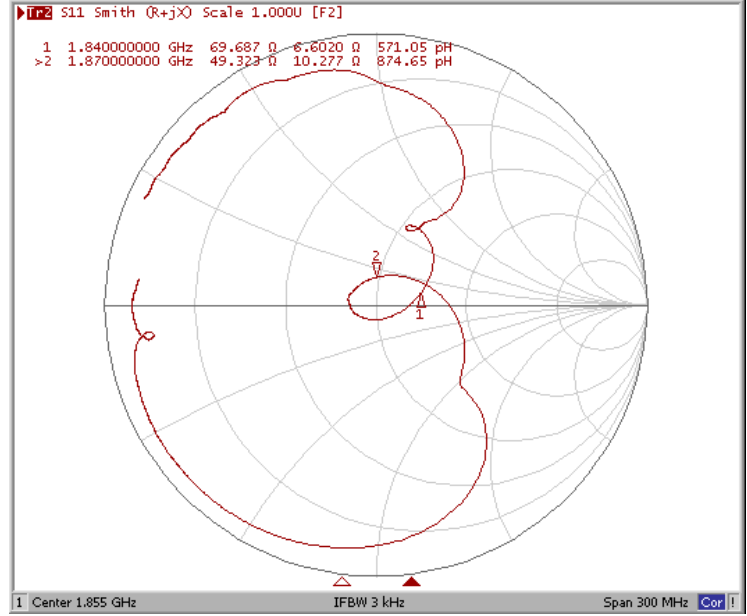
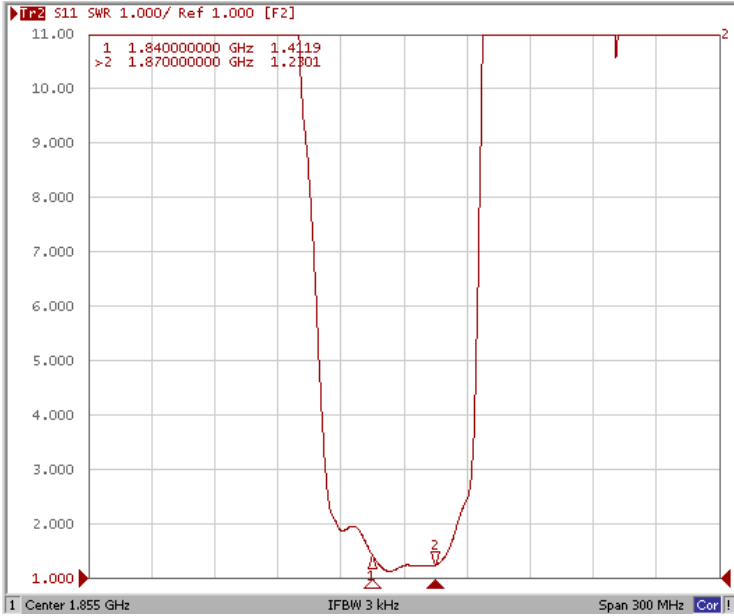


SAW Filter 1855.0MHz
Part No: MP02149

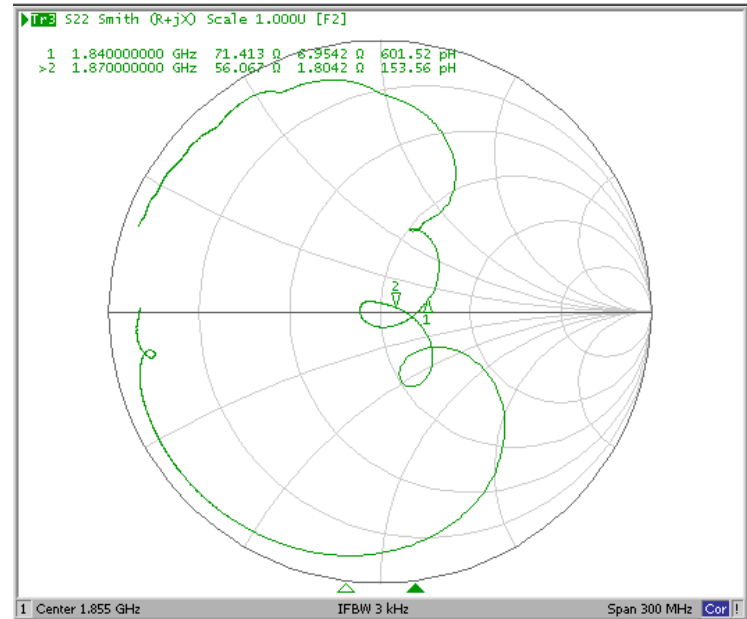
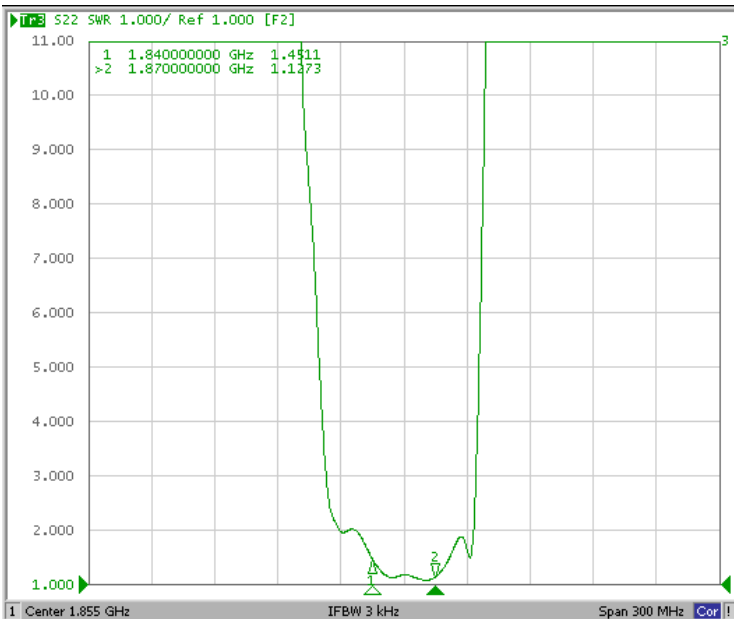
Model: TA0703A
Rev No: 1

Reflection Functions

S11



S22

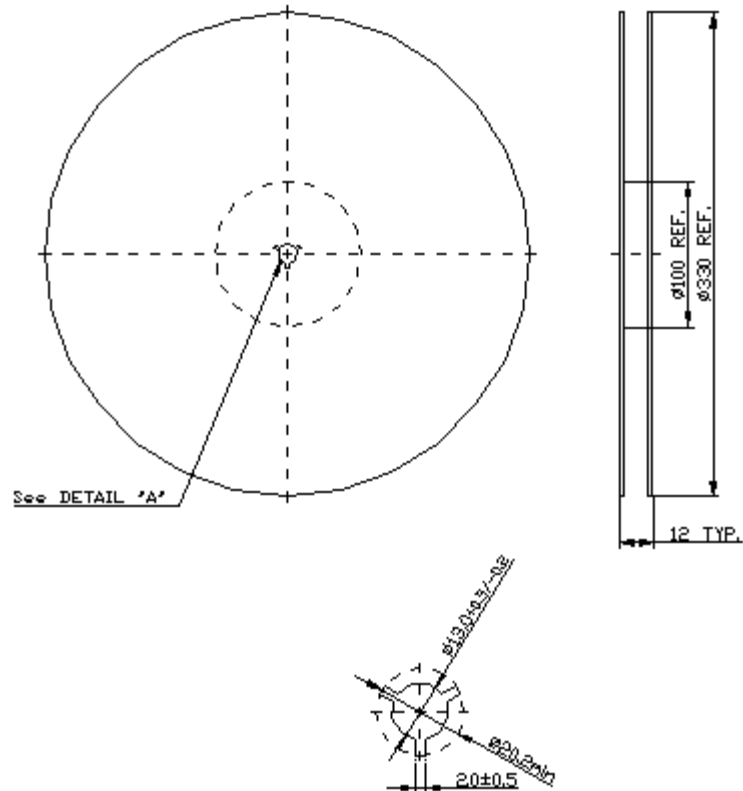


SAW Filter 1855.0MHz
Part No: MP02149

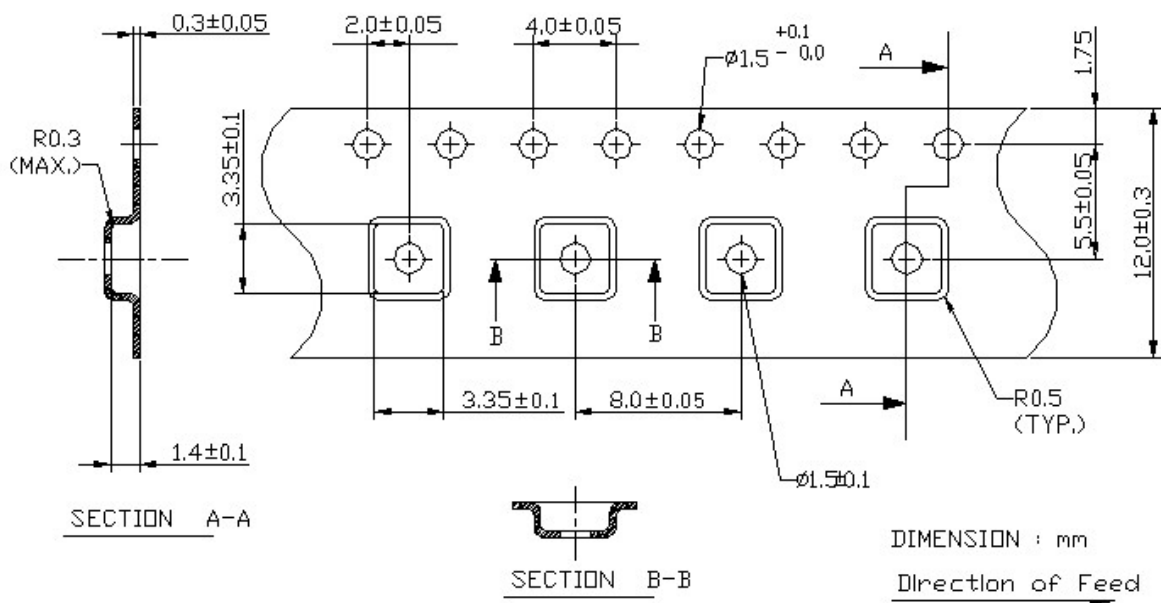
Model: TA0703A
Rev No: 1

G. PACKING:

1. Reel Dimension (Reel Count: 7" = 1000; 13" = 3000)



2. Tape Dimension



SAW Filter 1855.0MHz
Part No: MP02149

Model: TA0703A
Rev No: 1

H. RECOMMENDED REFLOW PROFILE:

