

SAW Filter 200MHz

Model: TB0410A

Part No: MP02263

REV NO.: 1

A. MAXIMUM RATING:

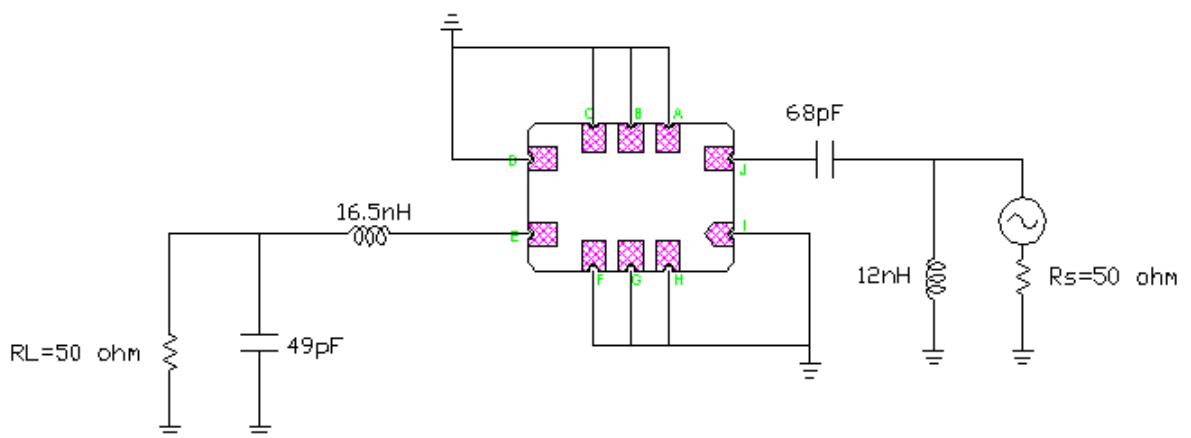
1. Operating Temperature: -10 °C ~ 70 °C
2. Storage Temperature: -40 °C ~ +85 °C

B. CHARACTERISTICS:

Ambient Temperature: 25 °C

Characteristics	Value			Note
	Min.	Typ.	Max.	
Center frequency F_C MHz	199.9	200	200.1	-
Minimum Insertion loss I.L. dB	14.4	16.9	18.4	-
Passband ripple ($F_C \pm 2.7\text{MHz}$) dB	-	0.68	1.00	-
Phase linearity ($F_C \pm 3.0\text{MHz}$)(rms) deg	-	1.5	7.0	-
1 dB Bandwidth dB	6.4	6.7	-	-
3 dB Bandwidth dB	7.3	7.6	7.9	-
40 dB Bandwidth	-	10.3	11.0	-
Group Delay Ripple ($F_C \pm 3.0\text{MHz}$) nS	-	74	120	-
Temp. Coefficient ppm/°C	-	-23	-	-
Attenuation:(Reference level from minimum insertion loss)				dB
1) 10 MHz ~ 193MHz dB	40	49	-	-
2) 207 MHz ~ 350 MHz dB	38	43	-	-

C. MEASUREMENT CIRCUIT:



SAW Filter 200MHz
Part No: MP02263

Model: TB0410A
REV NO.: 1

D. FREQUENCY CHARACTERISTICS:

1. S21 Response

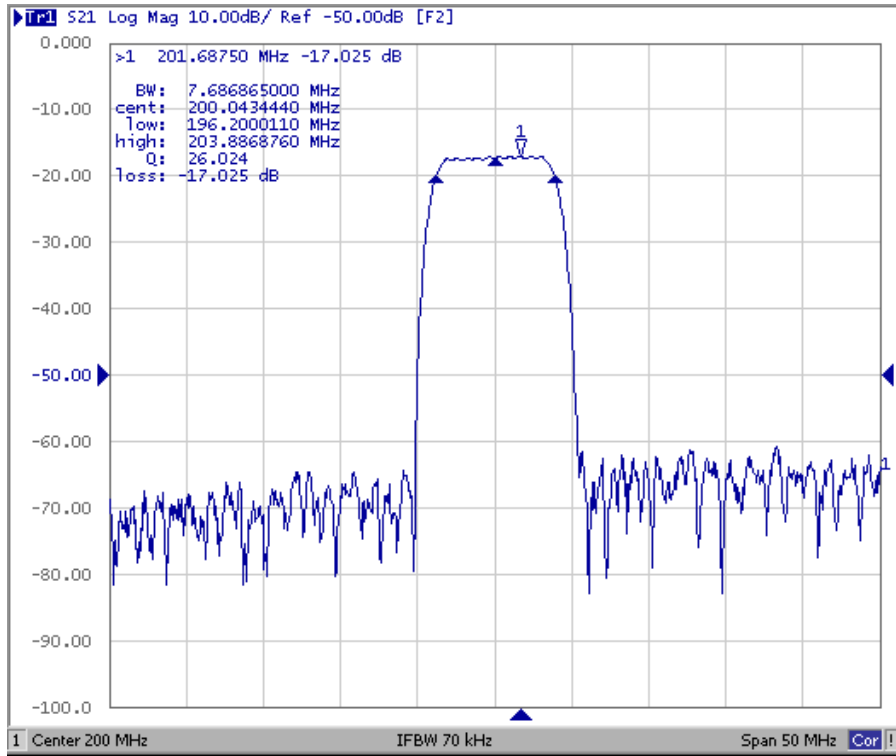


Fig 1. Horizontal: 5MHz/Div Vertical: 10dB/Div

2. S21 Response (Passband)

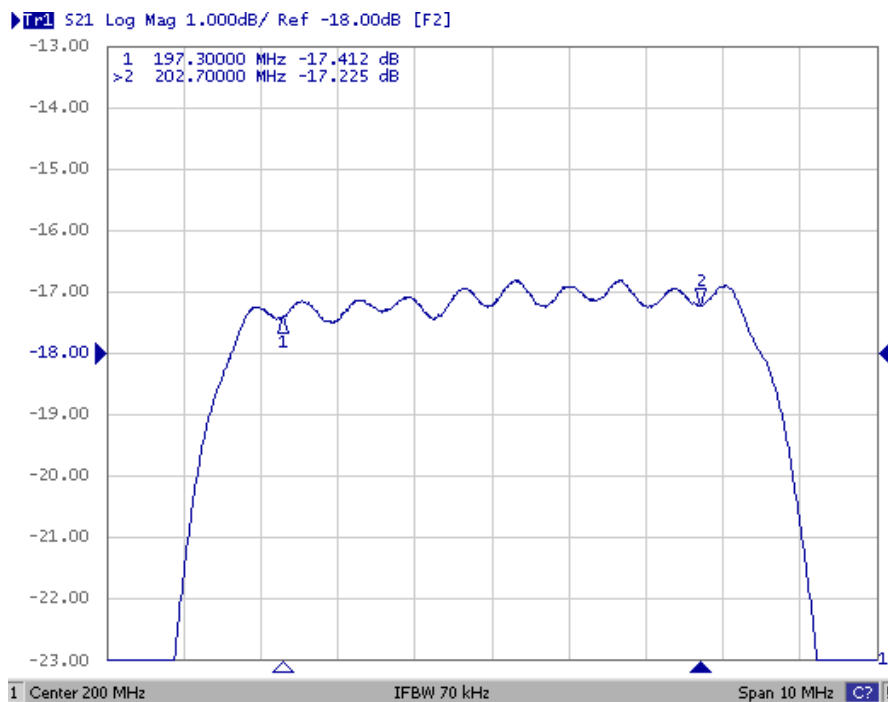


Fig 2. Horizontal: 1MHz/Div; Vertical: 1dB/Div

SAW Filter 200MHz
Part No: MP02263

Model: TB0410A
REV NO.: 1

3. S21 Response (Group delay ripple)

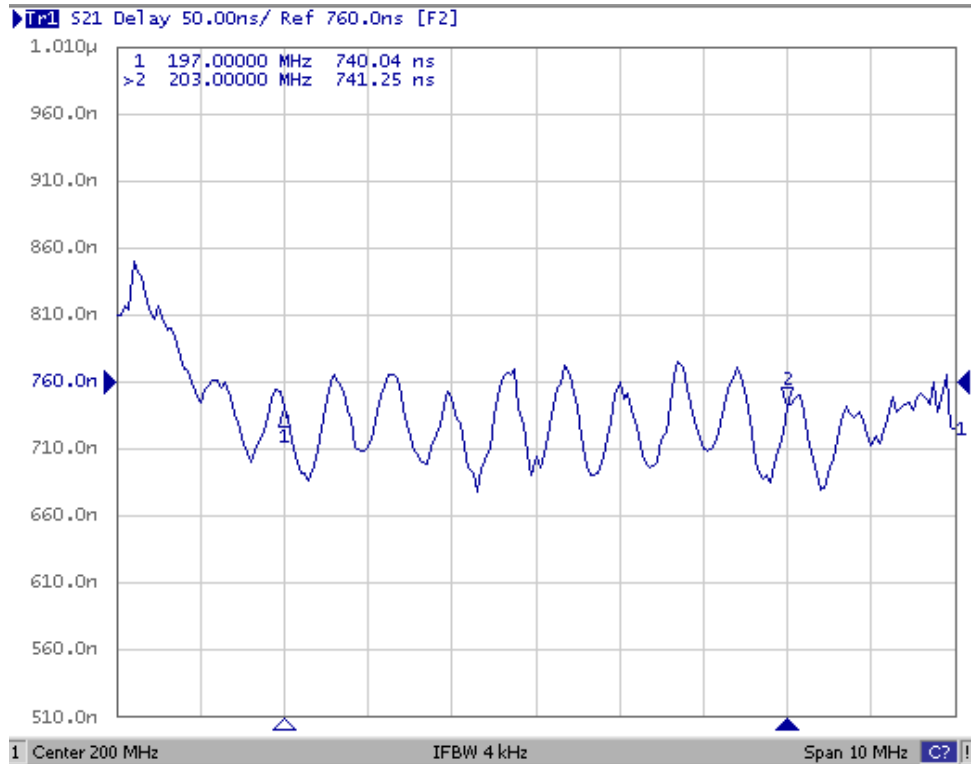
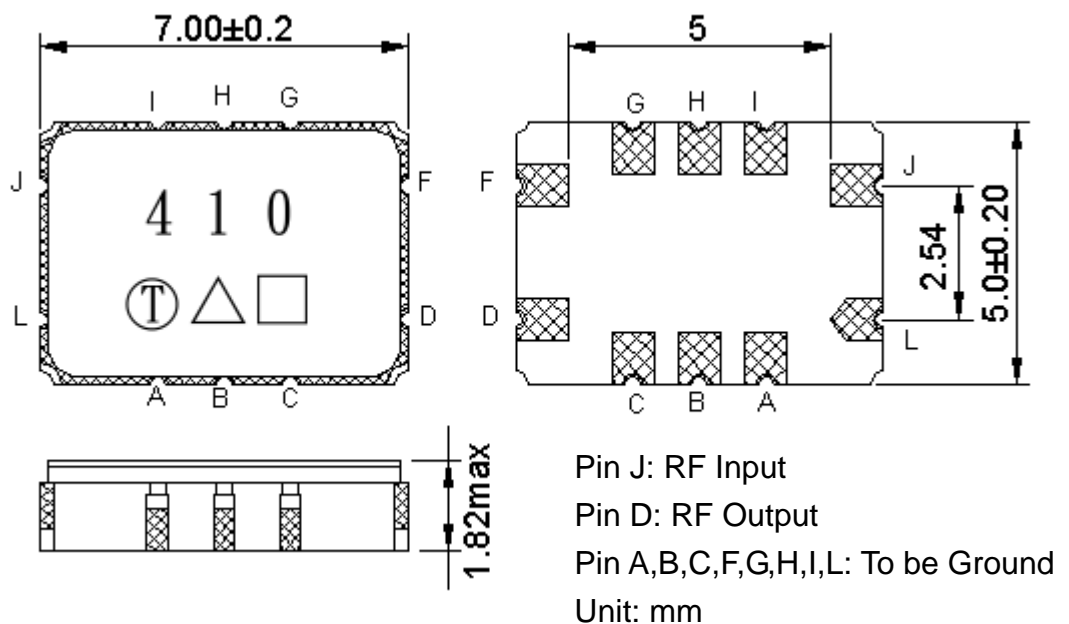


Fig 3. Horizontal: 1MHz/Div; Vertical: 50ns/Div

E. OUTLINE DRAWING:



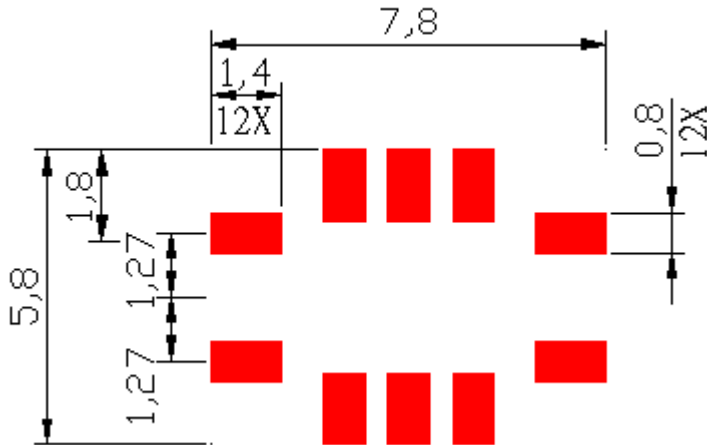
SAW Filter 200MHz

Model: TB0410A

Part No: MP02263

REV NO.: 1

F. PCB FOOTPRINT:

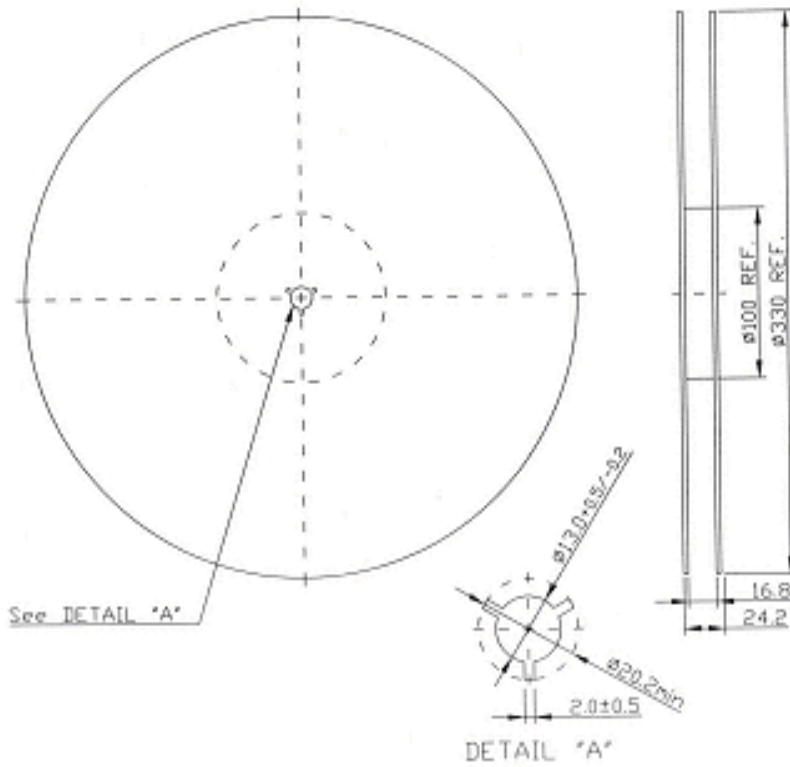


SAW Filter 200MHz
Part No: MP02263

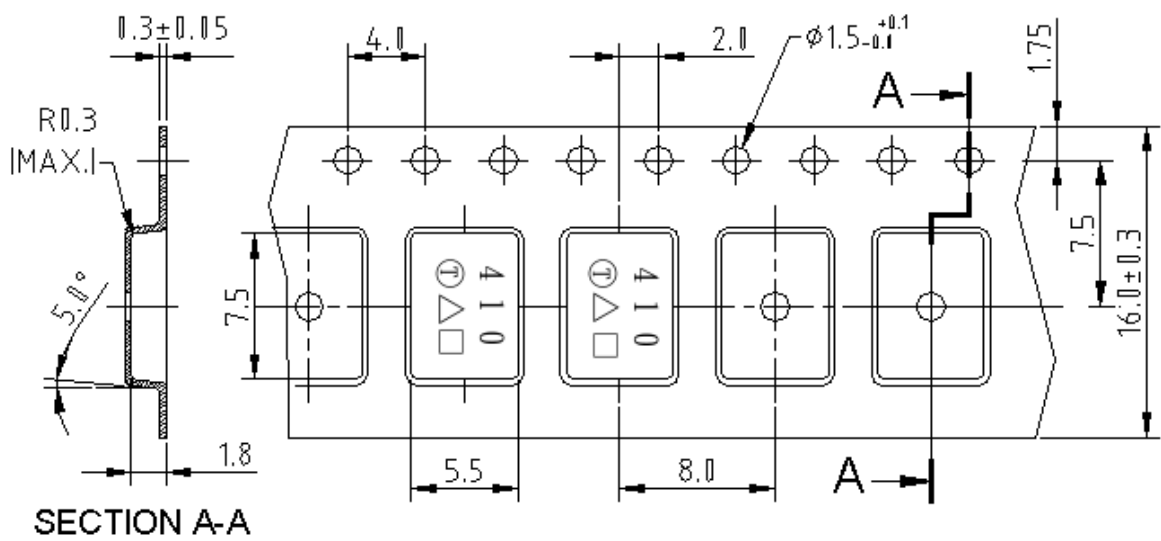
Model: TB0410A
REV NO.: 1

G. PACKING:

1. REEL DIMENSION



2. TAPE DIMENSION



SAW Filter 200MHz

Model: TB0410A

Part No: MP02263

REV NO.: 1

H. RECOMMENDED REFLOW PROFILE:

