

**SAW Filter 787.5MHz**

**Model: TA0823A**

**Part No: MP02289**

**Rev No: 1**

**A. MAXIMUM RATING:**

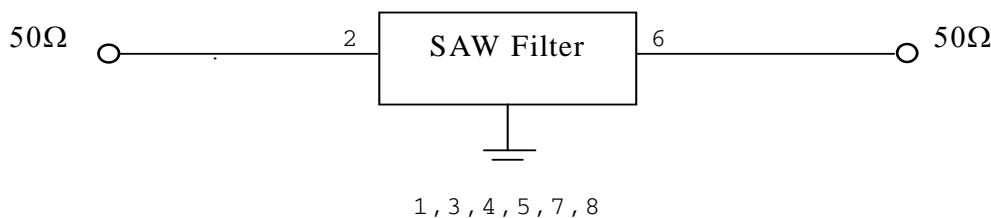
1. Input Power Level: 10dBm
2. DC voltage: 5V
3. Operating Temperature: -30°C to +70°C
4. Storage Temperature: -40°C to +85°C

**B. ELECTRICAL CHARACTERISTICS:**

Item	Unit	Min.	Typ.	Max.
Center frequency Fc	MHz	-	787.5	-
Insertion loss (787 ~ 788MHz) IL	dB	-	2.4	5
Amplitude ripple (787 ~ 788MHz)	dB	-	0.3	1.5
Return loss (787 ~ 788MHz)	dB	10	16	-
Group delay variation (787 ~ 788MHz)	ns	-	10	50
Attenuation (Reference level from 0dB)				
DC ~ 737MHz	dB	40	43	-
757 ~ 758MHz	dB	40	43	-
764 ~ 776MHz	dB	15	40	-
794 ~ 806MHz	dB	10	29	-
828 ~ 2000MHz	dB	40	48	-
Source impedance Z <sub>s</sub>	Ω	-	50	-
Load impedance Z <sub>L</sub>	Ω	-	50	-
Temperature Coefficient	ppm/°C	-	-36	-

**C. MEASUREMENT CIRCUIT:**

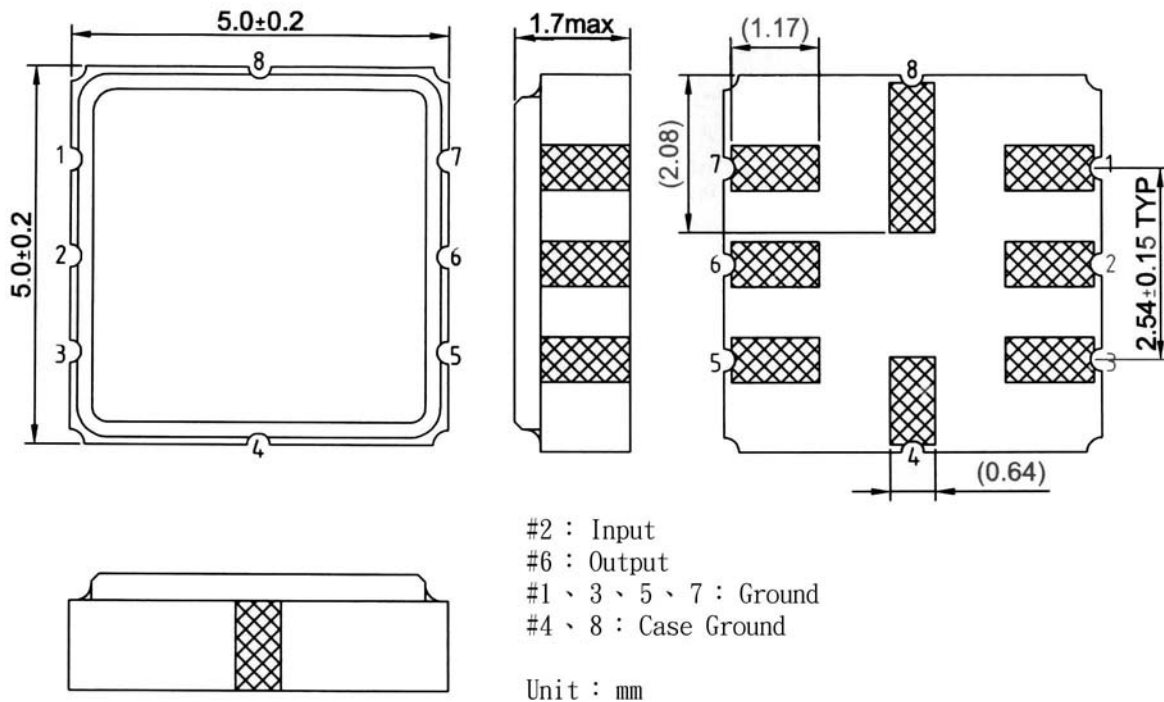
HP Network analyzer



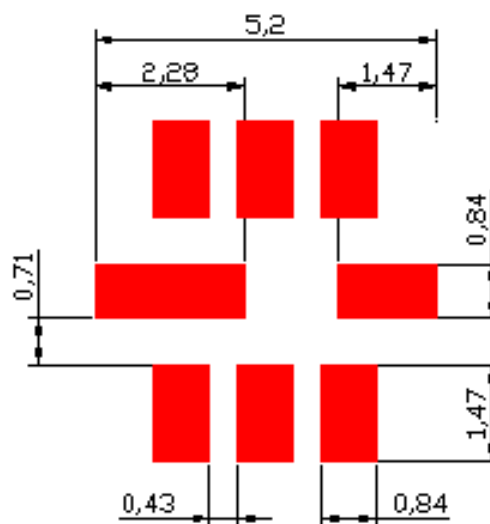
**SAW Filter 787.5MHz**  
**Part No: MP02289**

**Model: TA0823A**  
**Rev No: 1**

**D. OUTLINE DRAWING:**



**E. PCB FOOTPRINT:**

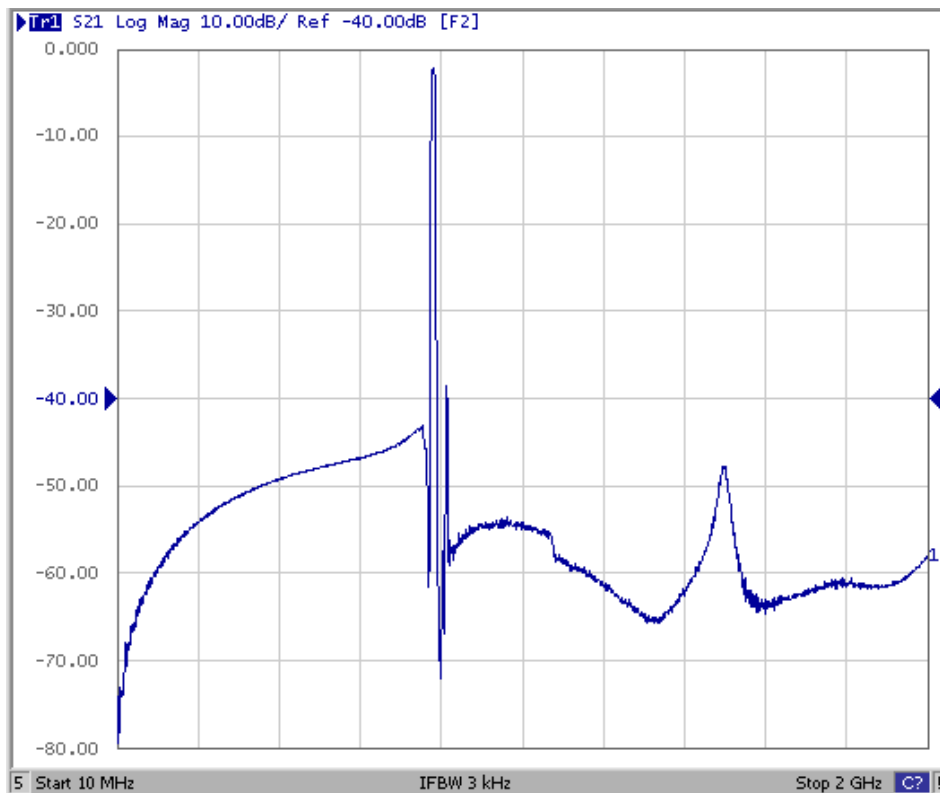
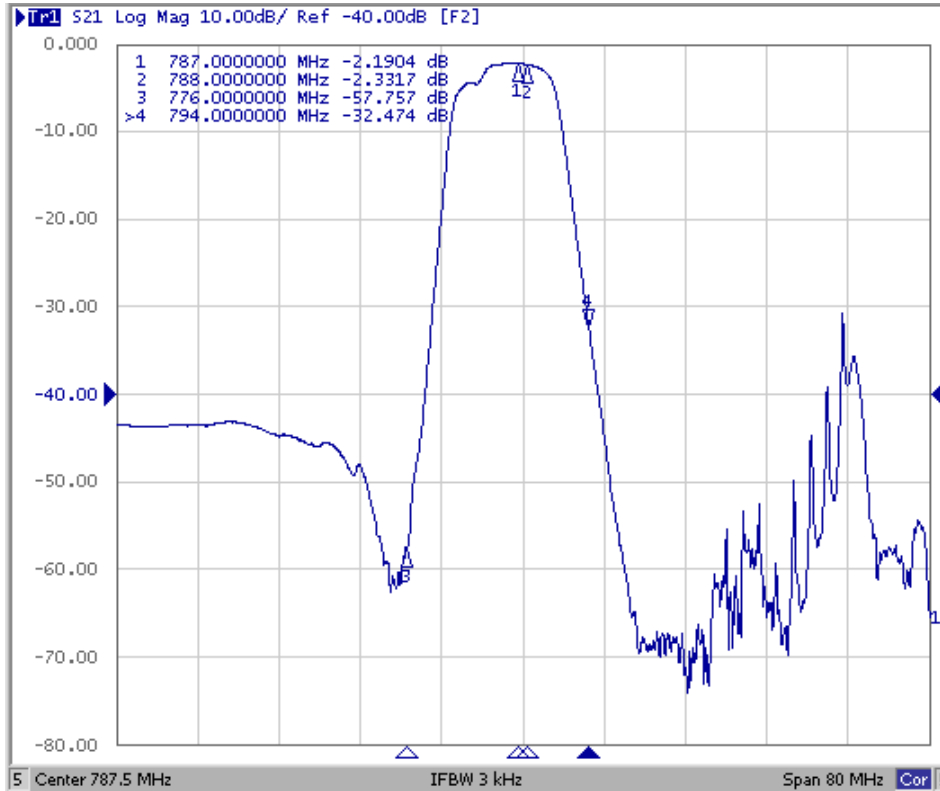


**SAW Filter 787.5MHz**  
**Part No: MP02289**

**Model: TA0823A**  
**Rev No: 1**

**F. FREQUENCY CHARACTERISTICS:**

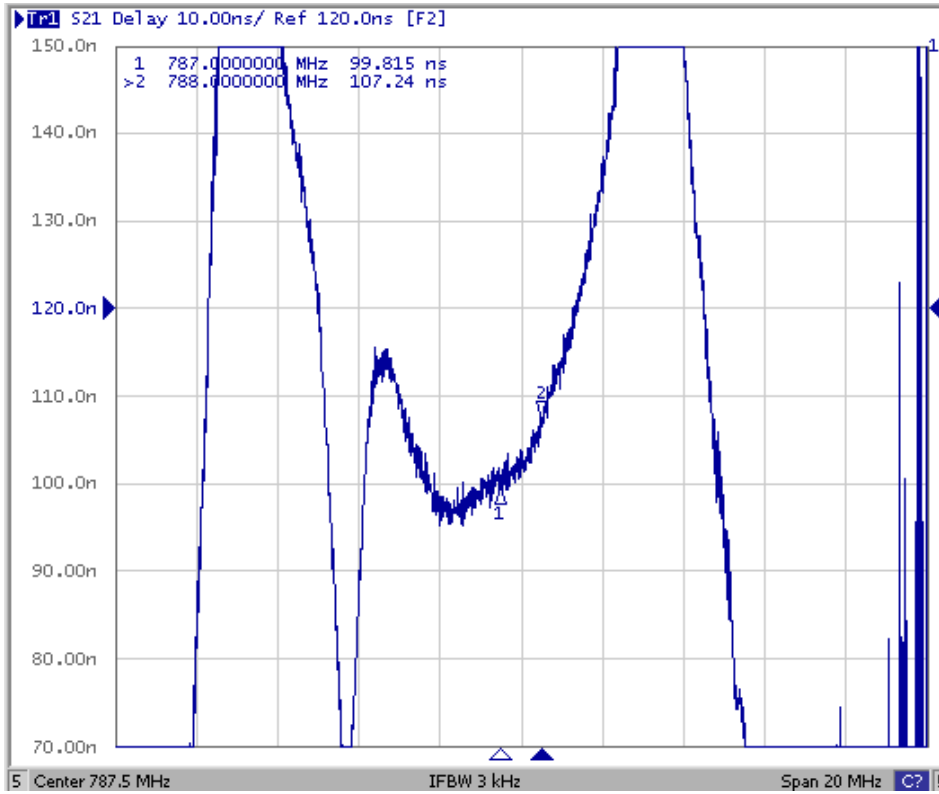
1. Transfer function



**SAW Filter 787.5MHz**  
**Part No: MP02289**

**Model: TA0823A**  
**Rev No: 1**

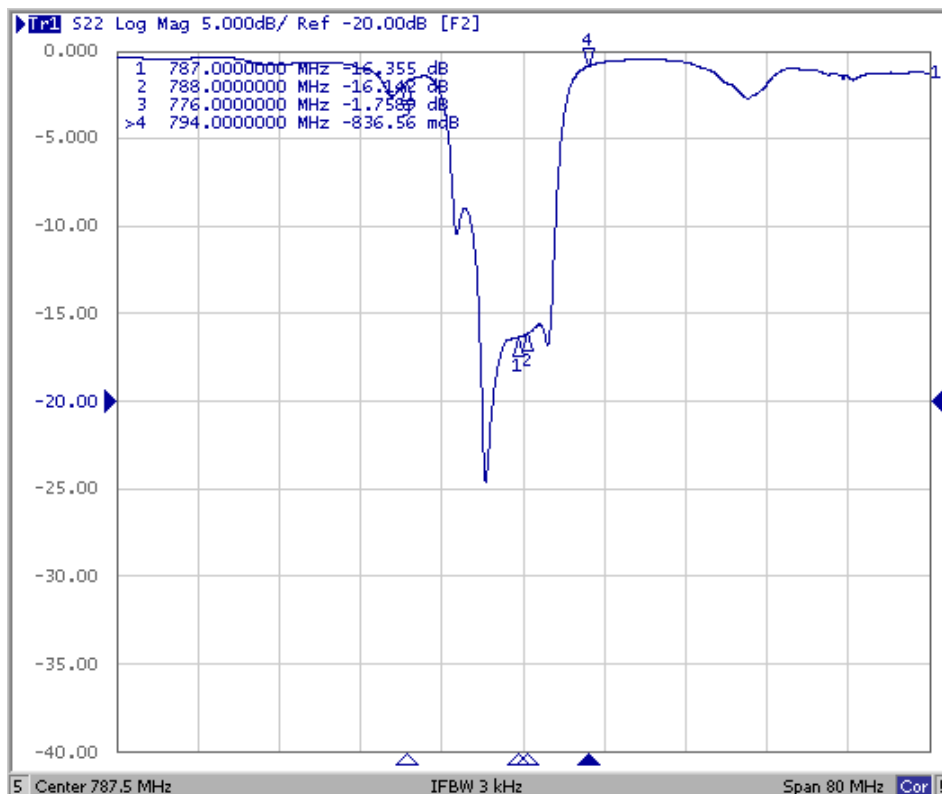
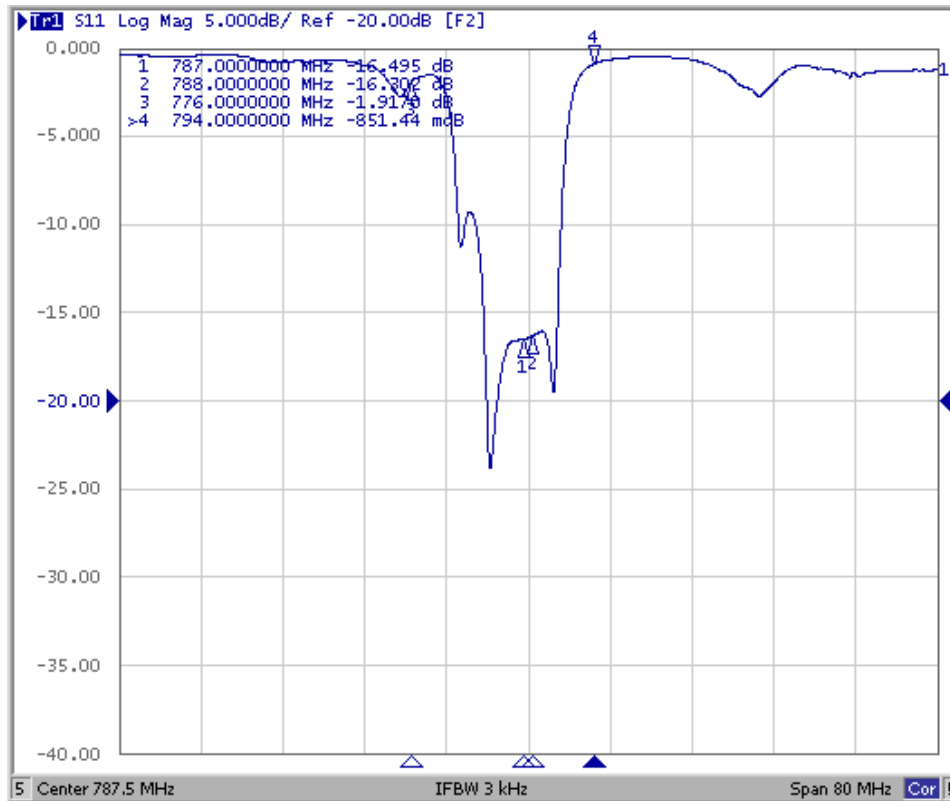
## 2. Group Delay



**SAW Filter 787.5MHz**  
**Part No: MP02289**

**Model: TA0823A**  
**Rev No: 1**

### 3. Reflection Functions

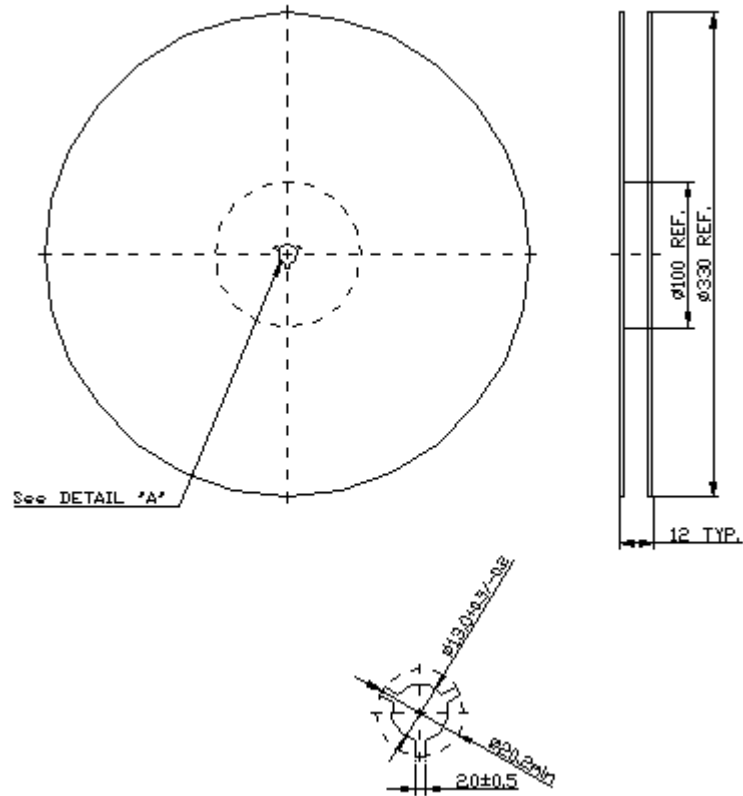


**SAW Filter 787.5MHz**  
**Part No: MP02289**

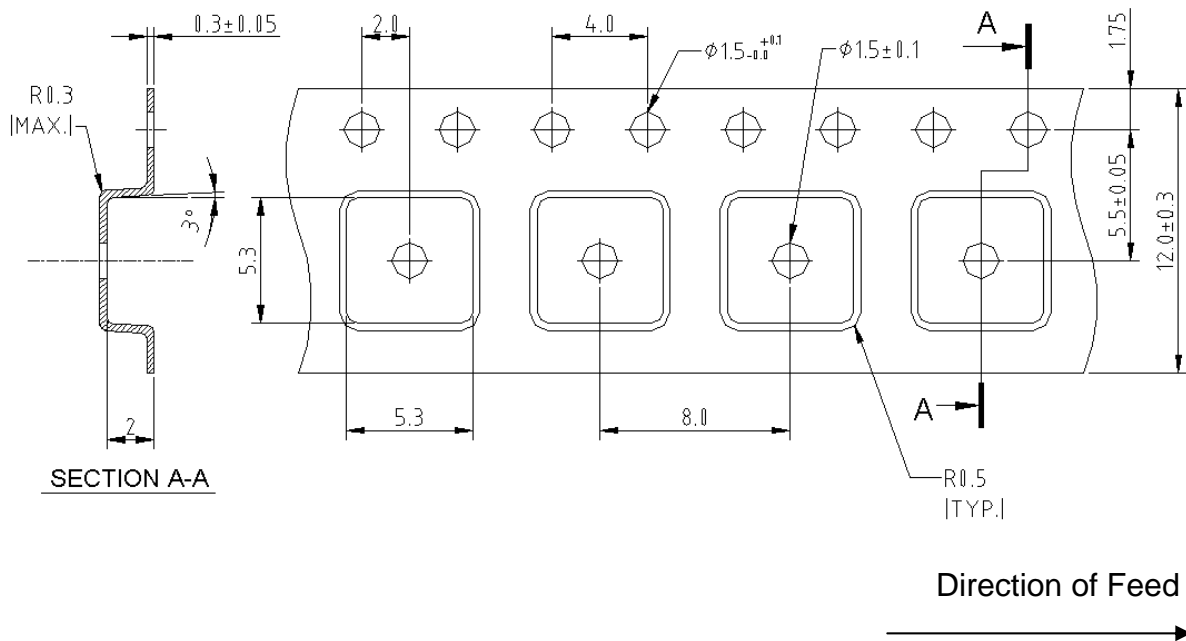
**Model: TA0823A**  
**Rev No: 1**

**G. PACKING:**

1. Reel Dimension



2. Tape Dimension



**SAW Filter 787.5MHz**  
**Part No: MP02289**

**Model: TA0823A**  
**Rev No: 1**

**H. RECOMMENDED REFLOW PROFILE:**

