

SAW Filter 394MHz

Model: TA0559A

Part No: MP02410

REV NO.: 2

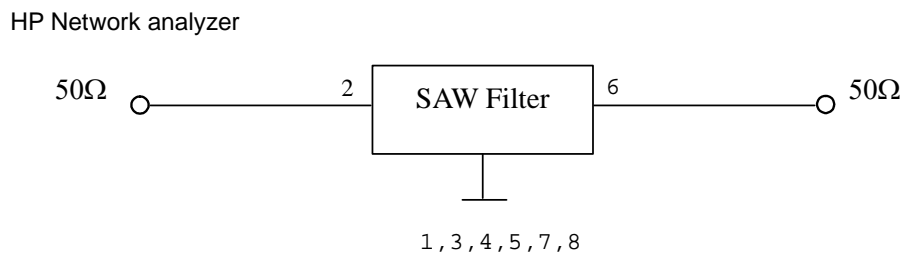
A. MAXIMUM RATING:

1. Input Power Level: 10 dBm
2. DC voltage: 3 V
3. Operating Temperature: -10°C to +50°C
4. Storage Temperature: -40°C to +85°C

B. ELECTRICAL CHARACTERISTICS:

Item	Unit	Min.	Typ.	Max.	
Center frequency F_c	MHz	-	394	-	
Insertion Loss 392~396MHz IL	dB	-	1.7	3.0	
Ripple 392~396MHz	MHz	-	0.4	1.3	
Absolute Attenuation:(Reference level from 0dB)					
$F_c -100$ to $F_c -40$	MHz	dB	53	61	-
$F_c -40$ to $F_c -12$	MHz	dB	48	52	-
$F_c +12$ to $F_c +40$	MHz	dB	35	40	-
$F_c +40$ to $F_c +100$	MHz	dB	50	57	-
Source impedance Z_s	Ω	-	50	-	
Load impedance Z_L	Ω	-	50	-	

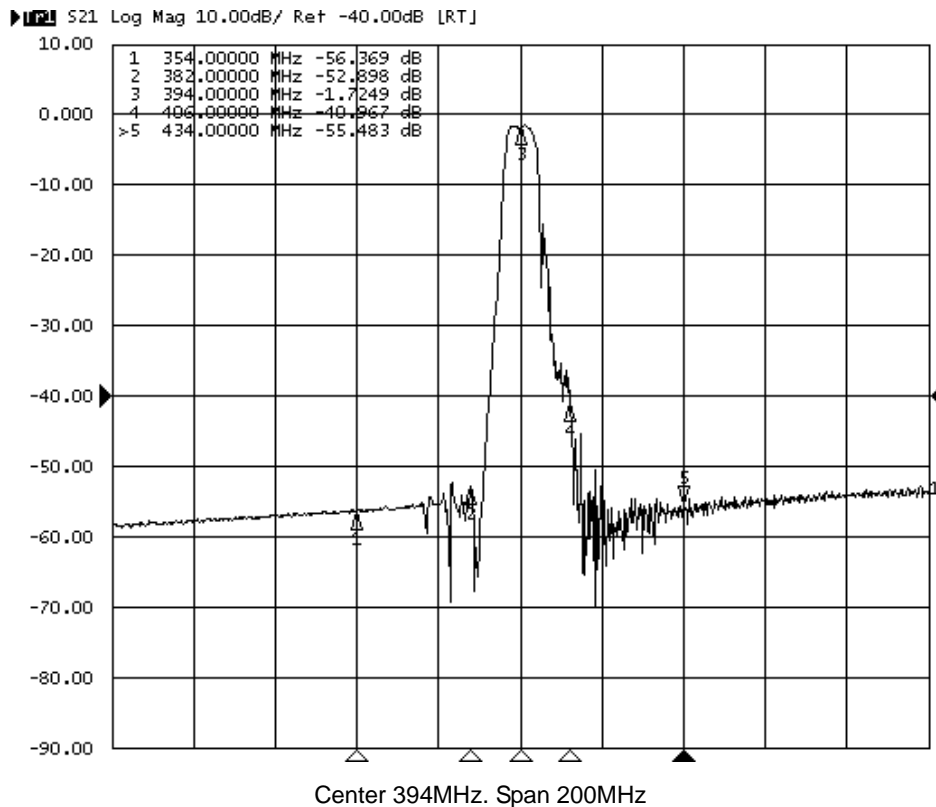
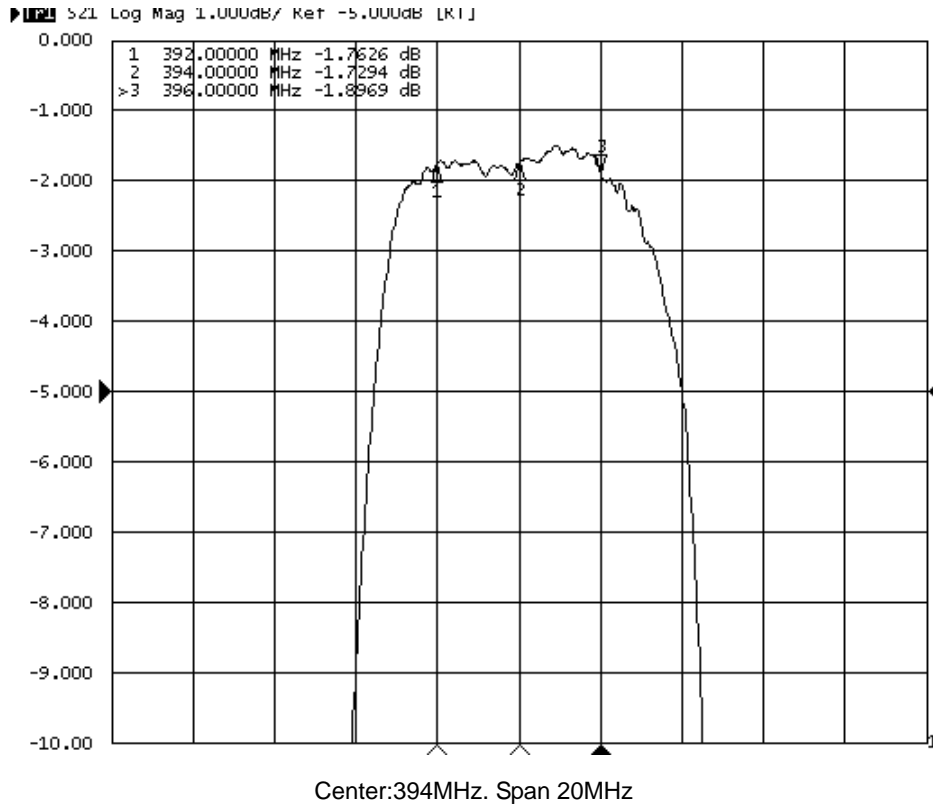
C. MEASUREMENT CIRCUIT:



SAW Filter 394MHz
Part No: MP02410

Model: TA0559A
REV NO.: 2

D. FREQUENCY CHARACTERISTICS:



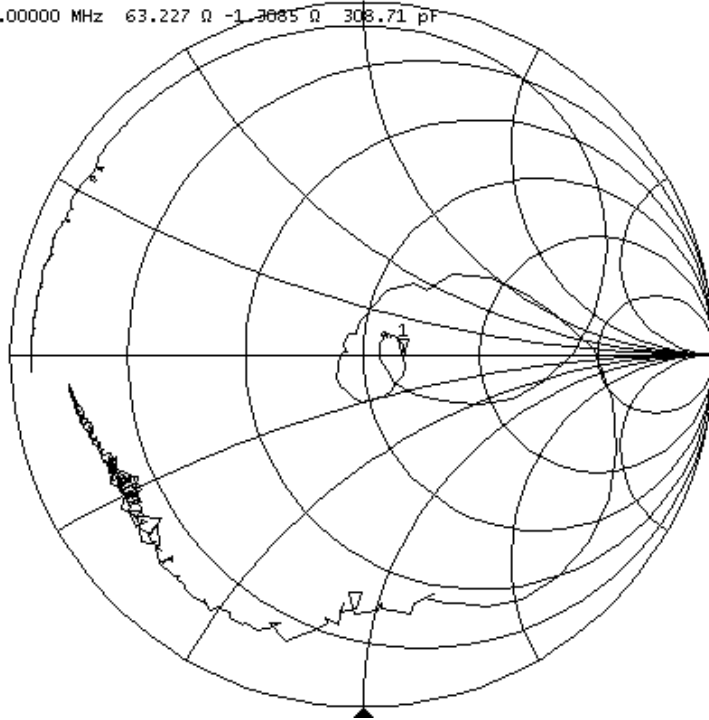
SAW Filter 394MHz
Part No: MP02410

Model: TA0559A
REV NO.: 2

S11

▶ **S11** S11 Smith (R+jX) Scale 1.000U [F2]

>1 394.00000 MHz 63.227 Ω -1.3685 Ω 308.71 pF

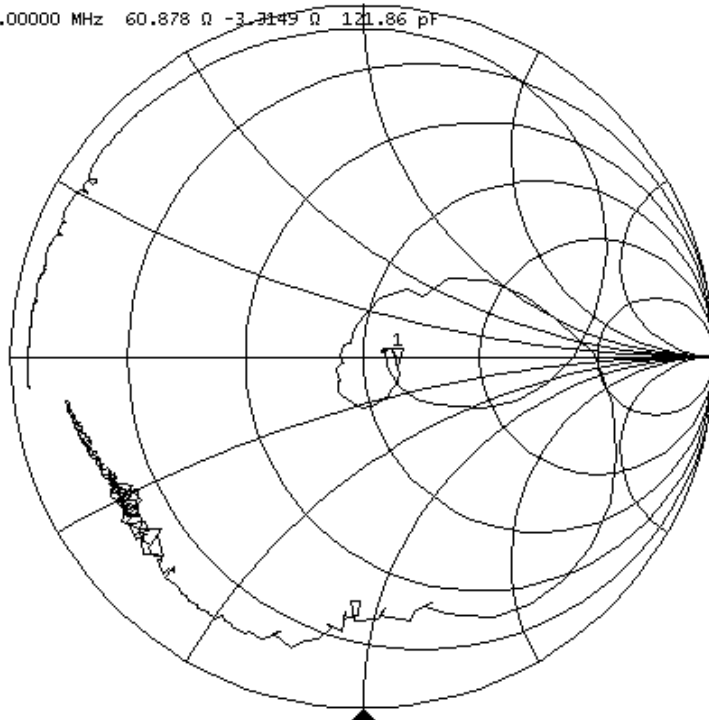


Center 394MHz. Span 100MHz

S22

▶ **S22** S22 Smith (R+jX) Scale 1.000U [F2]

>1 394.00000 MHz 60.878 Ω -3.3149 Ω 121.86 pF

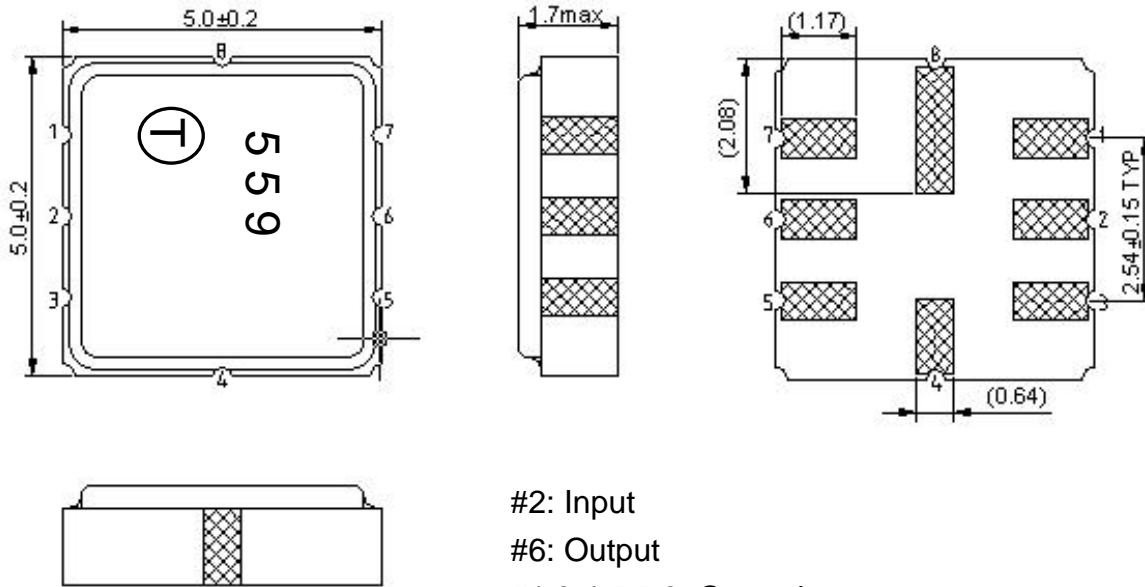


Center 394MHz. Span 100MHz

SAW Filter 394MHz
Part No: MP02410

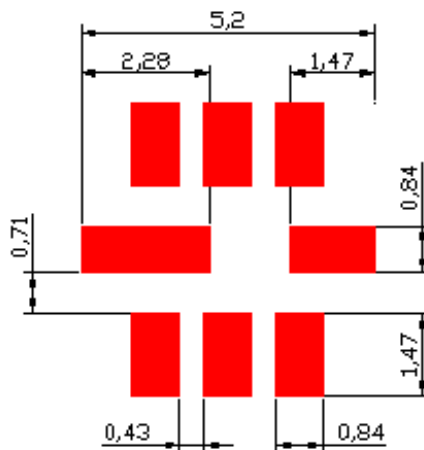
Model: TA0559A
REV NO.: 2

E. OUTLINE DRAWING:



#2: Input
 #6: Output
 #1,3,4,5,7,8: Ground
 Unit: mm

F. PCB FOOTPRINT:

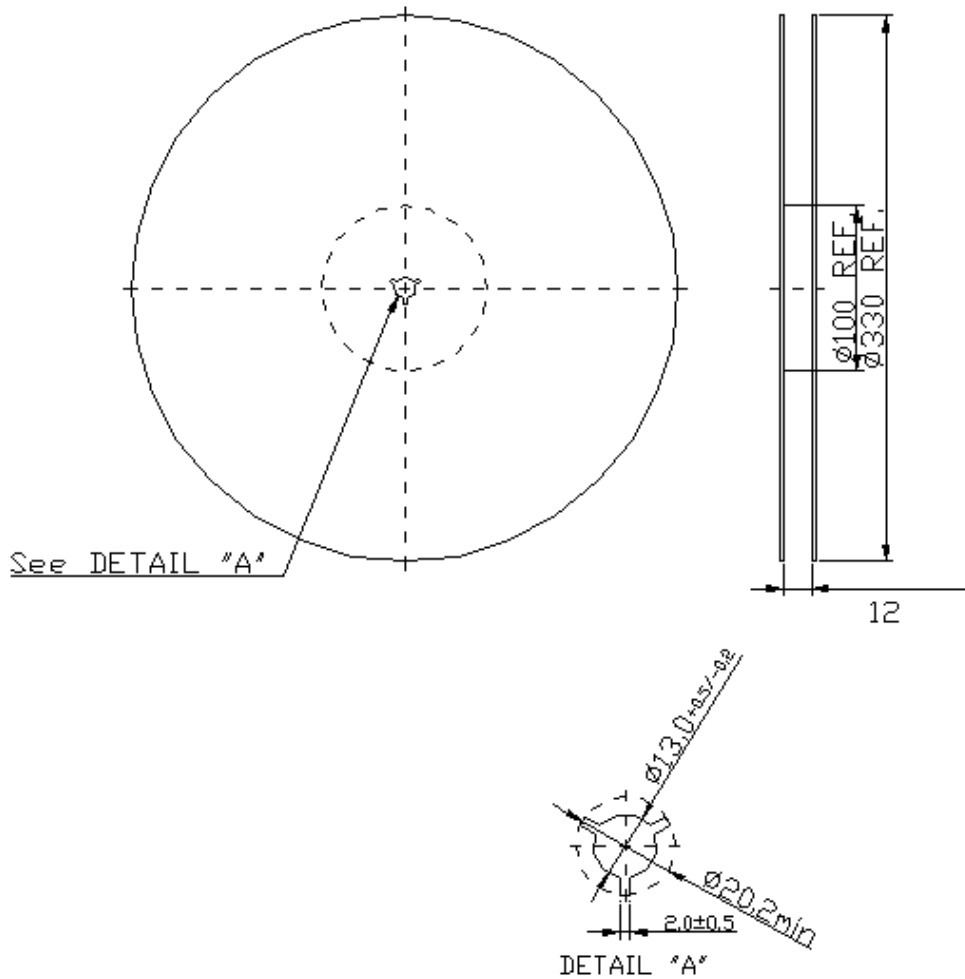


SAW Filter 394MHz
Part No: MP02410

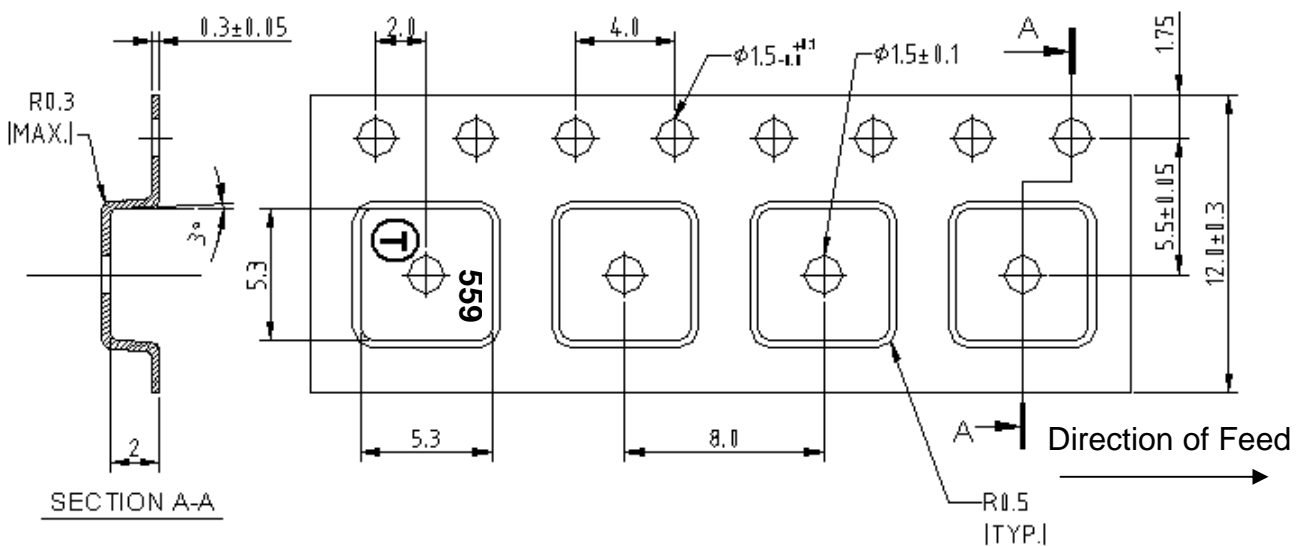
Model: TA0559A
REV NO.: 2

G. PACKING:

1. REEL DIMENSION



2. TAPE DIMENSION



SAW Filter 394MHz

Model: TA0559A

Part No: MP02410

REV NO.: 2

H. RECOMMENDED REFLOW PROFILE:

