

SAW Filter 902.5MHz
Part No: MP02535

Model: TA0992A
Rev No: 1

A. MAXIMUM RATING:

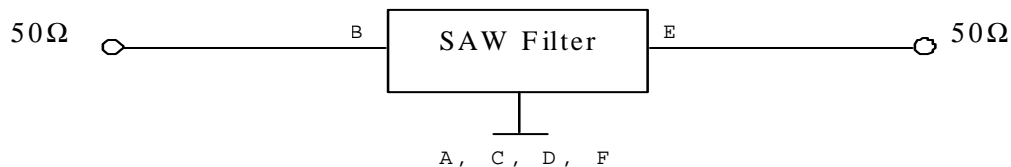
1. Input Power Level: +20 dBm
2. DC Voltage: 3V
3. Operating Temperature: -25°C to +75°C
4. Storage Temperature: -40°C to +85°C

B. ELECTRICAL CHARACTERISTICS:

Item	Unit	Min.	Typ.	Max.	Note
Center Frequency Fc	MHz	-	902.5	-	-
Insertion Loss (890 ~ 915MHz) IL	dB	-	2.55	3.3	-
Amplitude Ripple (890 ~ 915MHz)	dB	-	0.6	1.3	-
VSWR (890 ~ 915MHz)		-	1.6	2.2	-
Attenuation (Reference level from 0dB)					
DC ~ 845MHz	dB	45	54	-	-
935 ~ 980MHz	dB	10	28	-	-
980 ~ 1200MHz	dB	50	55	-	-
1200 ~ 3000MHz	dB	25	30	-	-

C. MEASUREMENT CIRCUIT:

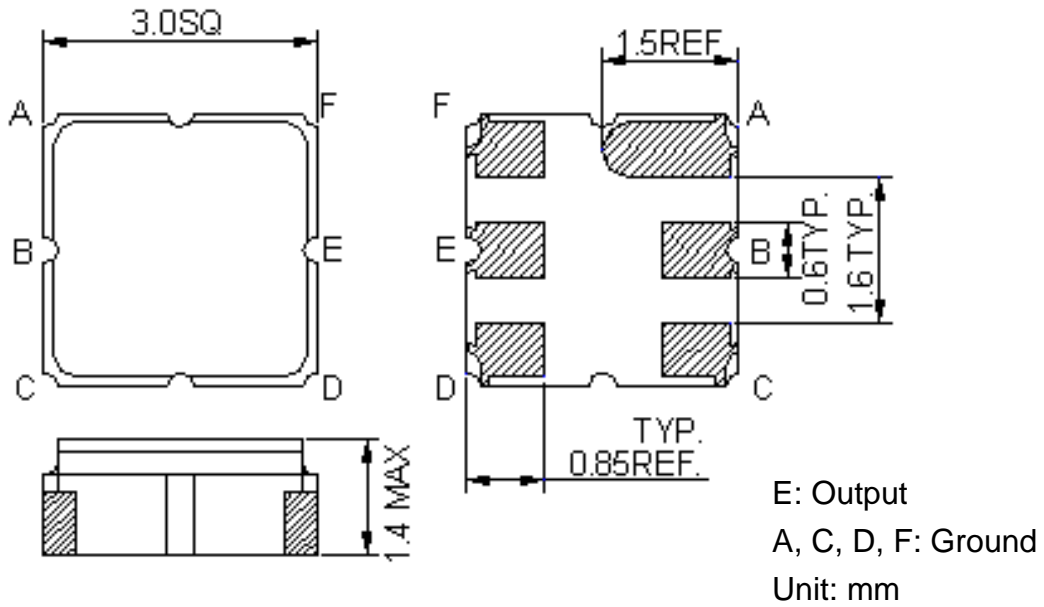
HP Network analyzer



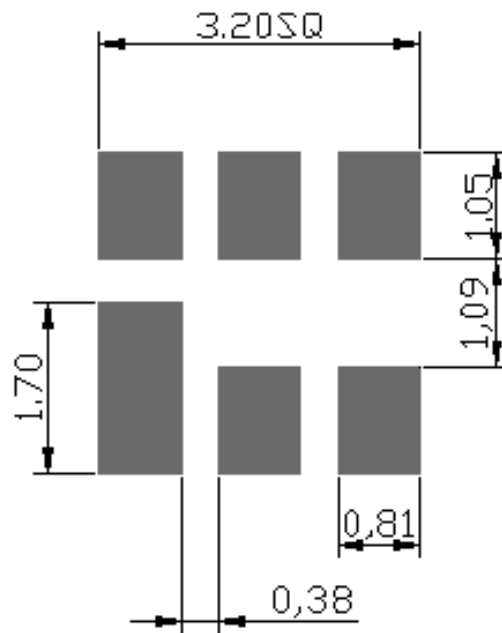
SAW Filter 902.5MHz
Part No: MP02535

Model: TA0992A
Rev No: 1

D. OUTLINE DRAWING:



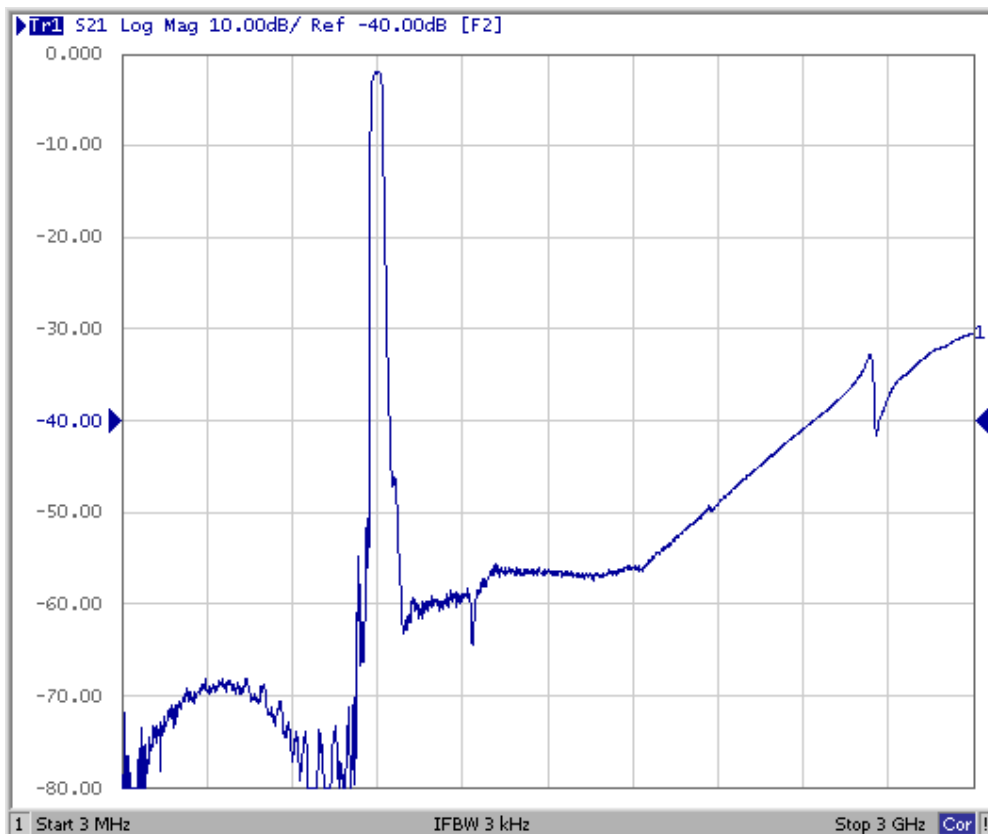
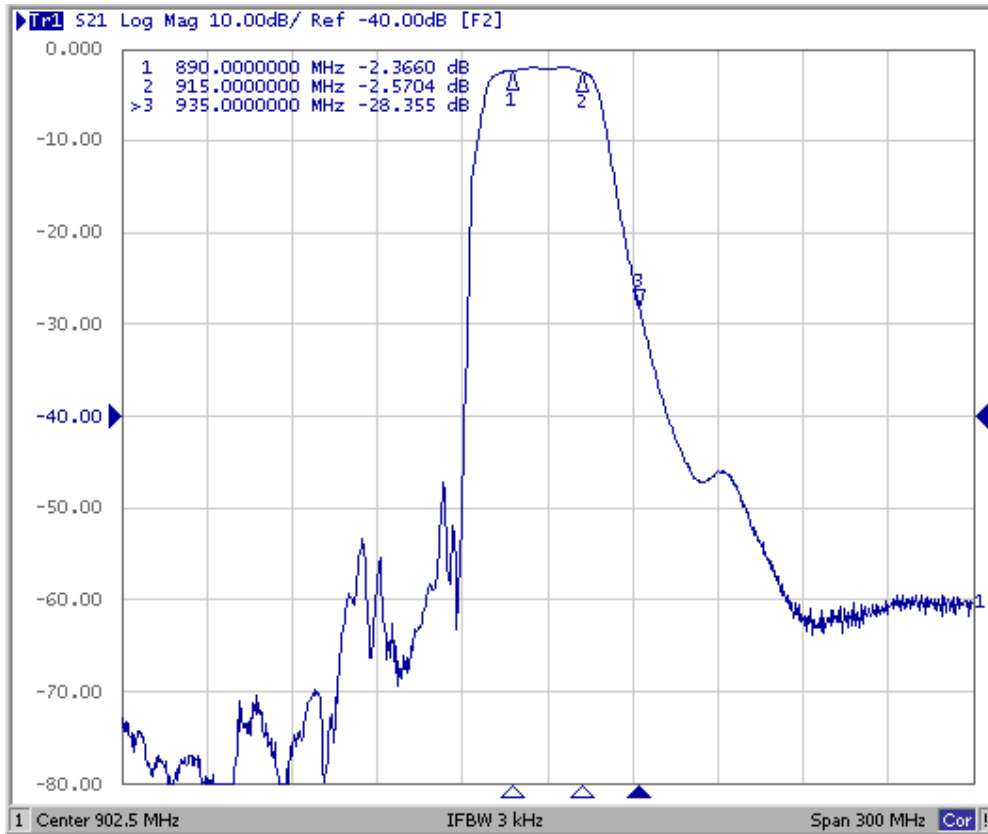
E. PCB FOOTPRINT:



SAW Filter 902.5MHz
Part No: MP02535

Model: TA0992A
Rev No: 1

F. FREQUENCY CHARACTERISTICS:

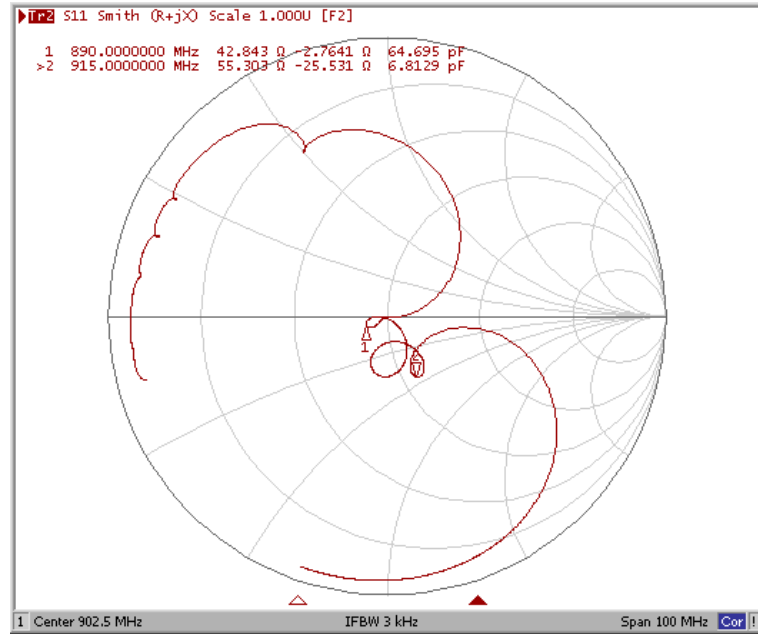
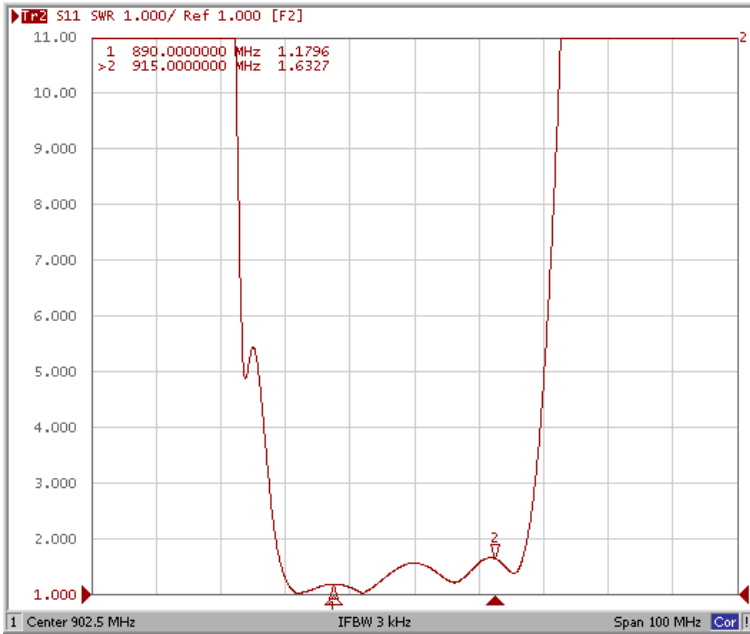


SAW Filter 902.5MHz
Part No: MP02535

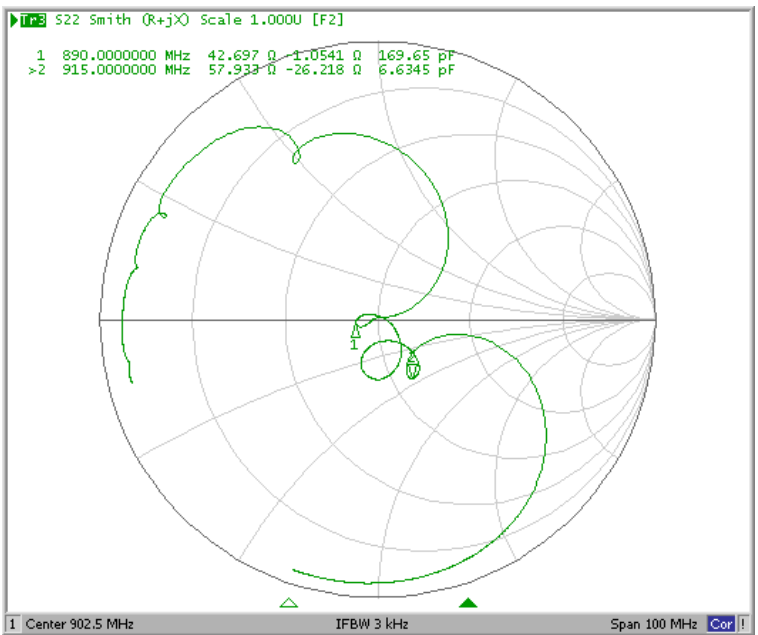
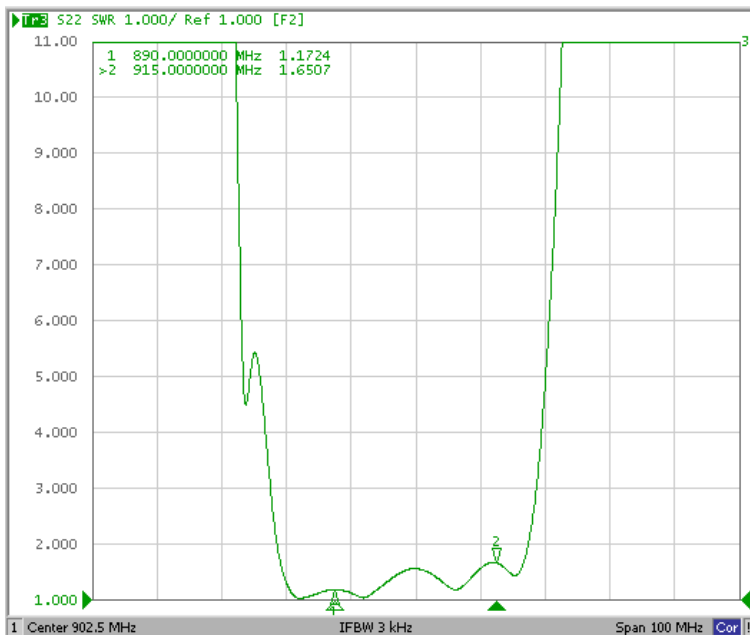
Model: TA0992A
Rev No: 1

Reflection Functions

S11



S22



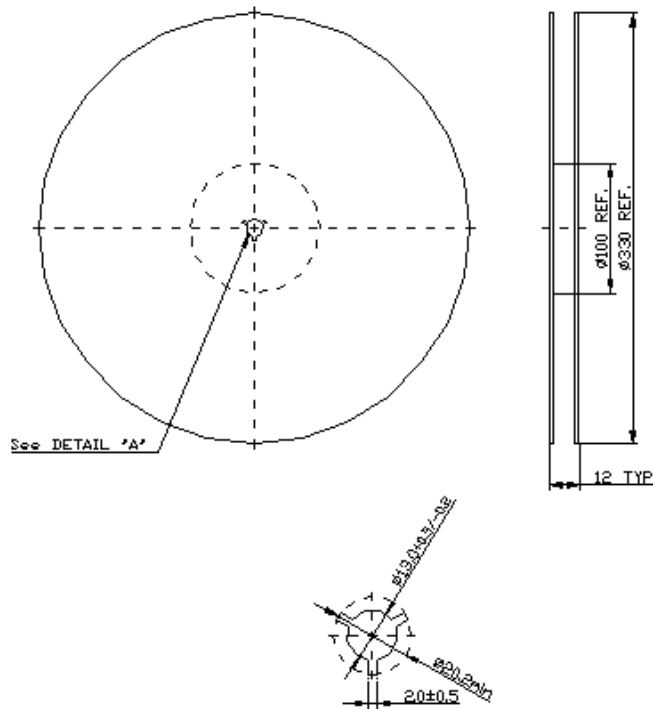
SAW Filter 902.5MHz
Part No: MP02535

Model: TA0992A
Rev No: 1

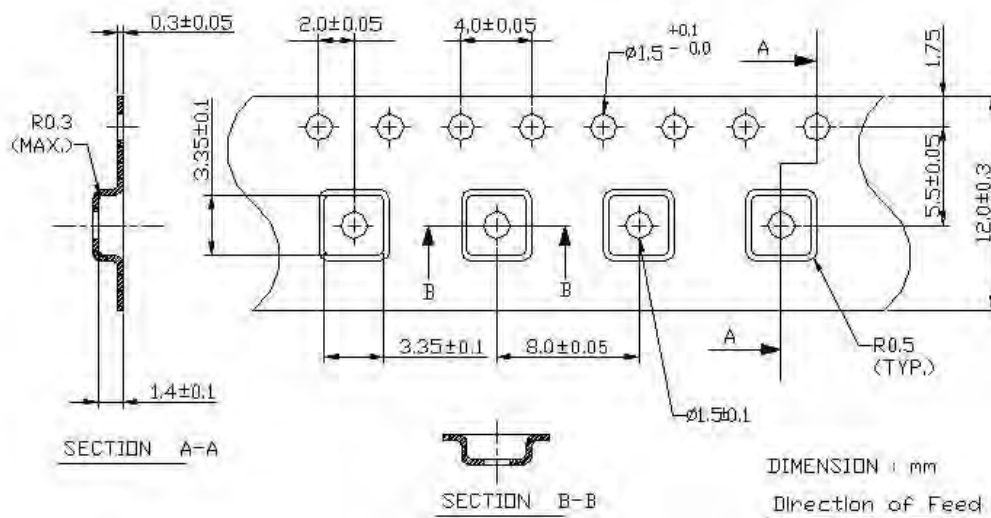
G. PACKING:

1. REEL DIMENSION

(Reel Count: 7" = 1000; 13" = 3000)



2. TAPE DIMENSION



SAW Filter 902.5MHz
Part No: MP02535

Model: TA0992A
Rev No: 1

H. RECOMMENDED REFLOW PROFILE:

