
SAW Filter 480MHz**Model: TB0606A****Part No: MP02597****REV. NO.: 1**

A. MAXIMUM RATING:

1. Input Power Level: 10dBm
2. Operating Temperature: -40°C to 60°C
3. Storage Temperature: -40°C to 85°C

B. ELECTRICAL CHARACTERISTICS:

Ambient Temperature: 25°C

Item	Unit	Min.	Type.	Max.	Note
Center frequency, Fc	MHz	479	480	481	-
Insertion Loss at Fo, IL	dB	-	12	18	-
Passband Ripple 460~500 MHz	dB	-	0.7	1.0	-
Attenuation:(Reference level from Fc)					
417~436.8 MHz	dBc	38	50	-	-
525~545 MHz	dBc	38	50	-	-
Temp. Coefficient	ppm/°C	-	-94	-	-
Load Impedance	Ohm	-	50	-	-

SAW Filter 480MHz
Part No: MP02597

Model: TB0606A
REV. NO.: 1

C. Frequency Characteristics:

1. S21 Response

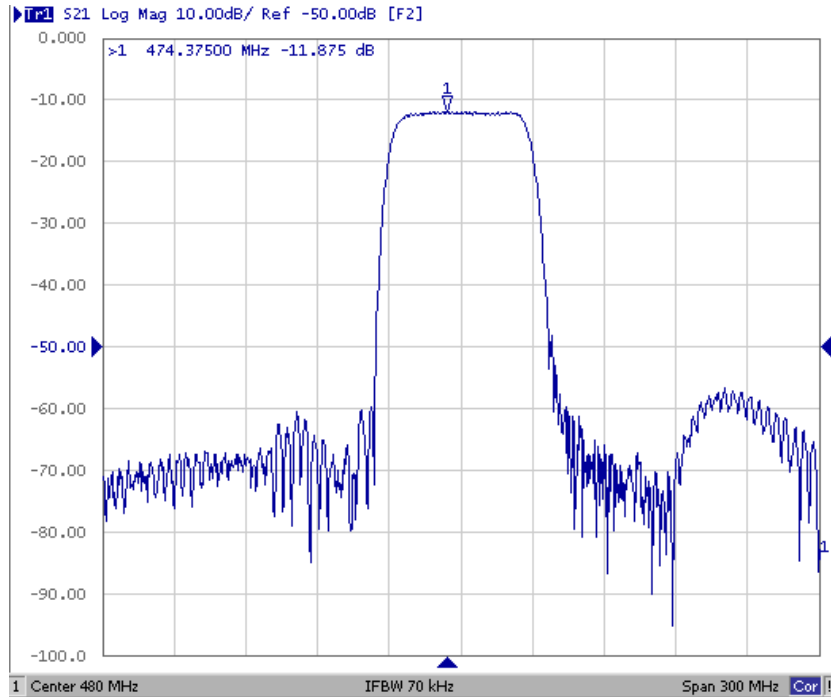


Fig1. Horizontal: 30MHz/Div Vertical: 10dB/Div

2. S21 Response (narrow band)

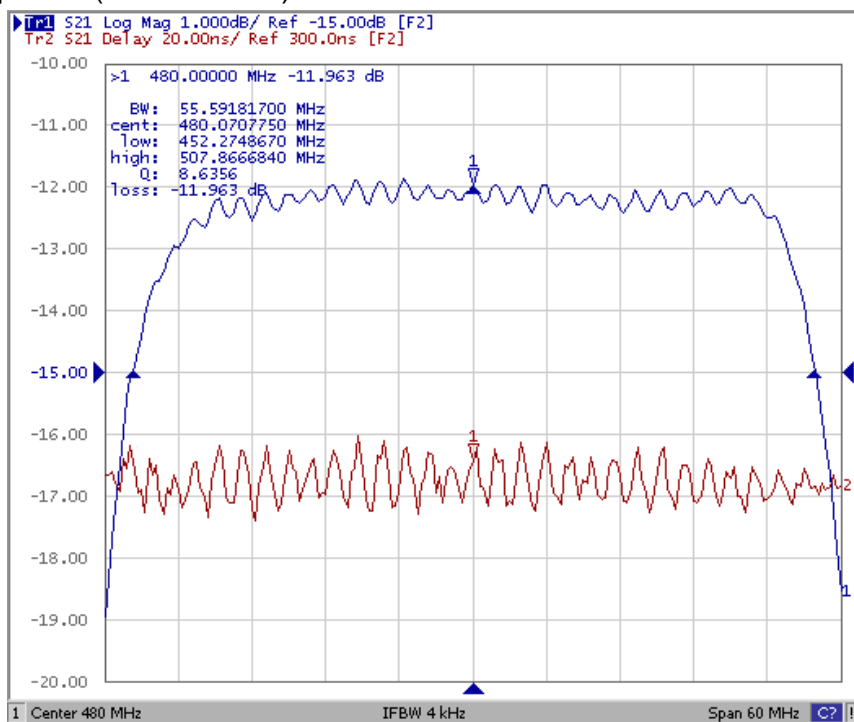


Fig2. Horizontal: 6MHz/Div Vertical: 1dB/Div. Vertical: 20ns/Div

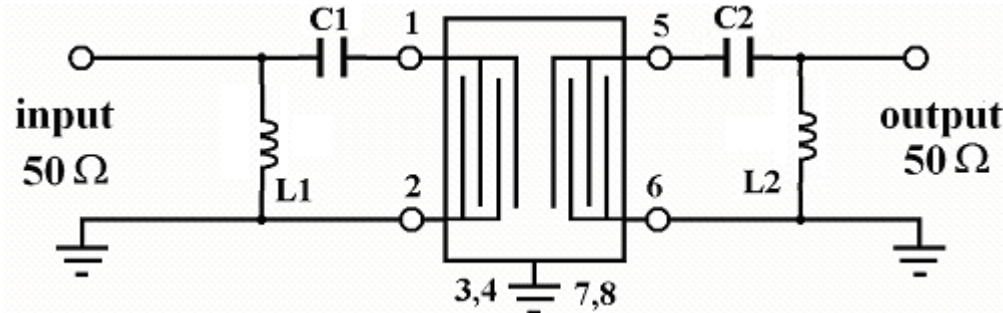
SAW Filter 480MHz

Model: TB0606A

Part No: MP02597

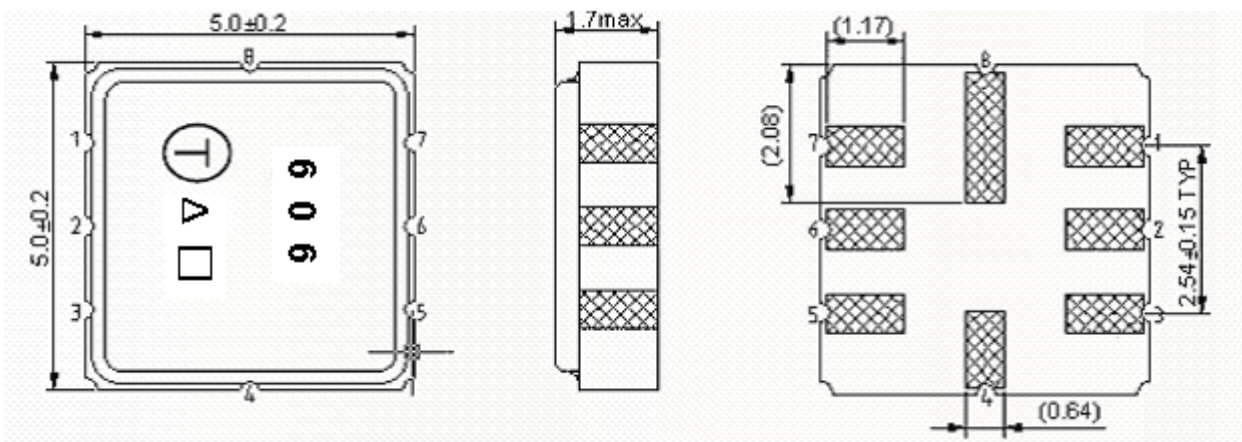
REV. NO.: 1

D. MEASUREMENT CIRCUIT:



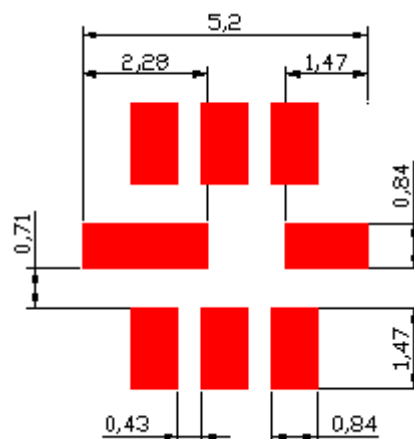
L1=10nH L2=18nH C1=12pF C2=12pF

E. OUTLINE DRAWING:



- #1 –Input
 - #2 –Input ground
 - #5 – Output
 - #6 – Output ground
 - #3,4,7,8 – Ground
- Unit : mm

F. PCB Footprint:

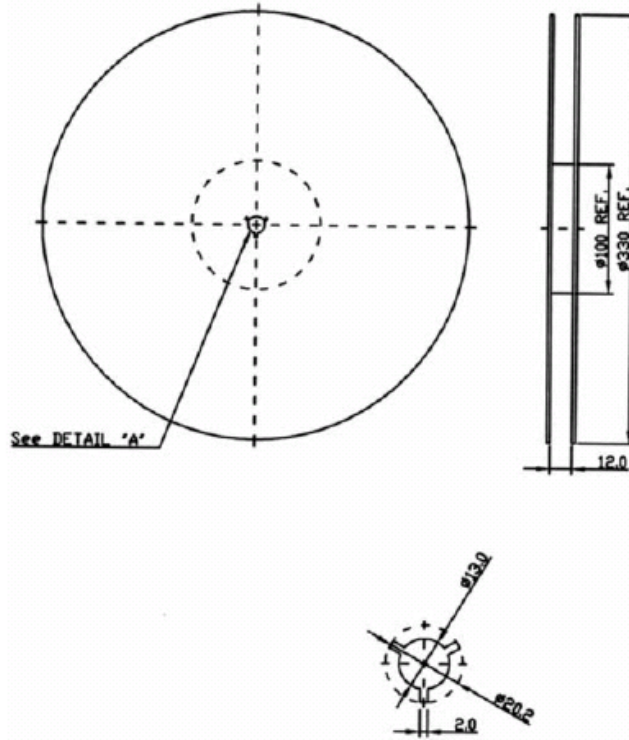


SAW Filter 480MHz
Part No: **MP02597**

Model: TB0606A
REV. NO.: 1

G. PACKING:

1. REEL DIMENSION:



2. TAPE DIMENSION:

