

SAW Resonator: 1000.0MHz
Part No: MP02638

Model: TC0528A
Rev No: 2

A. FEATURES:

Electrostatic Sensitive Device

One - Port Resonator

B. MAXIMUM RATING:

1. Input Power Level: 10dBm
2. DC voltage: 3V
3. Operating Temperature: -40°C to +85°C
4. Storage Temperature: -40°C to +85°C

C. ELECTRICAL CHARACTERISTICS:

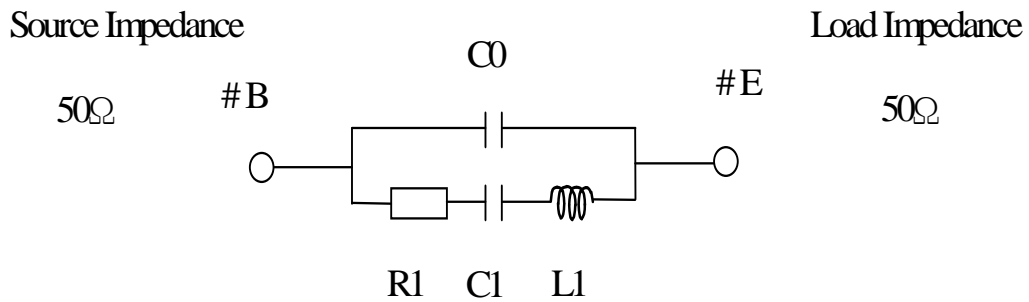
Characteristics	Unit	Min.	Typ.	Max.
Center frequency Fr	MHz	999.875	1000.000	1000.125
Insertion Loss IL	dB	-	1.30	2.0
Equivalent Elements				
Motional capacitance C1	fF	-	1.66	-
Motional inductance L1	μH	-	15.3	-
Motional resistance R1	Ohm	-	10.7	-
Parallel capacitance Co	pF	-	2.75	-
Temp. coeff.	ppm/c*2	-	0.032	-
Turnover To	deg.C	-	25	-
Package size	SMD 3.0 X 3.0 X 1.4mm			

SAW Resonator: 1000.0MHz
Part No: MP02638

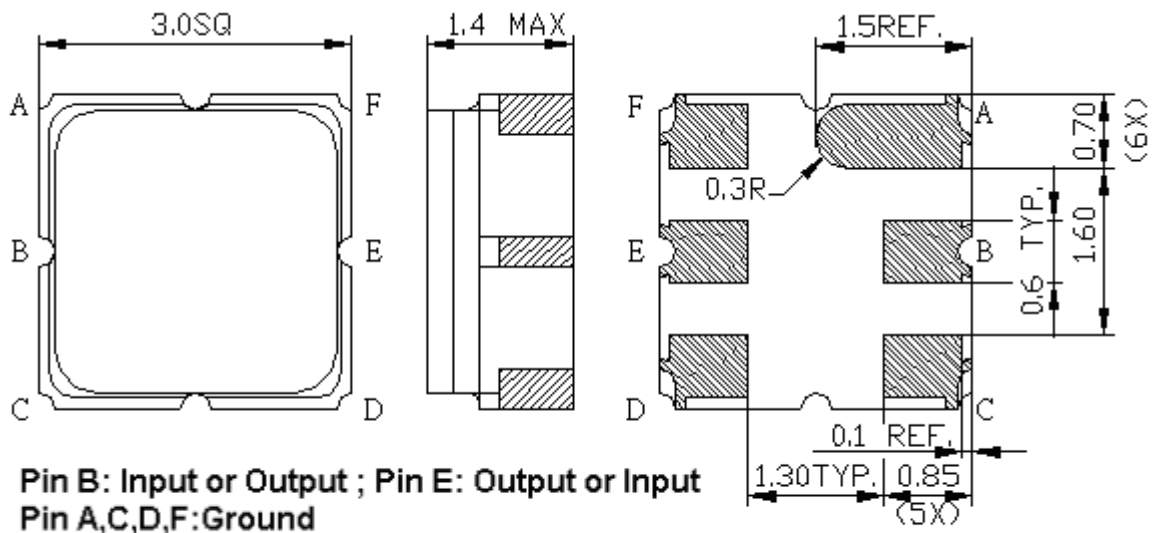
Model: TC0528A
Rev No: 2

D. EQUIVALENT CIRCUIT:

One-Port Resonator:



E. OUTLINE DRAWING:

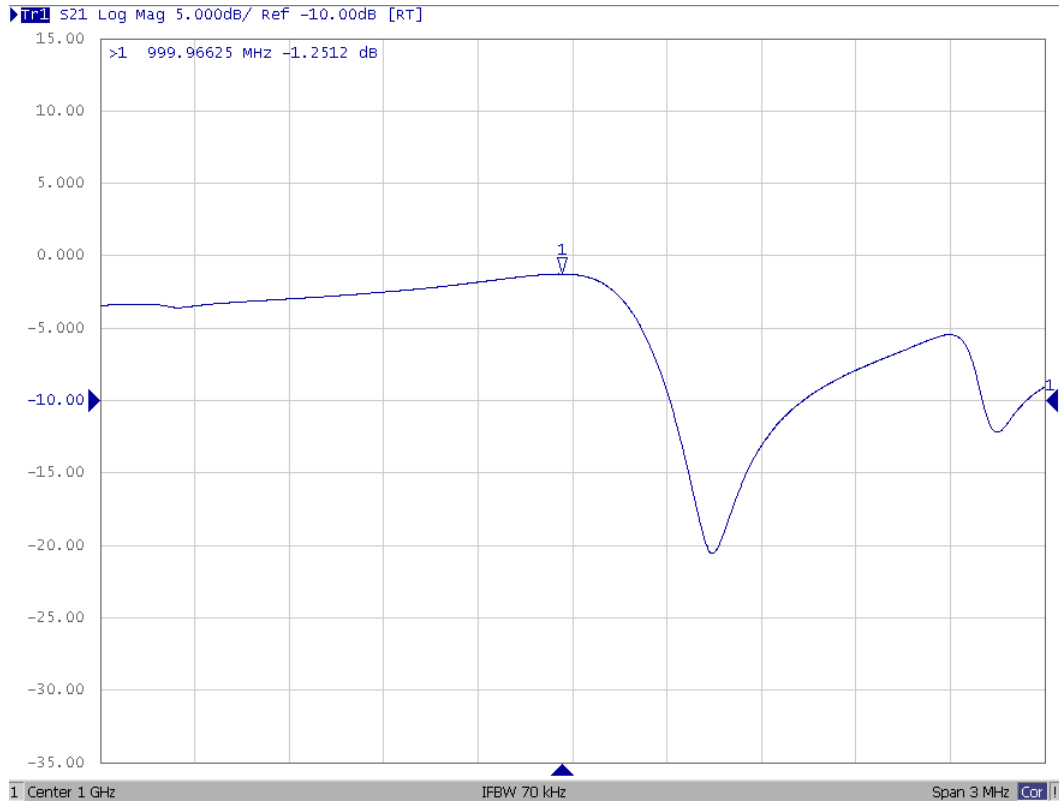


Unit : mm

SAW Resonator: 1000.0MHz
Part No: MP02638

Model: TC0528A
Rev No: 2

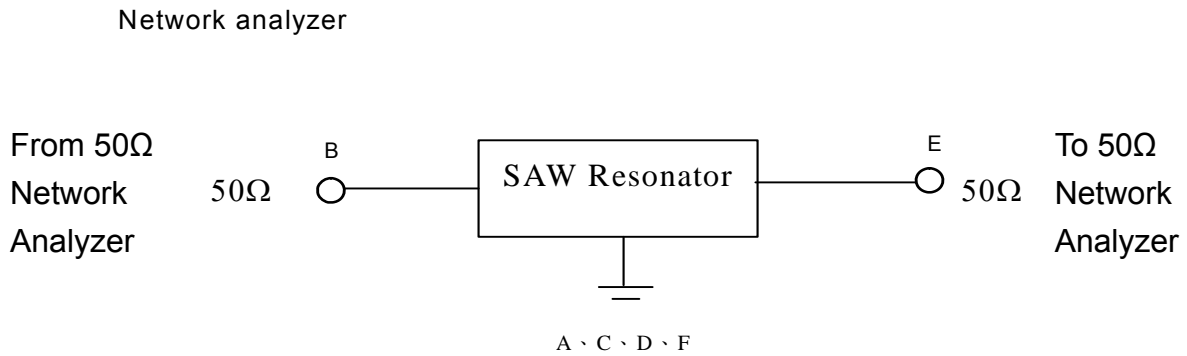
F. FREQUENCY CHARACTERISTICS:



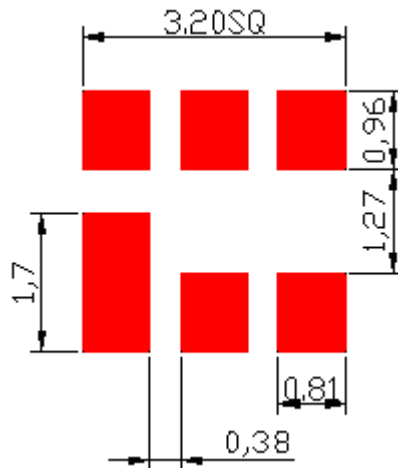
SAW Resonator: 1000.0MHz
Part No: MP02638

Model: TC0528A
Rev No: 2

G. TEST CIRCUIT:



H. LAND PATTERN:

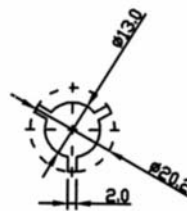
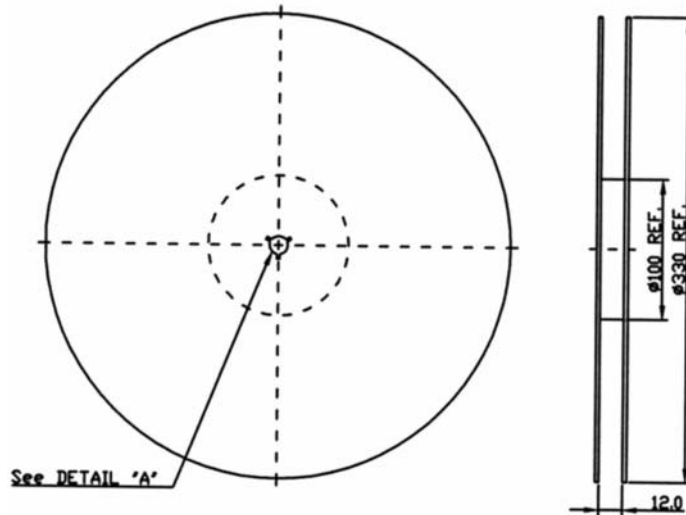


SAW Resonator: 1000.0MHz
Part No: MP02638

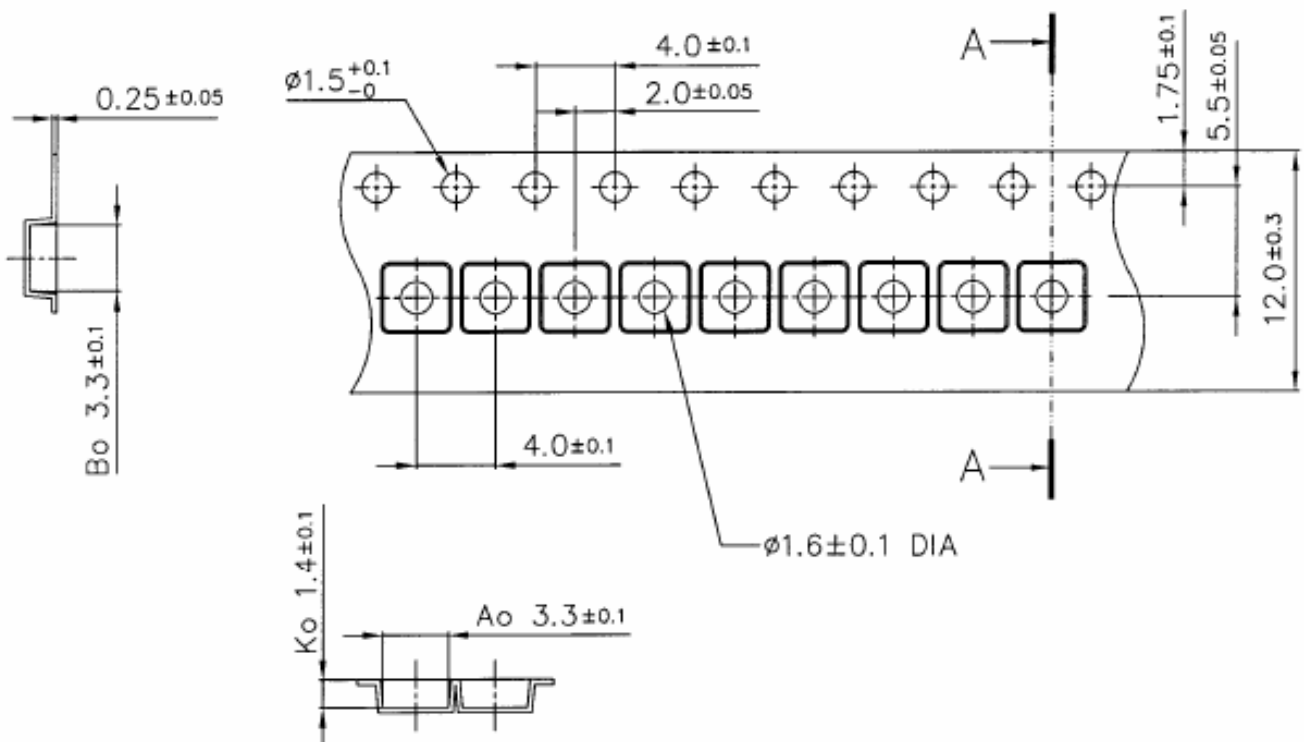
Model: TC0528A
Rev No: 2

I. PACKING:

1. Reel Dimension (Please refer to FR-75D10 for packing quantity)



2. Tape Dimension



SAW Resonator: 1000.0MHz
Part No: MP02638

Model: TC0528A
Rev No: 2

J. RECOMMENDED REFLOW PROFILE:

1. Preheating shall be fixed at 150 ~ 180°C for 60 ~ 90 seconds.
 2. Ascending time to preheating temperature 150°C shall be 30 seconds min.
 3. Heating shall be fixed at 220°C for 50 ~ 80 seconds and at 245 ~ 260°C peak (min. 10 sec).
- Time: 2 times.

