
SAW Filter 333.04MHz

Model: TB0787A

Part No: MP02661

REV. NO.: 1

A. MAXIMUM RATING:

1. Operating Temperature: -30 °C ~ +85 °C
2. Storage Temperature: -40 °C ~ +85 °C
3. Input power: 10dBm

B. CHARACTERISTICS:

Ambient Temperature: 25 °C

Item	Unit	Min	Typ	Max
Center Frequency	MHz	-	333.04	-
Insertion Loss (Fc ± 3.5 MHz)	dB	-	10.5	15
Passband Ripple (Fc ± 3.5 MHz)	dB	-	0.6	1.0
1dB BW	MHz	7	8.3	-
45dB BW	MHz	-	18.5	19
Attenuation 1 @ 10 ~ 321 MHz	dB	40	43	-
Attenuation 2 @ 345 ~ 600 MHz	dB	40	43	-

SAW Filter 333.04MHz
Part No: MP02661

Model: TB0787A
REV. NO.: 1

C. FREQUENCY CHARACTERISTICS:

1. S21 Response: (span : 50MHz)

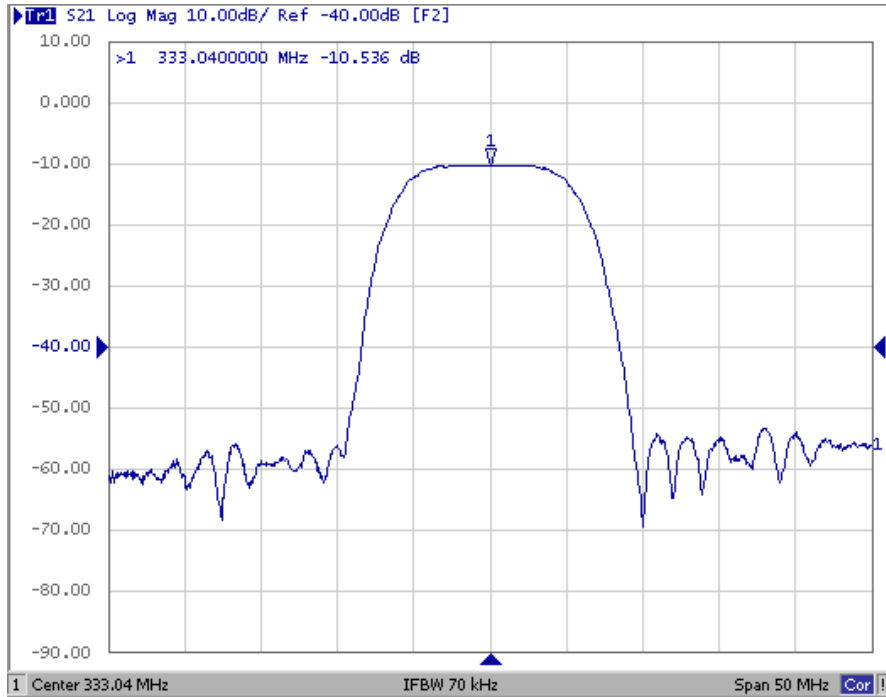


Fig1. Horizontal: 5MHz/Div Vertical: 10dB/Div

2. Group-Delay Ripple: (span : 20MHz)

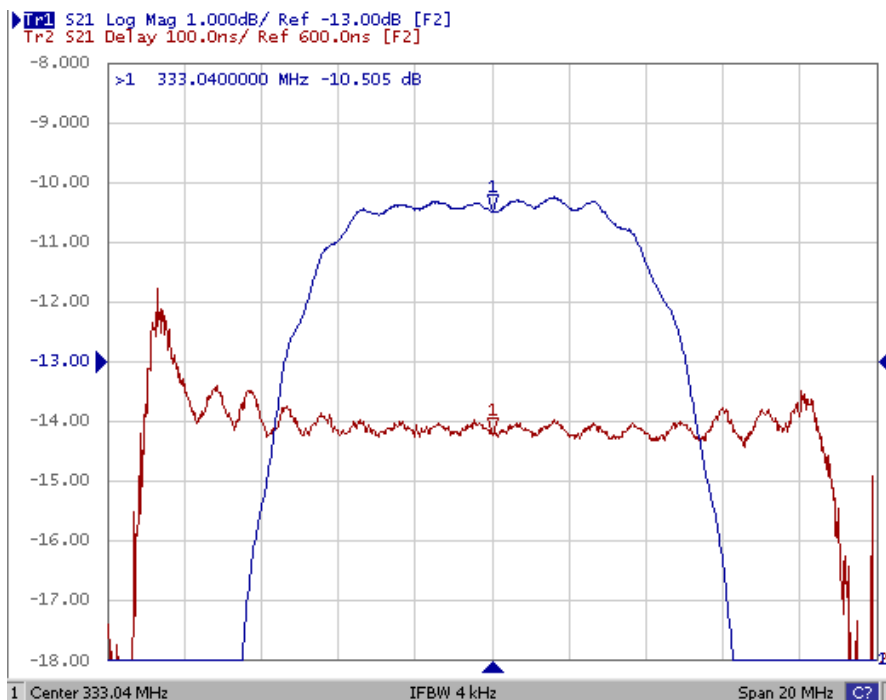
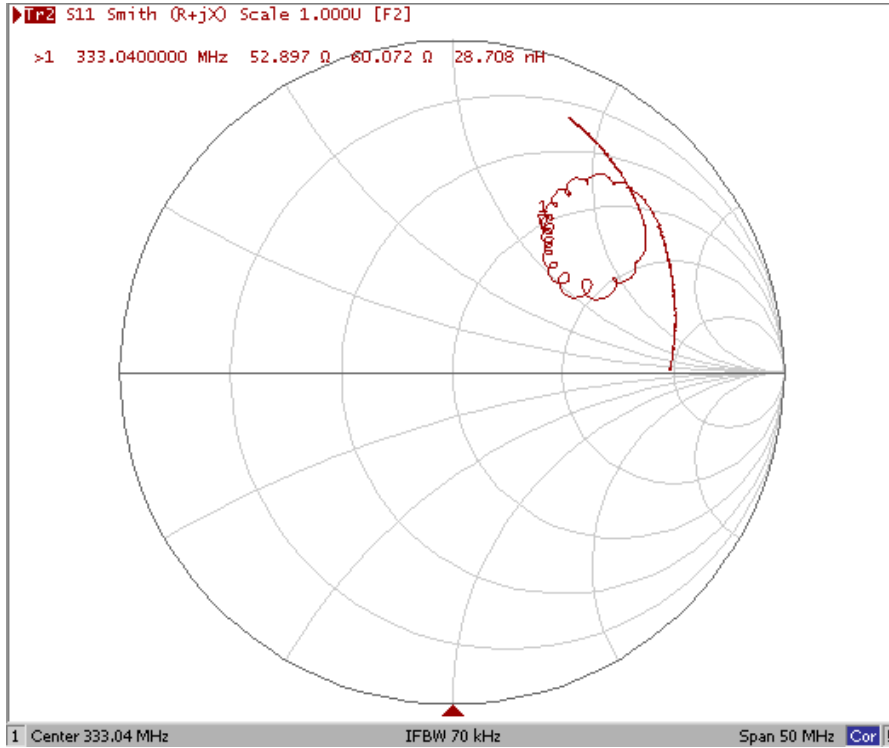


Fig2. Horizontal: 2.0MHz/Div Vertical: 100nec/Div

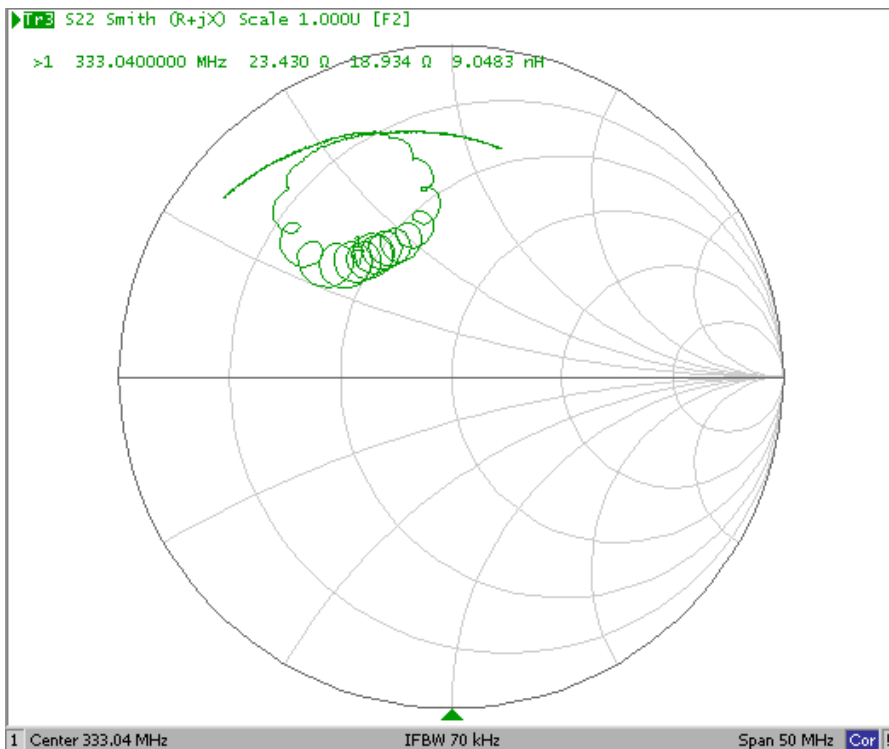
SAW Filter 333.04MHz
Part No: MP02661

Model: TB0787A
REV. NO.: 1

3. S11 Smith Chart: (span : 50MHz)



4. S22 Smith Chart (span : 50MHz)



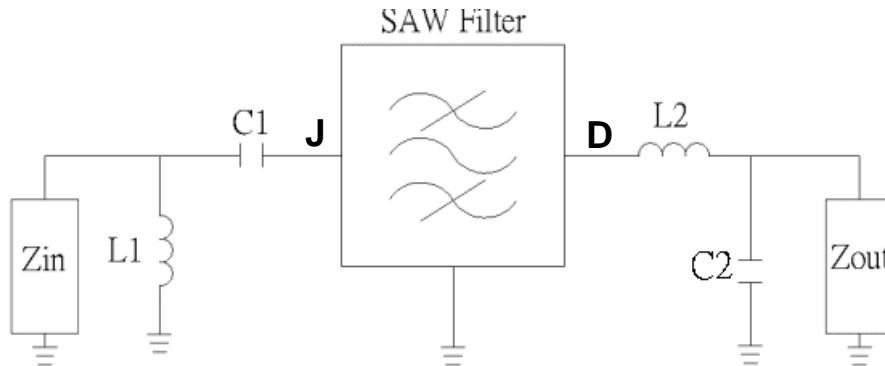
SAW Filter 333.04MHz

Model: TB0787A

Part No: **MP02661**

REV. NO.: 1

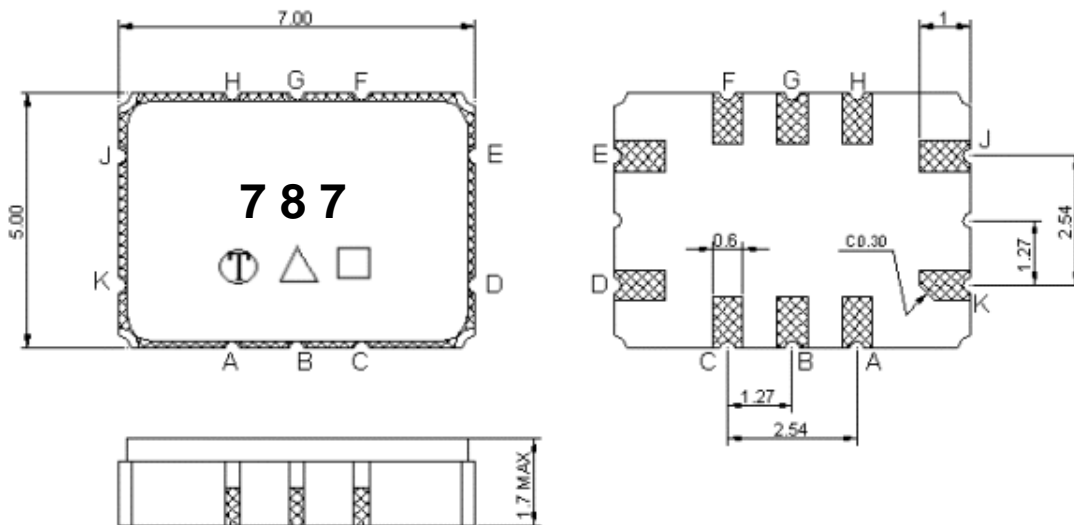
D. MEASUREMENT CIRCUIT:



Z_{in} and Z_{out} are $50\ \Omega$.

$L1=12\text{ nH}, C1=82\text{ pF}, L2=18\text{ nH}, C2=10\text{ pF}$

E. OUTLINE DRAWING:



- Pin J: RF input
- Pin D: RF output
- Pin K,E: Case Ground
- Pin A, B, C, F, G, H: Ground
- Unit : mm

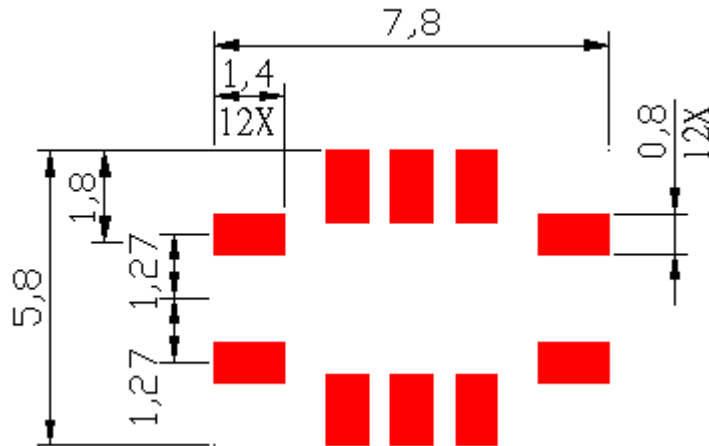
SAW Filter 333.04MHz

Model: TB0787A

Part No: MP02661

REV. NO.: 1

F. PCB FOOTPRINT:



Unit: mm

SAW Filter 333.04MHz

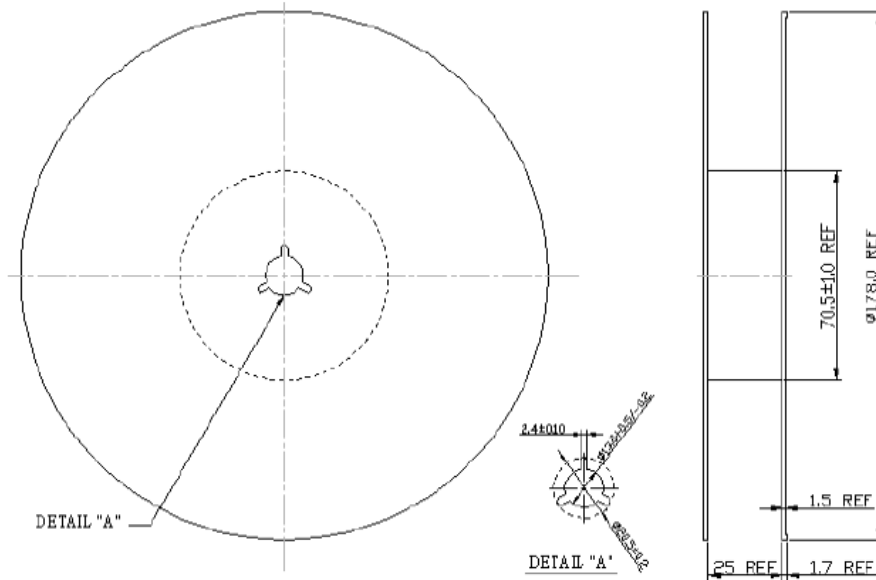
Model: TB0787A

Part No: MP02661

REV. NO.: 1

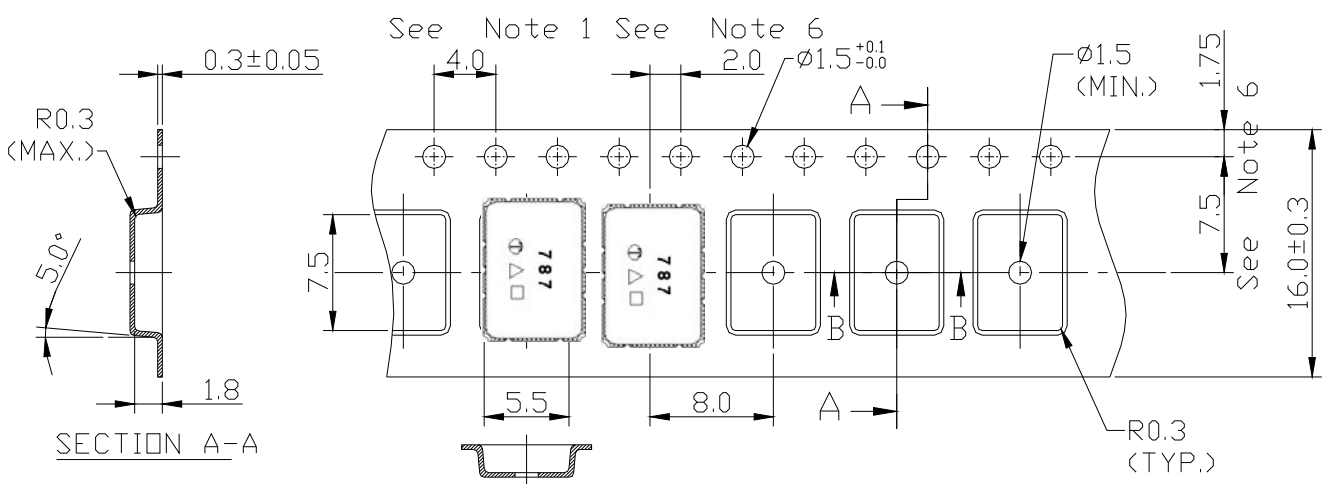
G. PACKING:

1. REEL DIMENSION



Unit: mm

2. TAPE DIMENSION



Unit: mm

SAW Filter 333.04MHz

Model: TB0787A

Part No: MP02661

REV. NO.: 1

H. RECOMMENDED REFLOW PROFILE:

