

**SAW Filter 716MHz**

**Model: TA0958A**

**Part No: MP02684**

**REV. NO.: 1**

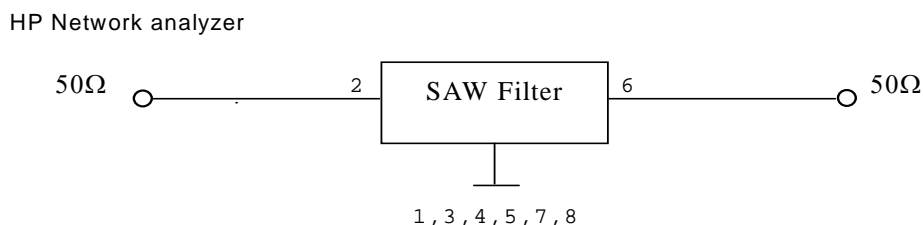
**A. MAXIMUM RATING:**

1. Input Power Level: 10 dBm
2. DC Voltage : 3V
3. Operating Temperature: -20°C to +75°C
4. Storage Temperature: -40°C to +85°C

**B. ELECTRICAL CHARACTERISTICS:**

Item	Unit	Min.	Typ.	Max.	Note
Center Frequency Fc	MHz	-	716	-	-
Insertion loss (710~722MHz) IL	dB	-	1.5	4.5	-
Amplitude Ripple (710 ~ 722 MHz)	dB	-	0.5	2	-
Group Delay Variation (710~722 MHz)	ns	-	20	45	-
Attenuation (Reference level from 0 dB)					
0 ~ 619 MHz	dB	37	41	-	-
619 ~ 669 MHz	dB	37	42	-	-
669 ~ 685 MHz	dB	30	50	-	-
740 ~ 755 MHz	dB	30	52	-	-
769 ~ 819 MHz	dB	35	44	-	-
819 ~ 1000 MHz	dB	38	44	-	-
1000 ~ 1500 MHz	dB	25	44	-	-
Temperature Coefficient of Frequency	Ppm/°C	-	-35	-	-

**C. MEASUREMENT CIRCUIT:**



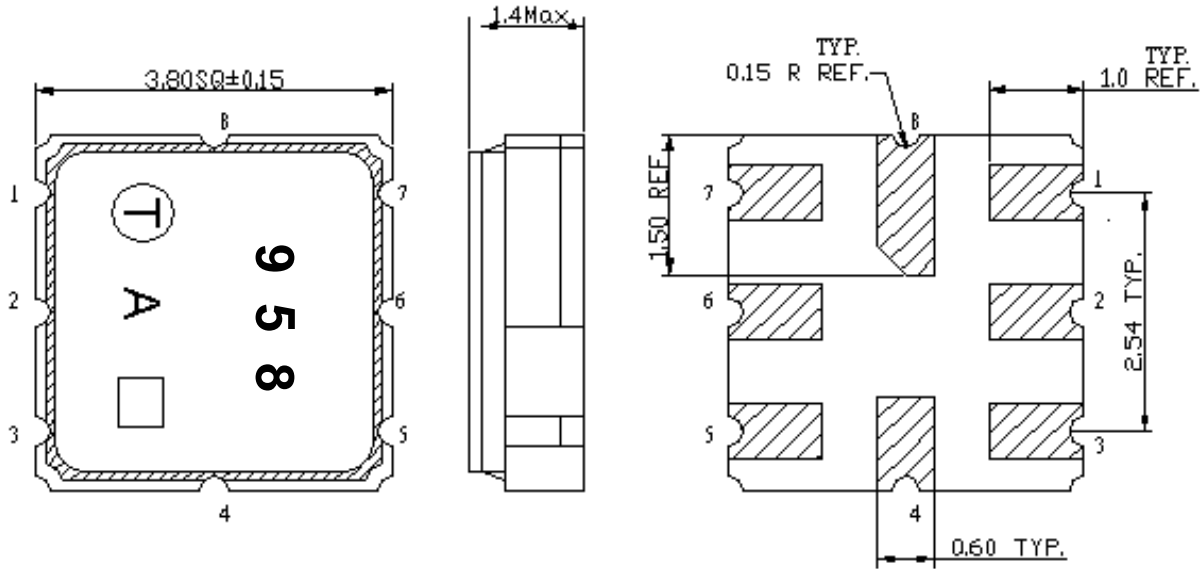
**SAW Filter 716MHz**

**Model: TA0958A**

**Part No: MP02684**

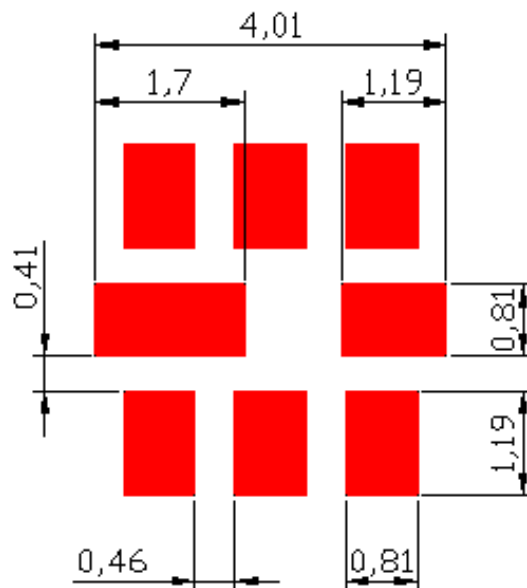
**REV. NO.: 1**

**D. OUTLINE DRAWING:**



2 : Input  
 6: Output  
 1,3,4,5,7,8: Ground  
 Unit: mm

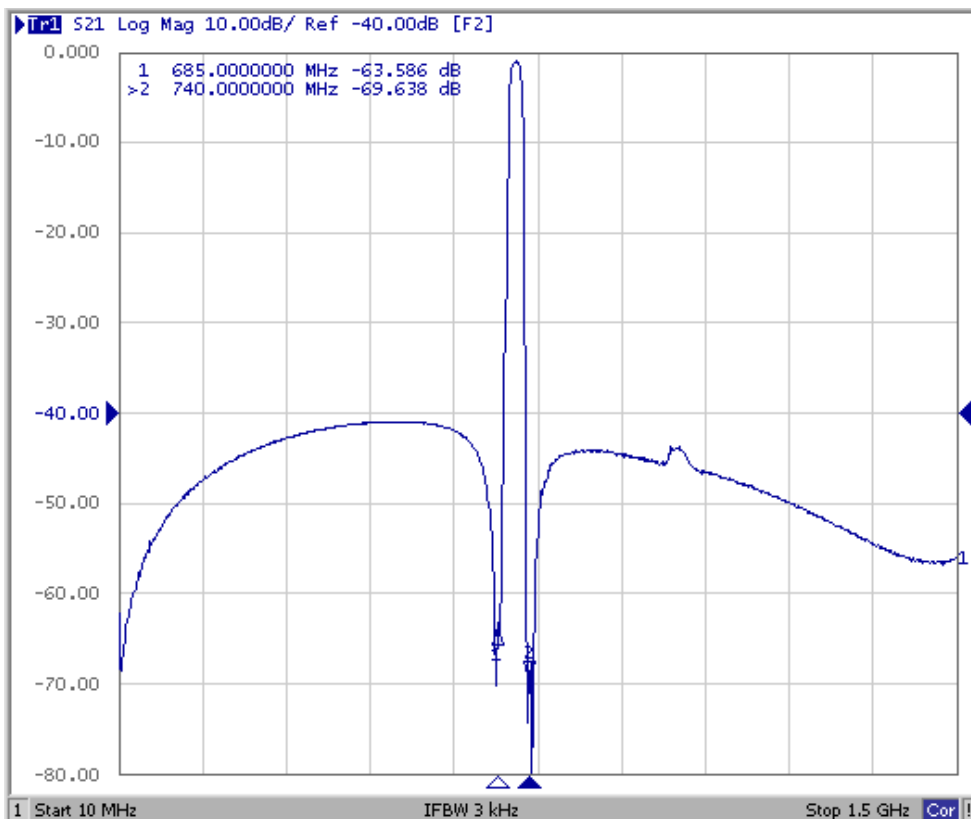
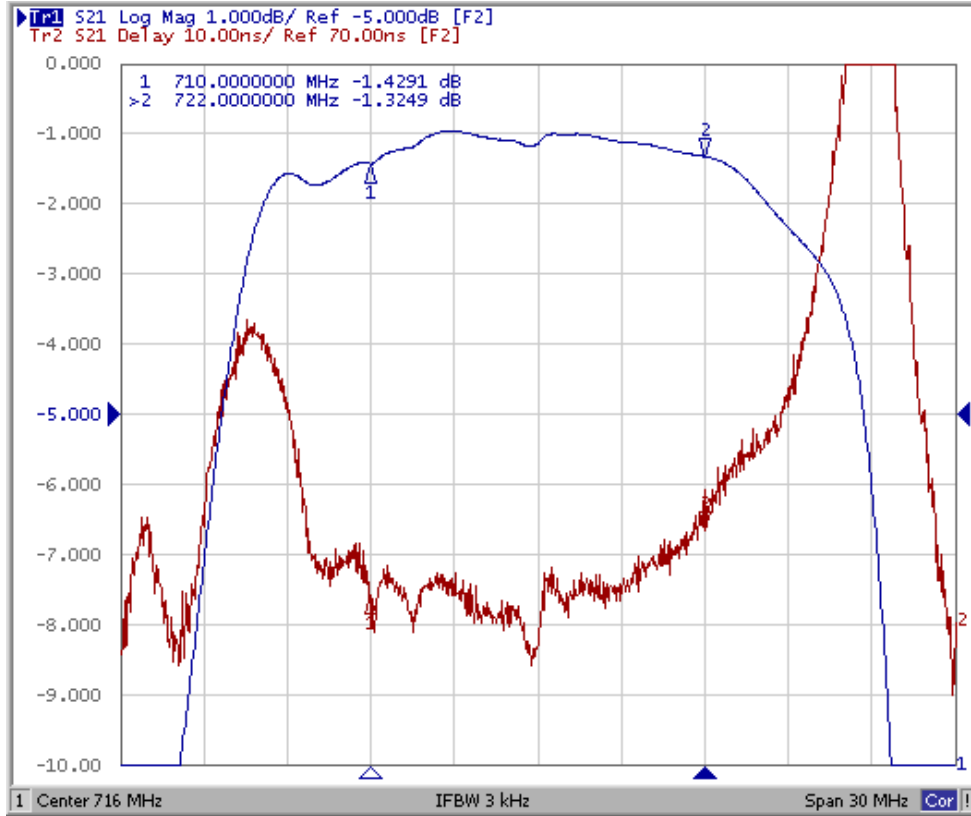
**E. PCB FOOTPRINT:**



**SAW Filter 716MHz**  
**Part No: MP02684**

**Model: TA0958A**  
**REV. NO.: 1**

**F. FREQUENCY CHARACTERISTICS:**



**SAW Filter 716MHz**

**Model: TA0958A**

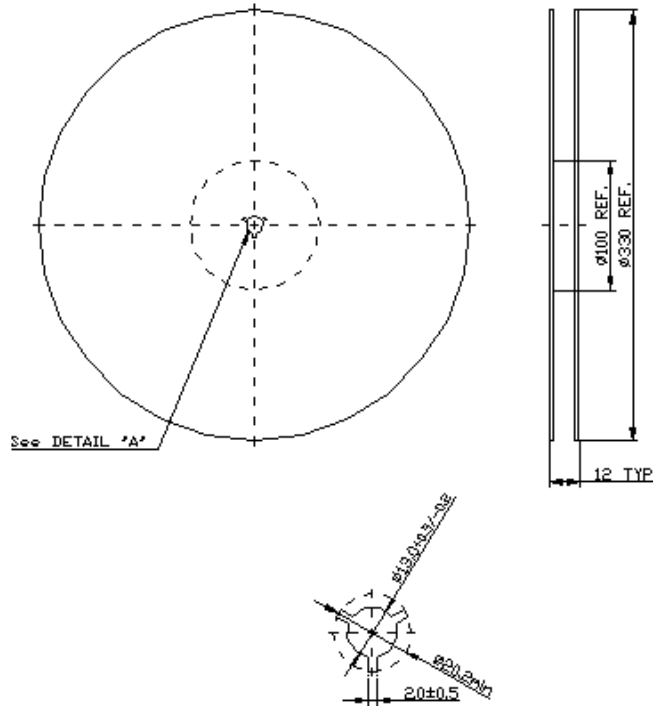
**Part No: MP02684**

**REV. NO.: 1**

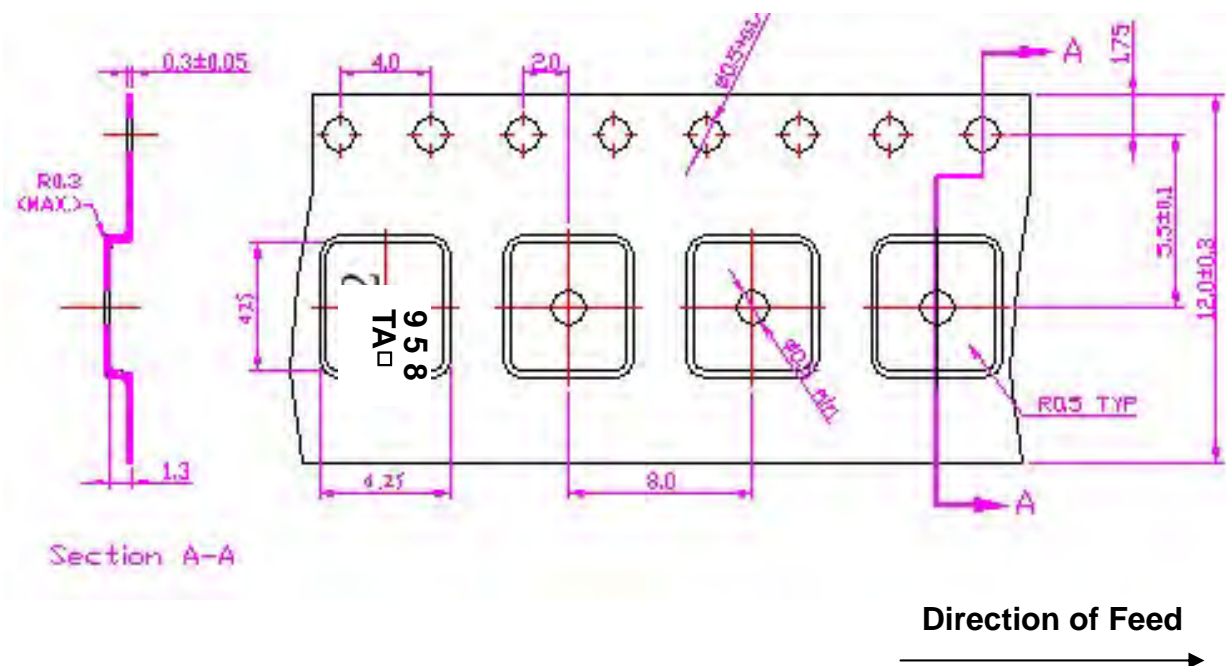
**G. PACKING:**

**1. REEL DIMENSION**

(Reel Count : 7"=1000 ; 13"=3000 )



**2.TAPE DIMENSION**



**SAW Filter 716MHz**

**Model: TA0958A**

**Part No: MP02684**

**REV. NO.: 1**

**H. RECOMMENDED REFLOW PROFILE :**

