

SAW Resonator 915.0MHz
Part No: MP02715

Model: TC0278A
Rev No: 1

A. FEATURES:

One-Port Resonator

B. MAXIMUM RATING:

1. Input Power Level: 0dBm
2. DC voltage: 3V
3. Operating Temperature: -40°C to +85°C
4. Storage Temperature: -40°C to +85°C

C. ELECTRICAL CHARACTERISTICS:

Reference Temperature $T_A = 25^\circ\text{C}$

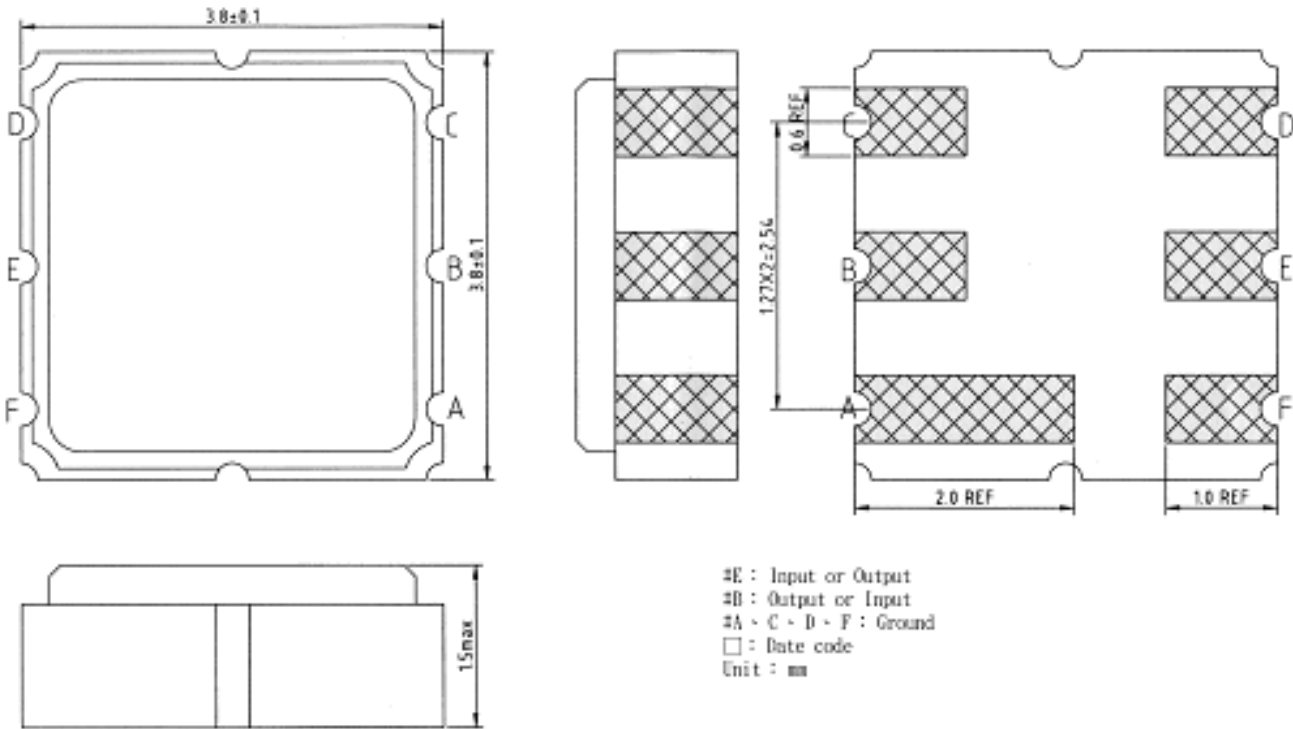
Characteristic	Units	Min.	Typ.	Max.
Center frequency f_c	MHz	914.9	915	915.1
Insertion Loss IL	dB	-	1.1	2.0
Unload quality factor QU		5000	6200	-
Ageing of f_c	ppm/yr	-	-	± 10
Motional capacitance C1	fF	-	1.39	-
Motional inductance L1	μH	-	21.8	-
Motional resistance R1	Ohm	-	20.3	-
Parallel capacitance C_0	pF	-	2.6	-
Frequency Temperature coefficient (TCf)	ppm/c*2	-	0.032	-
Turnover T_0	deg.C	10	25	40
Package size	SMD 3.8 X 3.8 X 1.4mm			

Temperature dependence of f_c : $f_c(T_A) = f_c(T_0) (1 + TC_f(T_A - T_0)^2)$

SAW Resonator 915.0MHz
Part No: MP02715

Model: TC0278A
Rev No: 1

D. OUTLINE DRAWING:

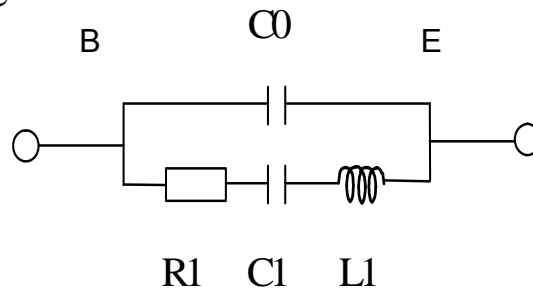


E. EQUIVARENT CIRCUIT:

One-Port Resonator:

Source Impedance

50Ω



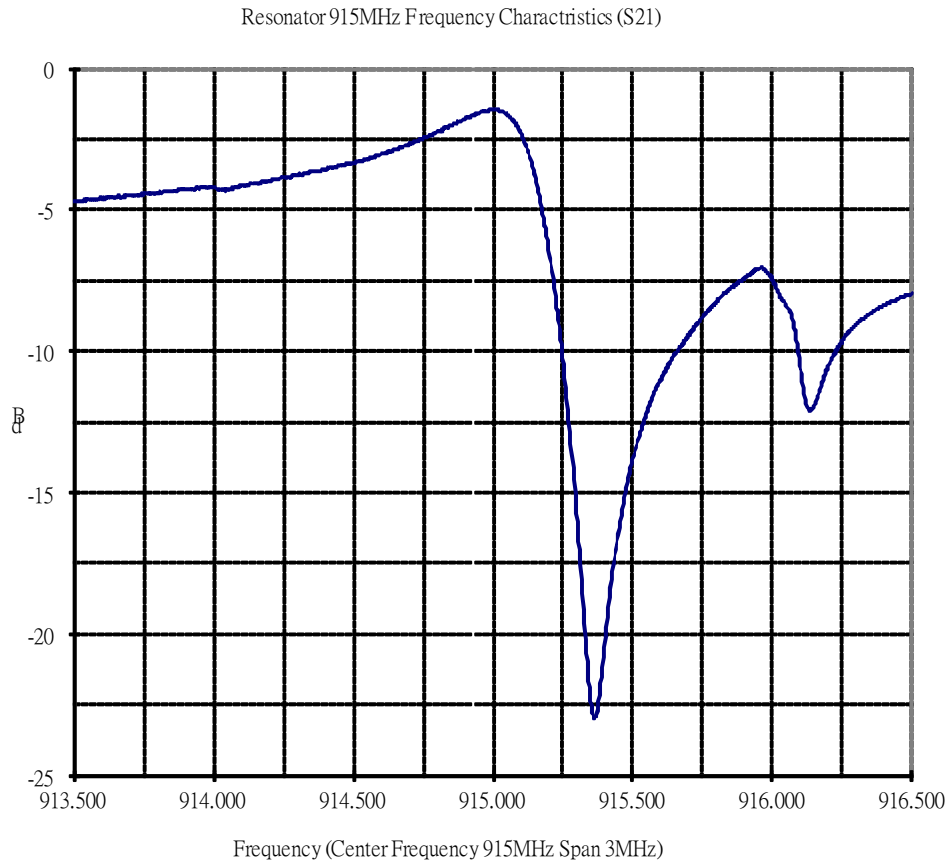
Load Impedance

50Ω

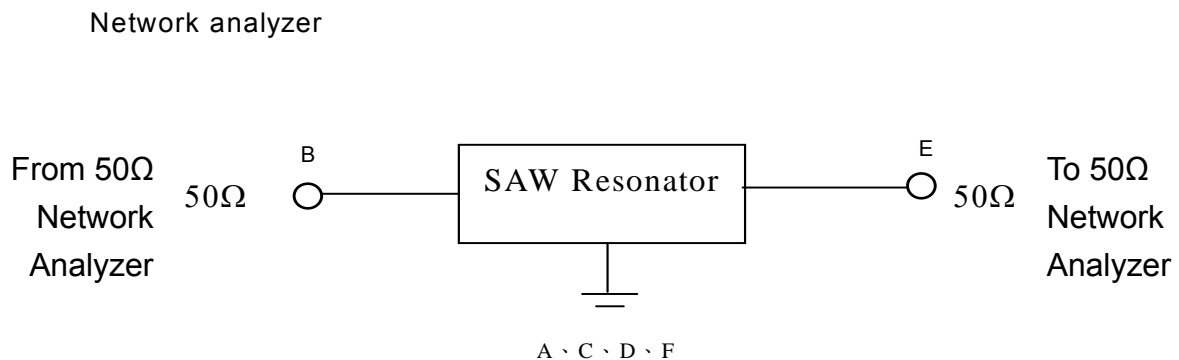
SAW Resonator 915.0MHz
Part No: MP02715

Model: TC0278A
Rev No: 1

F. FREQUENCY CHARACTERISTICS:



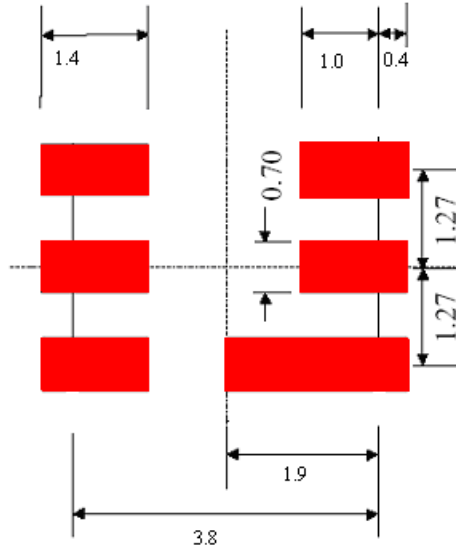
G. TEST CIRCUIT:



SAW Resonator 915.0MHz
Part No: MP02715

Model: TC0278A
Rev No: 1

H. PCB FOOTPRINT:

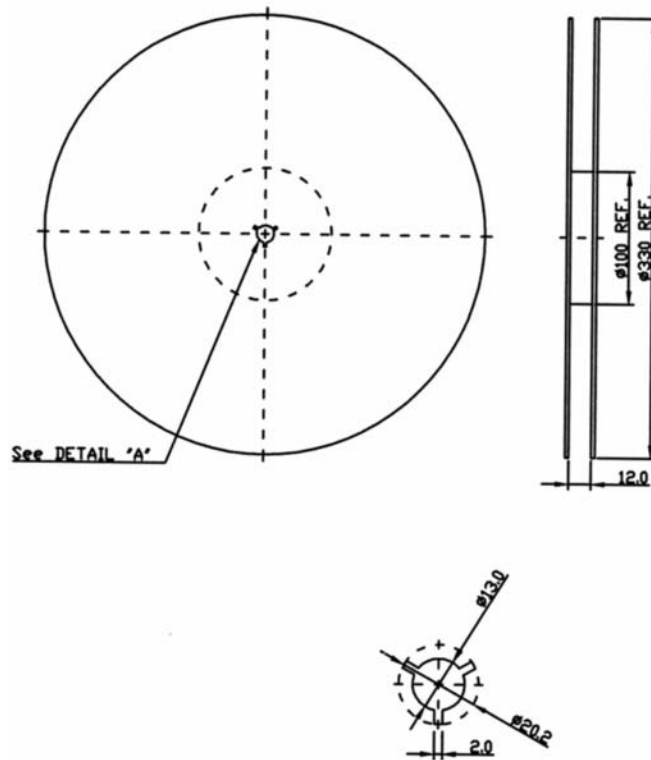


SAW Resonator 915.0MHz
Part No: MP02715

Model: TC0278A
Rev No: 1

I. PACKING:

1. Reel Dimension



2. Tape Dimension

