

SAW Filter 1232.0MHz

Model: TA0925A

Part No: MP02757

Rev No: 2

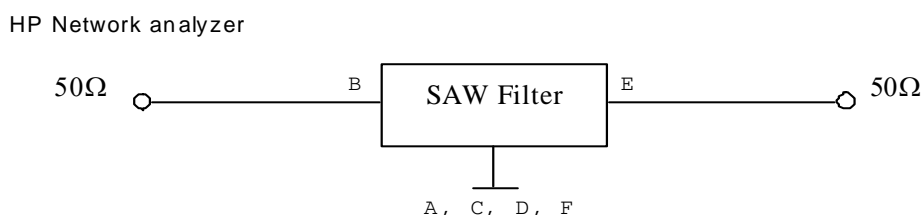
A. MAXIMUM RATING:

1. Input Power Level: 10dBm
2. DC Voltage: 3V
3. Operating Temperature: -50°C to +70°C
4. Storage Temperature: -50°C to +95°C

B. ELECTRICAL CHARACTERISTICS:

| Item | Unit | Min. | Typ. | Max. | Note |
|--|------|------|------|------|------|
| Center Frequency Fc | MHz | - | 1232 | - | - |
| Min. Insertion loss IL | dB | - | 2.1 | 5 | - |
| Bandwidth @ -3dB | MHz | 6 | 23.5 | - | - |
| Amplitude Ripple (1229 ~ 1235MHz) | dB | - | 0.3 | 3 | - |
| VSWR (1229 ~ 1235MHz) | | - | 1.7 | 2.3 | - |
| Attenuation (Reference level from 0dB) | | | | | |
| 800 ~ 1150MHz | dB | 40 | 58 | - | - |
| 1150 ~ 1180MHz | dB | 20 | 51 | - | - |
| 1265 ~ 2000MHz | dB | 35 | 50 | - | - |

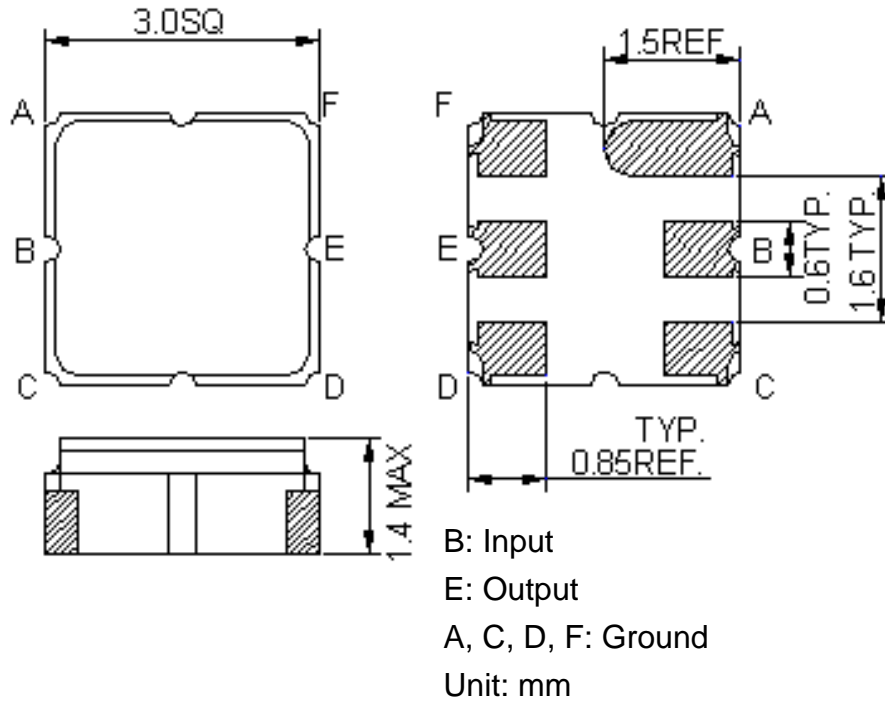
C. MEASUREMENT CIRCUIT:



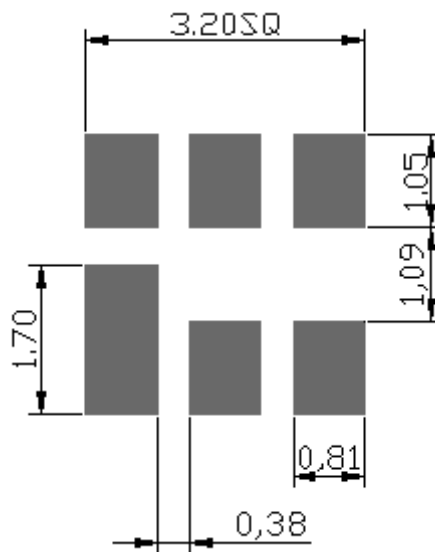
SAW Filter 1232.0MHz
Part No: MP02757

Model: TA0925A
Rev No: 2

D. OUTLINE DRAWING:



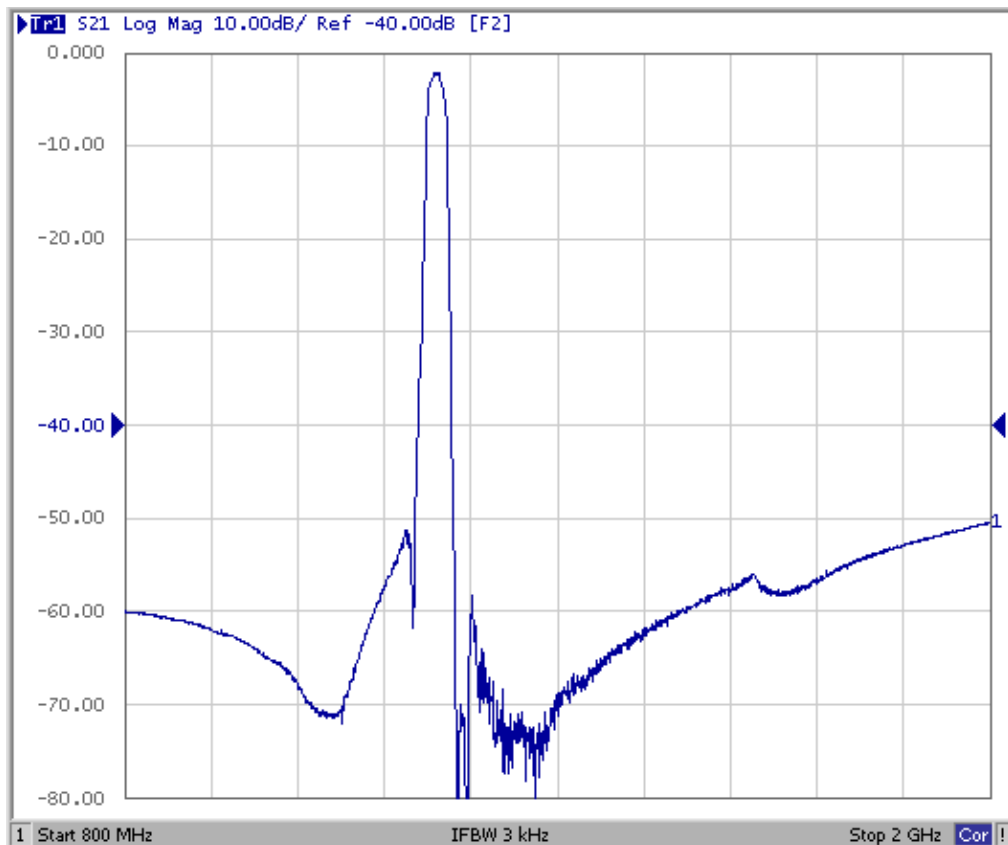
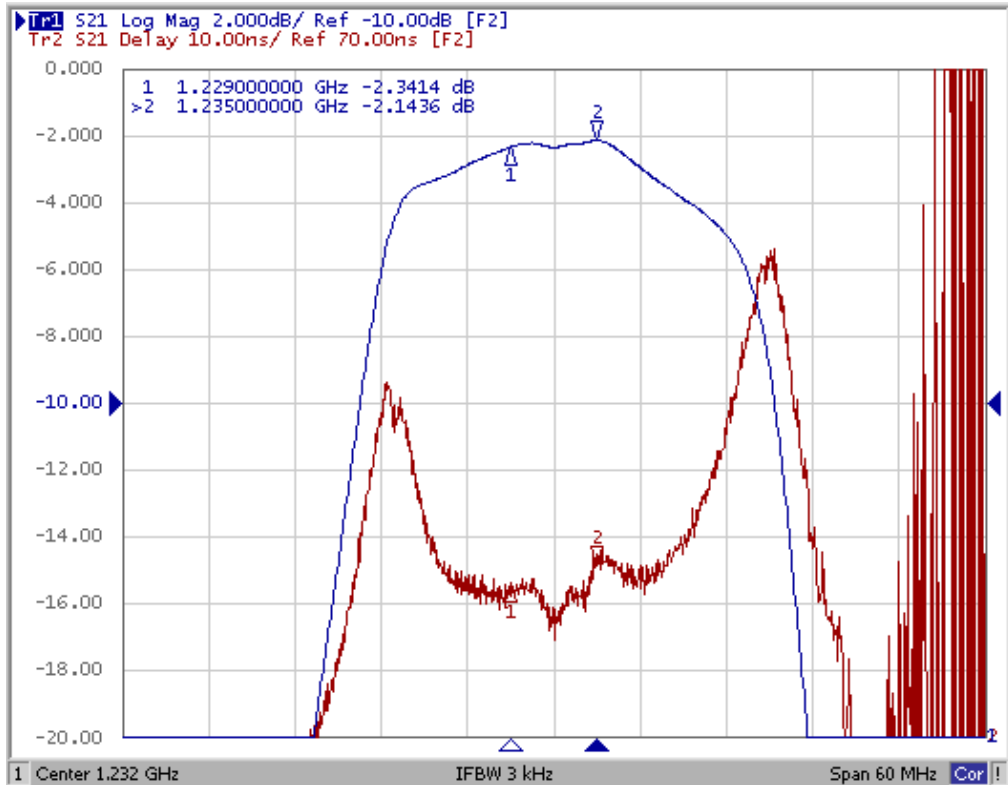
E. PCB FOOTPRINT:



SAW Filter 1232.0MHz
Part No: MP02757

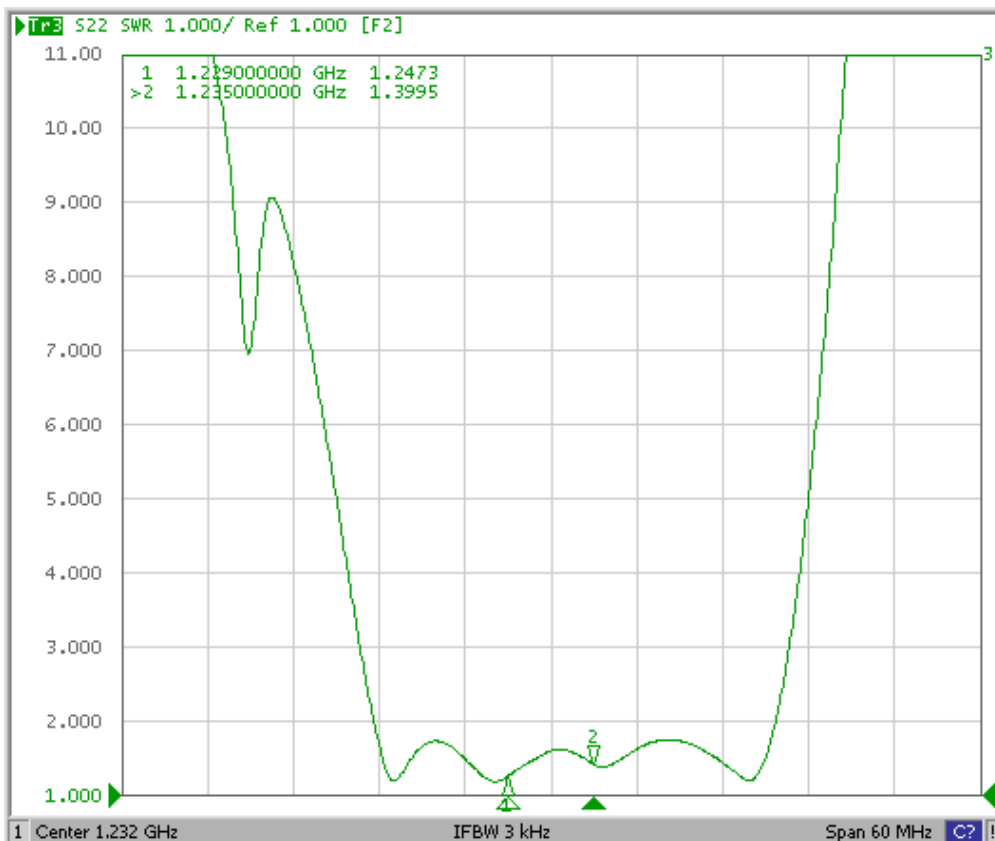
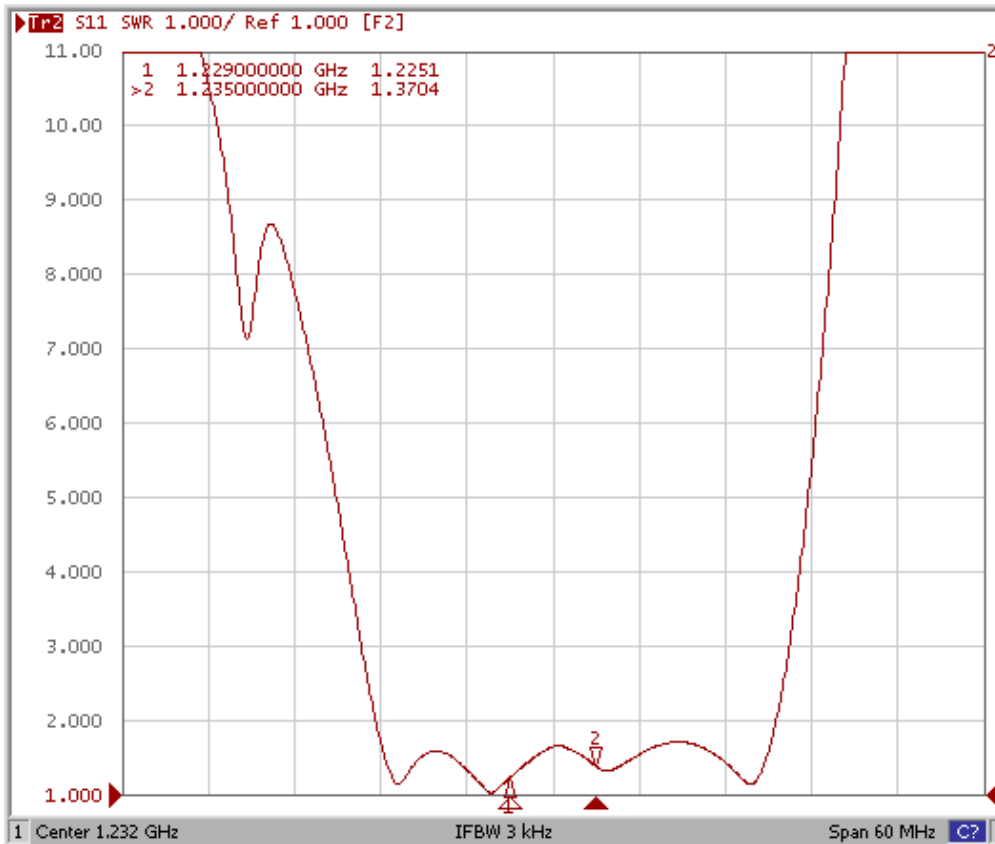
Model: TA0925A
Rev No: 2

F. FREQUENCY CHARACTERISTICS:



SAW Filter 1232.0MHz
Part No: MP02757

Model: TA0925A
Rev No: 2



SAW Filter 1232.0MHz

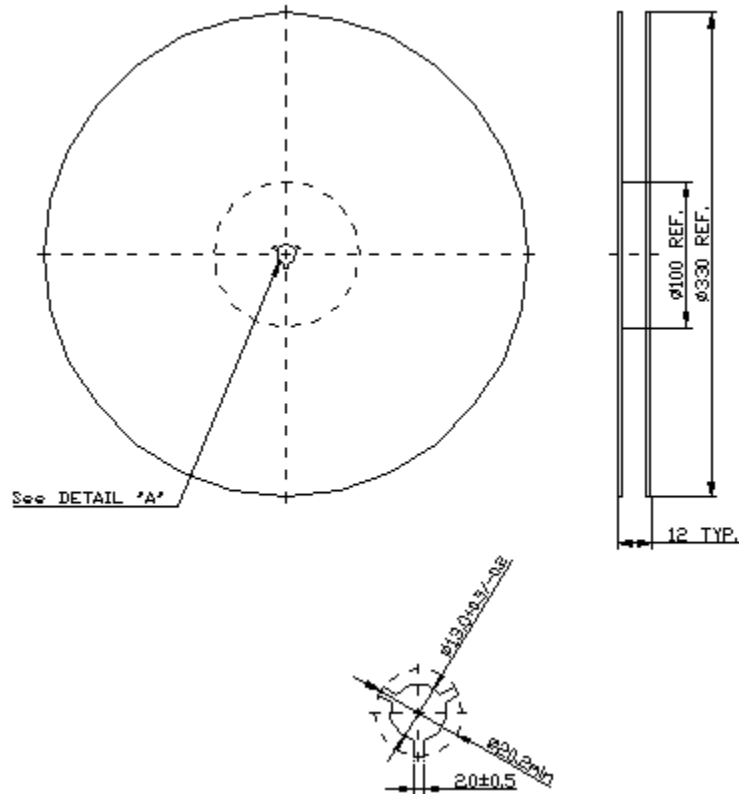
Model: TA0925A

Part No: MP02757

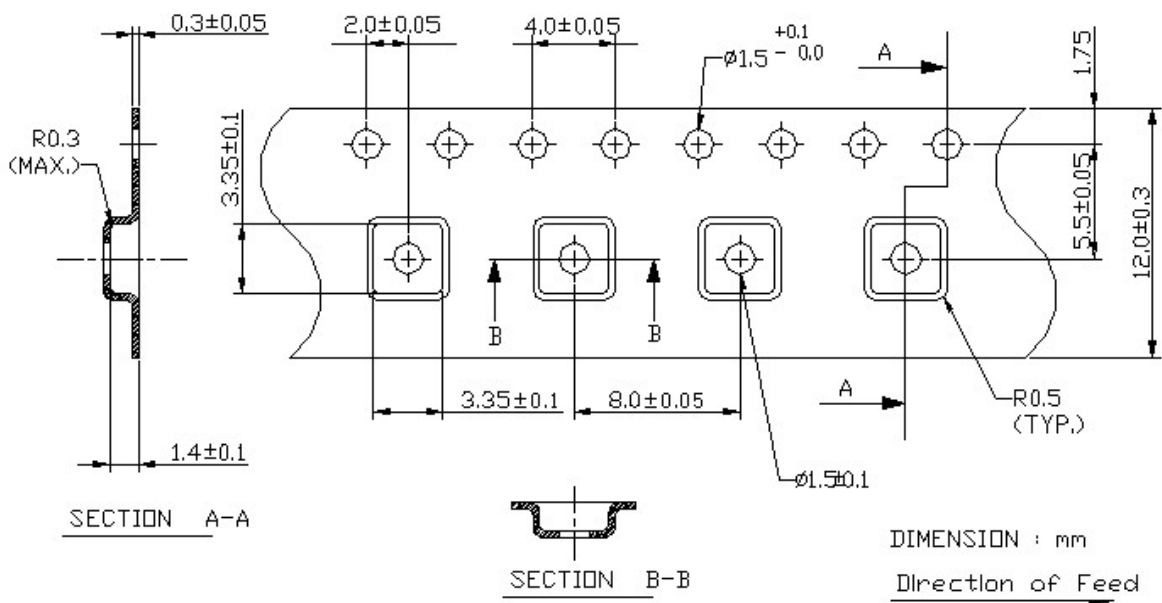
Rev No: 2

G. PACKING:

1. Reel Dimension (Reel Count: 7" = 1000; 13" = 3000)



2. Tape Dimension



SAW Filter 1232.0MHz
Part No: MP02757

Model: TA0925A
Rev No: 2

H. RECOMMENDED REFLOW PROFILE:

