

**SAW Filter 1300.0MHz**  
**Part No: MP02776**

**Model: TA0840A**  
**Rev. No: 1**

**A. MAXIMUM RATING:**

1. Input Power Level: 10dBm
2. DC Voltage: 3V
3. Operating Temperature: -25°C to +85°C
4. Storage Temperature: -40°C to +85°C

**B. ELECTRICAL CHARACTERISTICS:**

Item	Unit	Min.	Typ.	Max.
Center frequency Fc	MHz	-	1300	
Insertion loss (1296 ~ 1304MHz) IL	dB	-	2.9	4.5
Absolute Group delay at 1300MHz	ns	-	33	60
Group delay variation (1296 ~ 1304MHz)	ns	-	4	15
Phase variation (1296 ~ 1304MHz)	Deg	-	2.2	25
Amplitude ripple (1296 ~ 1304MHz)	dB	-	0.3	1.5
Attenuation (Referent to IL)				
Fc - 30MHz	dB	10	31	-
Fc + 30MHz	dB	10	26	-
Fc - 60MHz	dB	30	57	-
Fc + 60MHz	dB	30	39	-
Fc - 140MHz	dB	35	47	-
Fc + 140MHz	dB	35	42	-
Fc - 250MHz	dB	35	44	-
Fc + 250MHz	dB	35	43	-
Source impedance Z <sub>s</sub>	Ω	100		
Load impedance Z <sub>L</sub>	Ω	100		

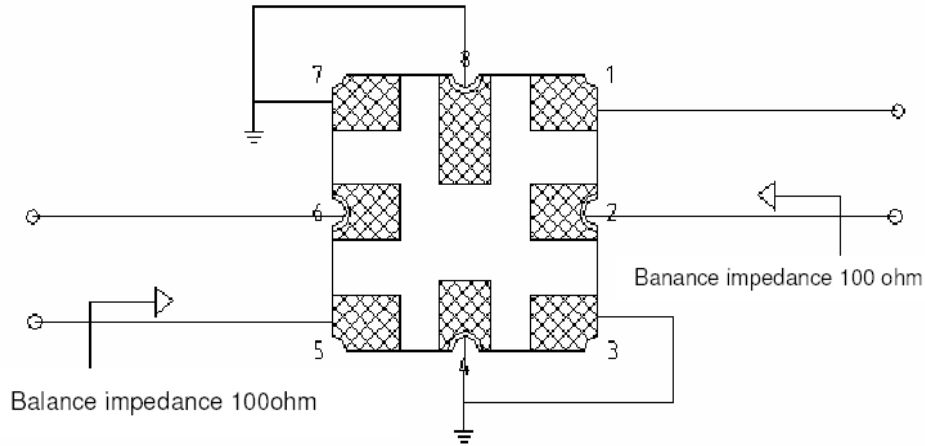
**SAW Filter 1300.0MHz**

**Model: TA0840A**

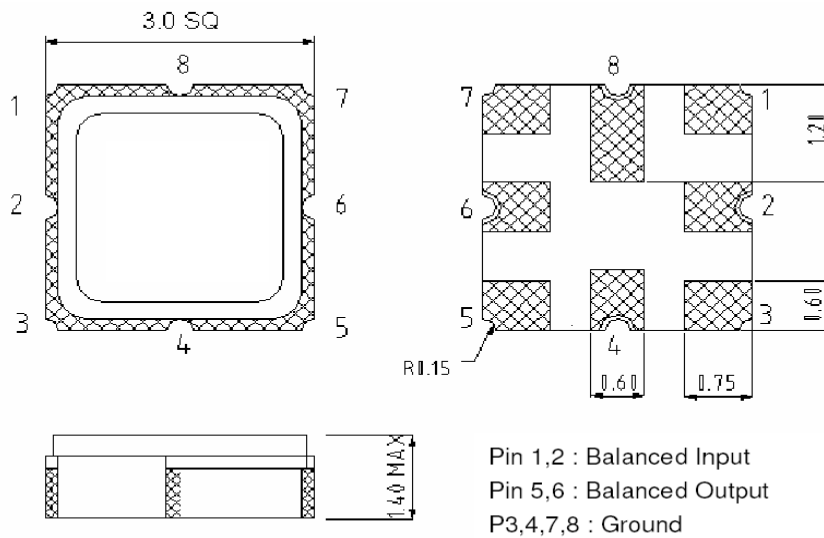
**Part No: MP02776**

**Rev. No: 1**

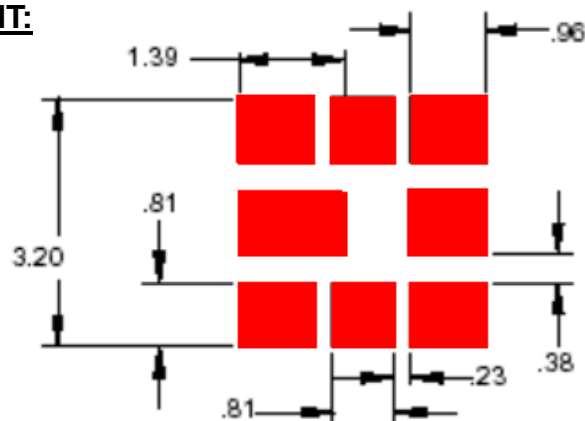
**C. MEASUREMENT CIRCUIT:**



**D. OUTLINE DRAWING:**



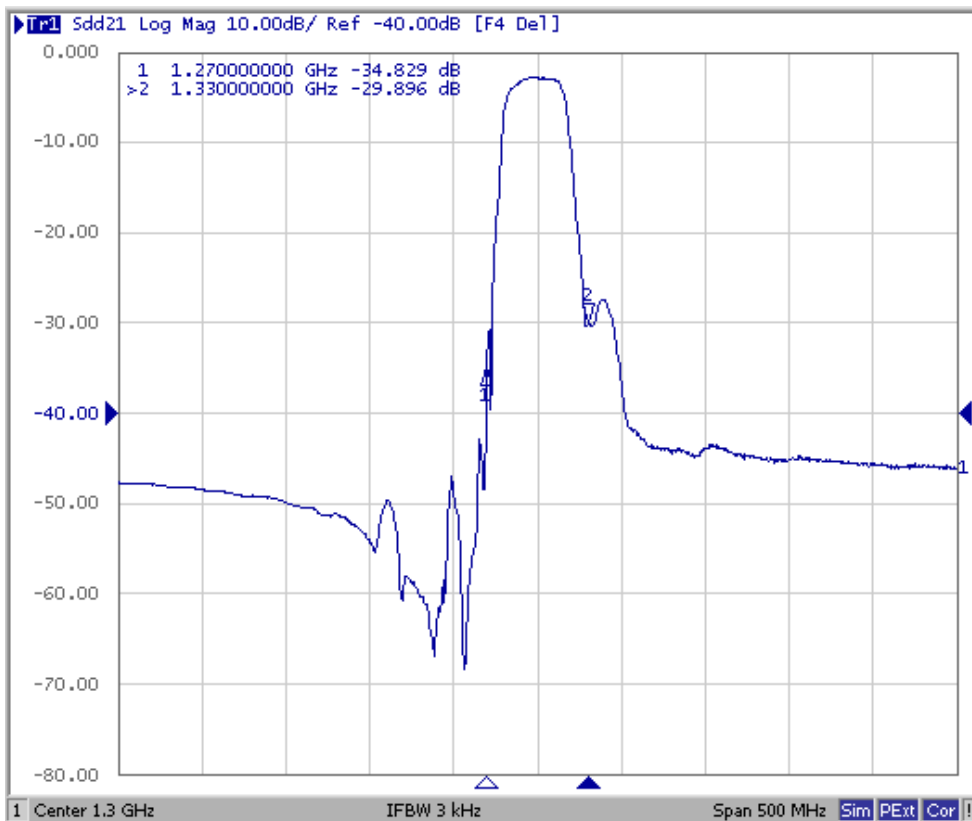
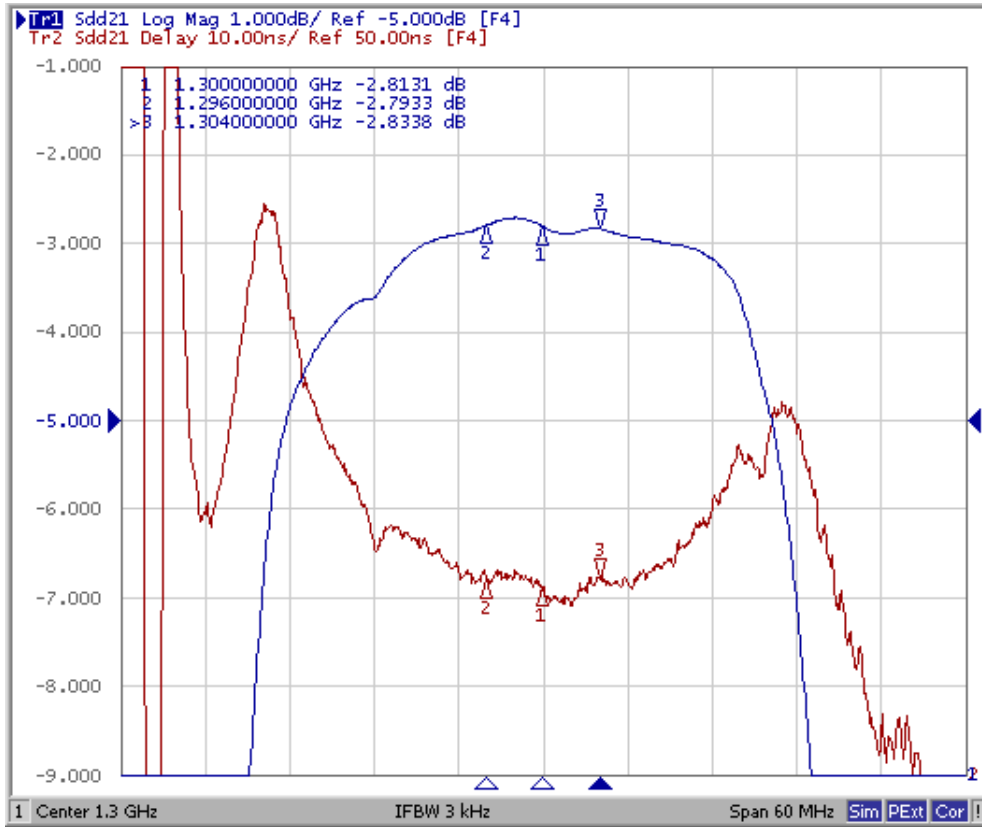
**E. PCB FOOTPRINT:**



**SAW Filter 1300.0MHz**  
**Part No: MP02776**

**Model: TA0840A**  
**Rev. No: 1**

**F. FREQUENCY CHARACTERISTICS:**

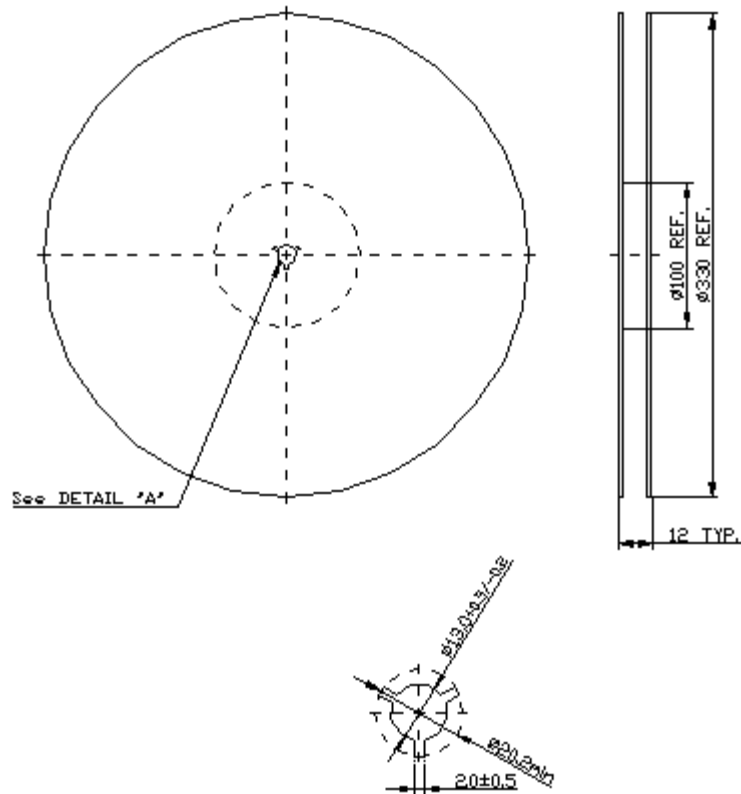


**SAW Filter 1300.0MHz**  
**Part No: MP02776**

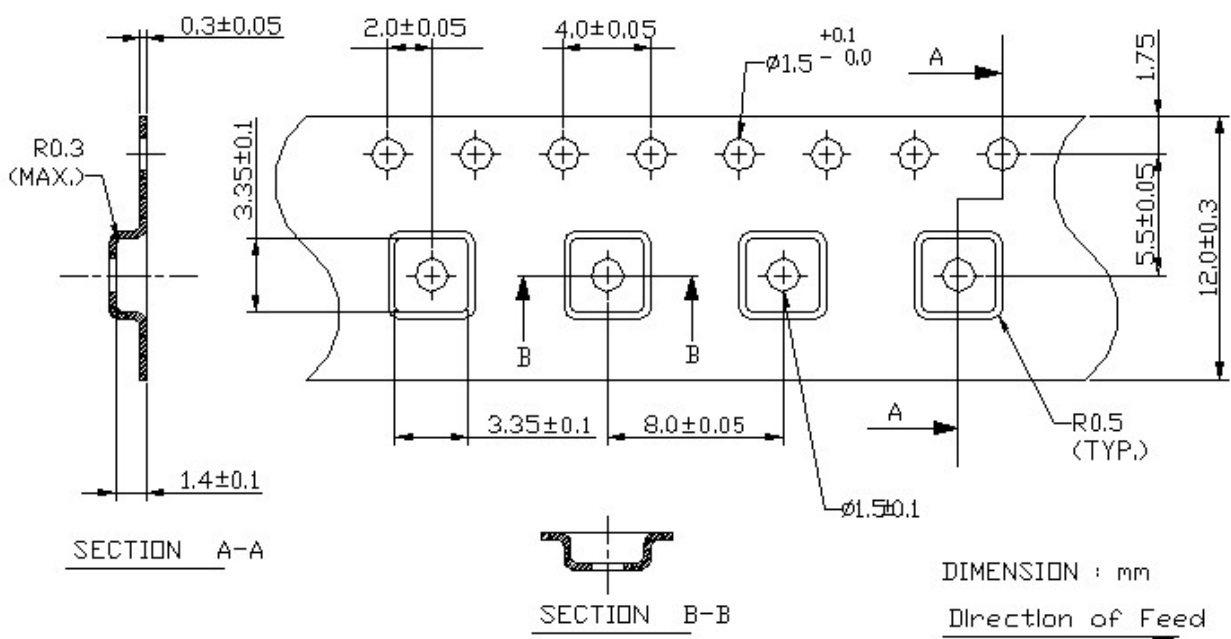
**Model: TA0840A**  
**Rev. No: 1**

**G. PACKING:**

1. Reel Dimension



2. Tape Dimension



**SAW Filter 1300.0MHz**  
**Part No: MP02776**

**Model: TA0840A**  
**Rev. No: 1**

**H. RECOMMENDED REFLOW PROFILE:**

