

SAW Filter 2580.0MHz
Part No: MP02824

Model: TA0759A
Rev. No: 1

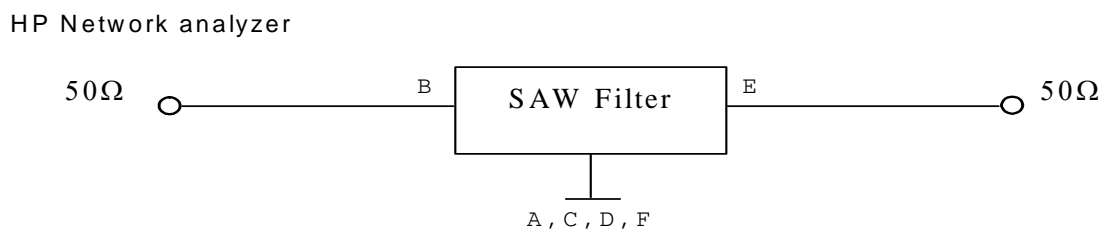
A. MAXIMUM RATING:

1. Input Power Level: 10dBm
2. DC Voltage: 3V
3. Operating Temperature: -30°C to +85°C
4. Storage Temperature: -40°C to +95°C

B. ELECTRICAL CHARACTERISTICS:

Item	Unit	Min.	Typ.	Max.	Note
Center Frequency Fc	MHz	-	2580	-	-
Insertion Loss (2565 ~ 2595 MHz) IL	dB	-	2.9	3.5	-
Amplitude Ripple (2565 ~ 2595 MHz)	dB	-	1	2.2	-
Return Loss (2565 ~ 2595 MHz)	dB	9	15	-	-
Attenuation (Reference level from 0dB)					
2100 ~ 2450MHz	dB	35	45	-	-
2680 ~ 2840MHz	dB	40	55	-	-
2840 ~ 3000MHz	dB	35	50	-	-

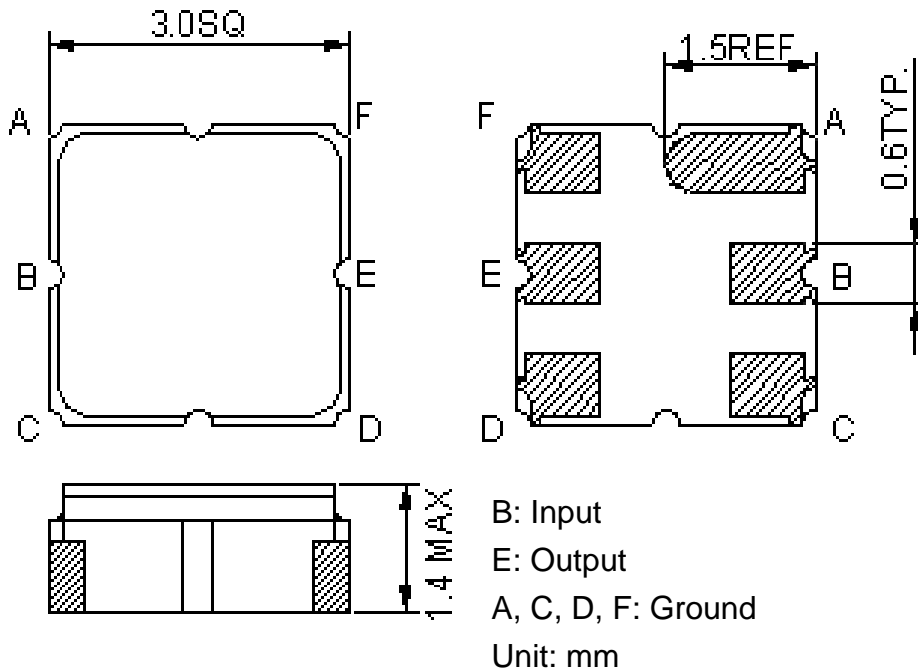
C. MEASUREMENT CIRCUIT:



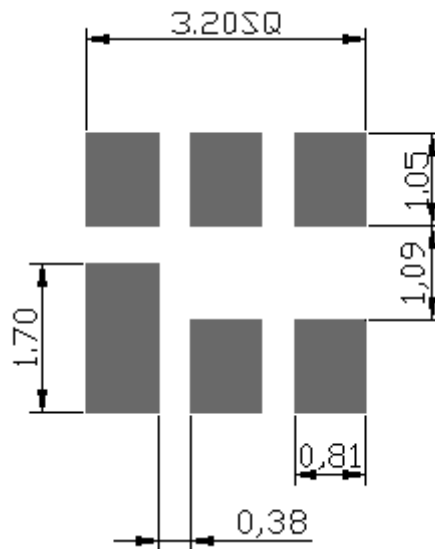
SAW Filter 2580.0MHz
Part No: MP02824

Model: TA0759A
Rev. No: 1

D. OUTLINE DRAWING:



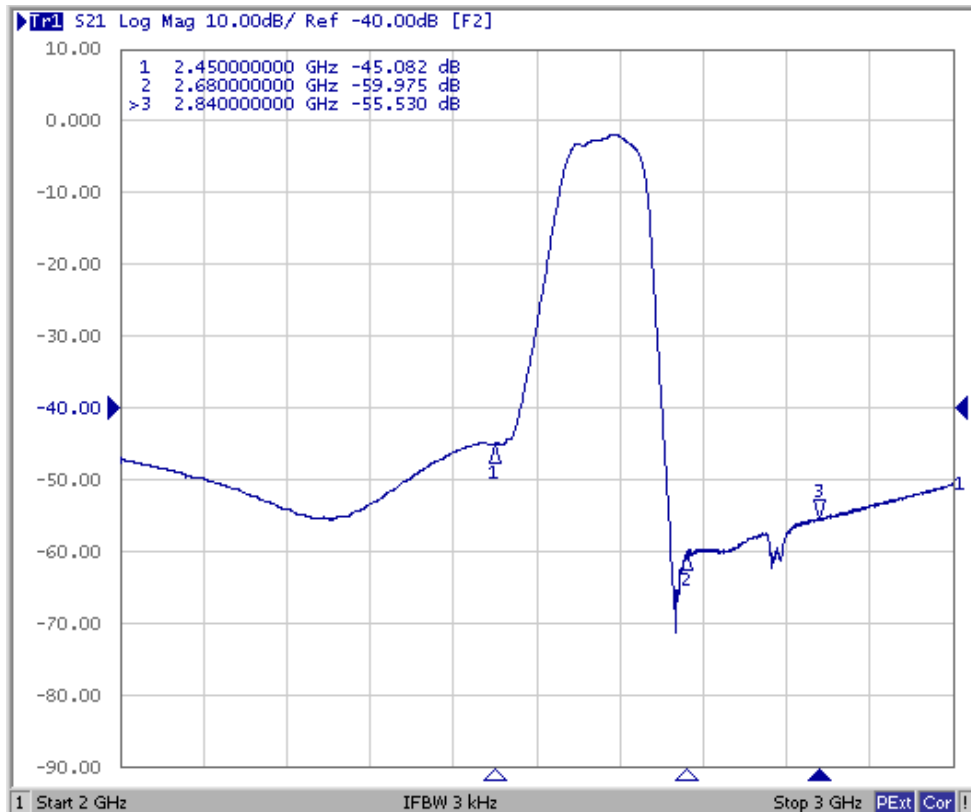
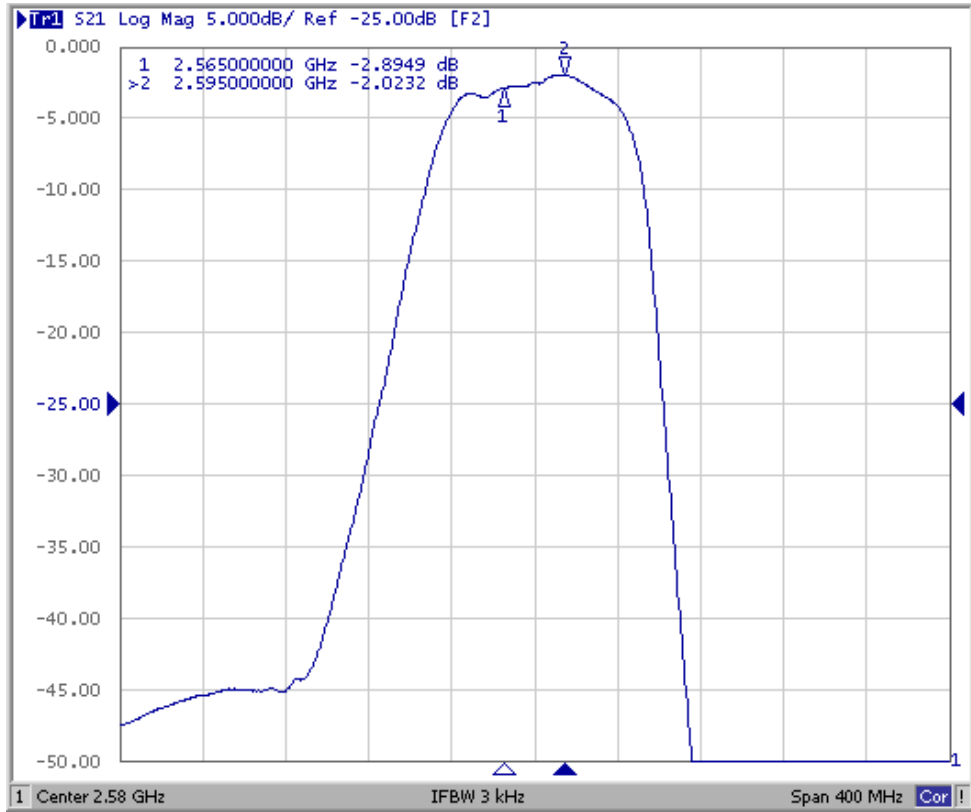
E. PCB FOOTPRINT:



SAW Filter 2580.0MHz
Part No: MP02824

Model: TA0759A
Rev. No: 1

F. FREQUENCY CHARACTERISTICS:

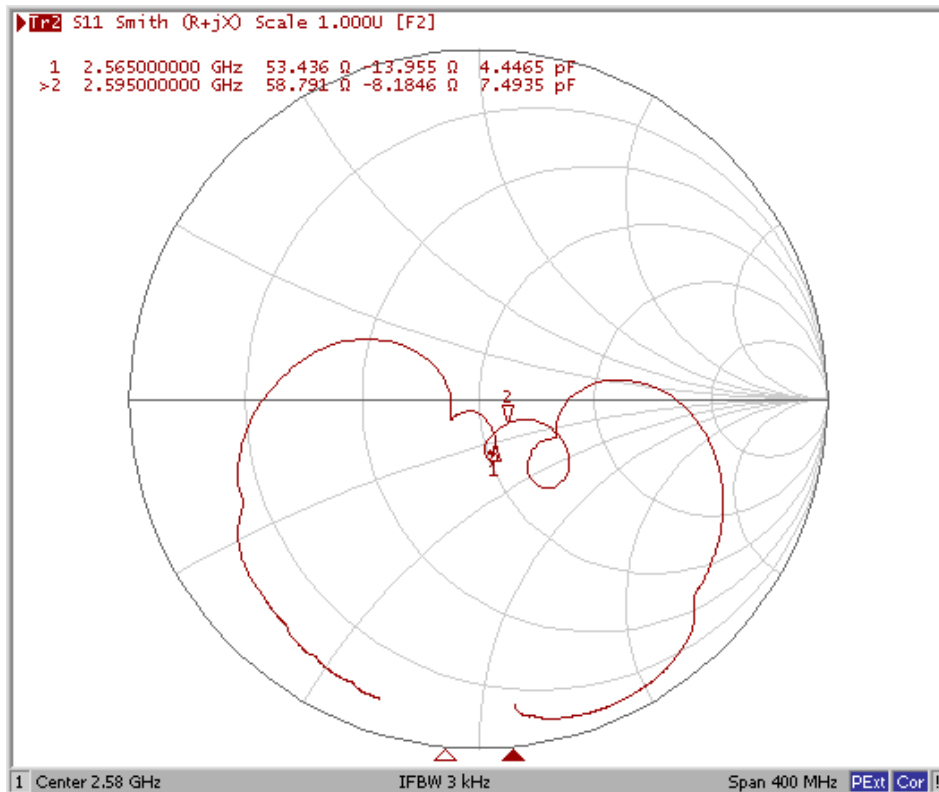
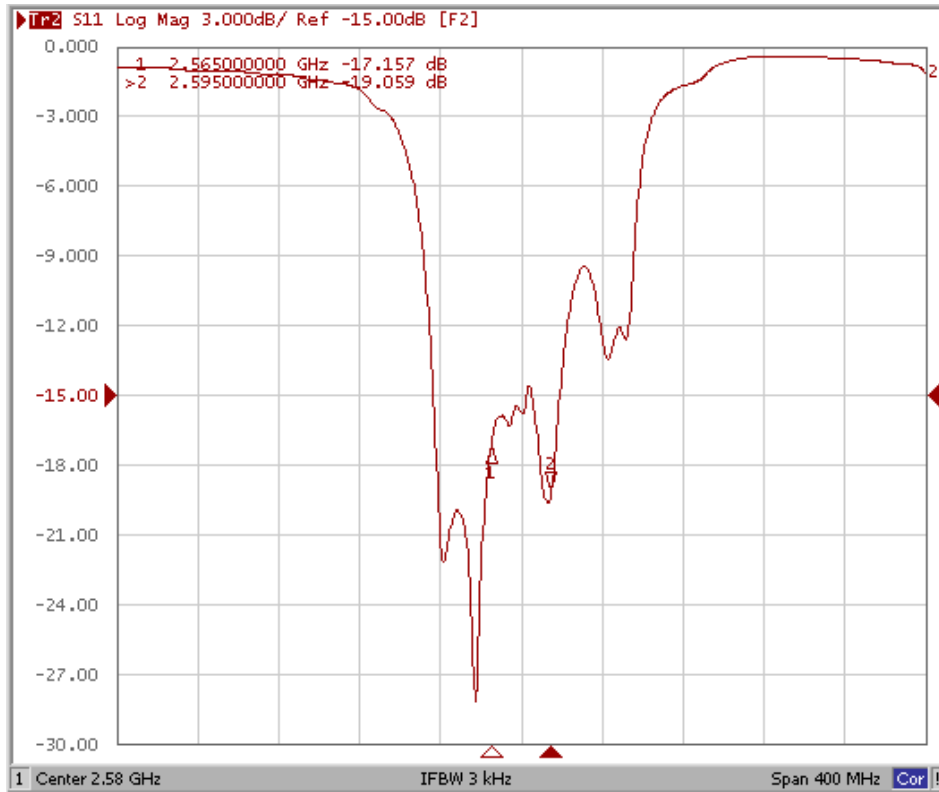


SAW Filter 2580.0MHz
Part No: MP02824

Model: TA0759A
Rev. No: 1

Reflection Functions

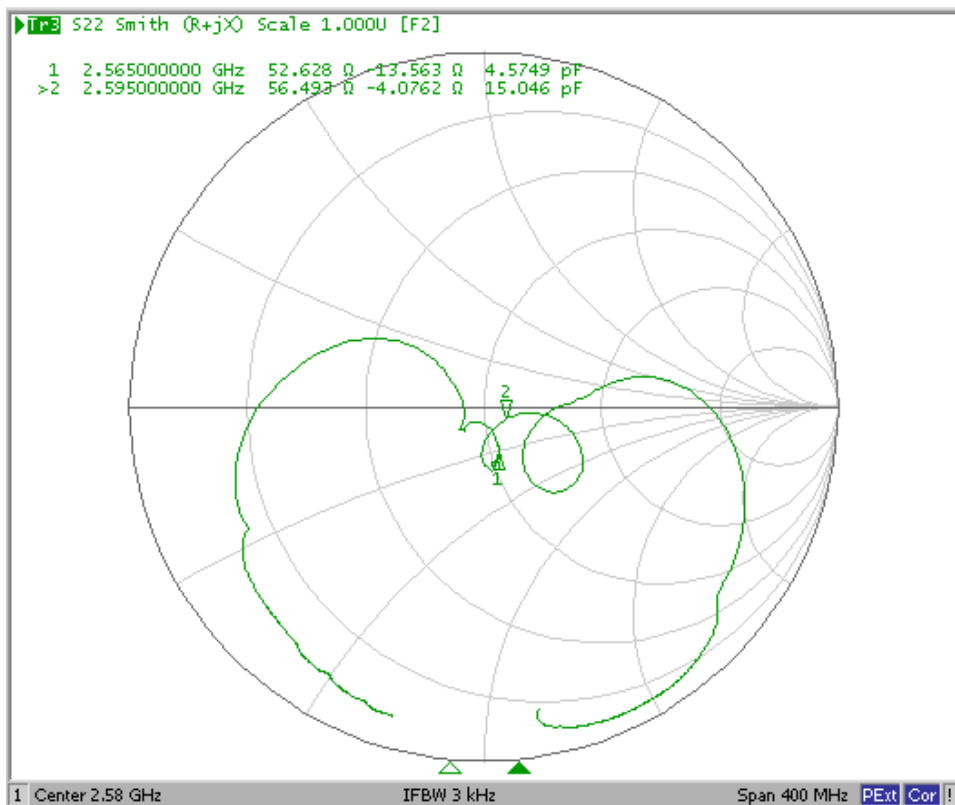
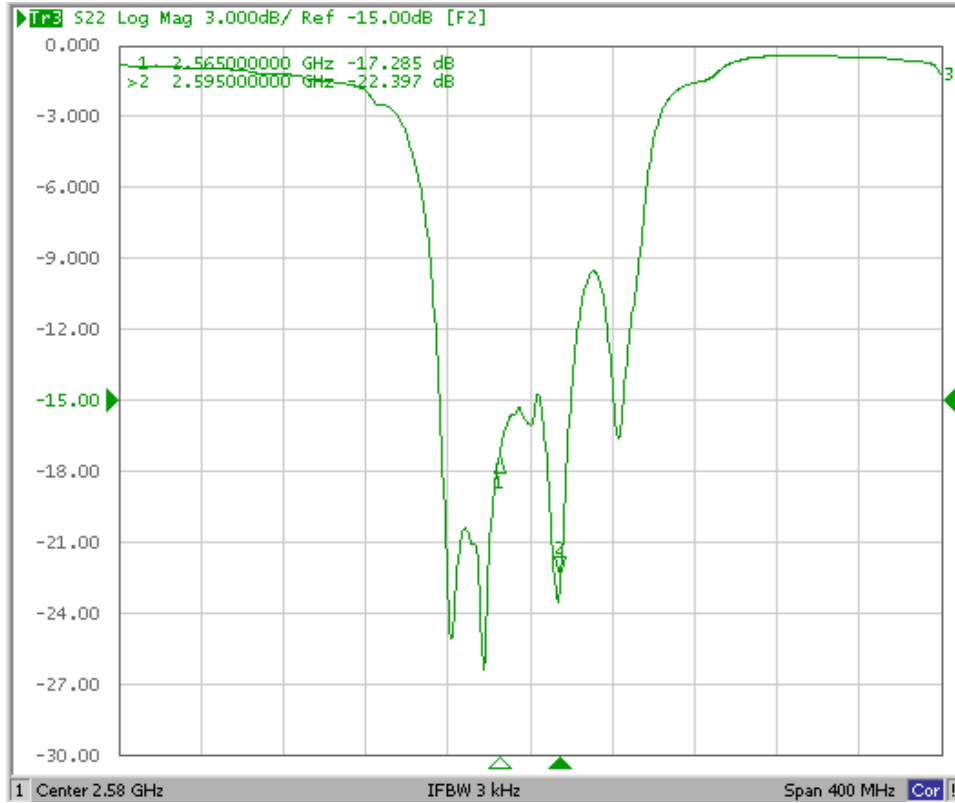
S11



SAW Filter 2580.0MHz
Part No: MP02824

Model: TA0759A
Rev. No: 1

S22

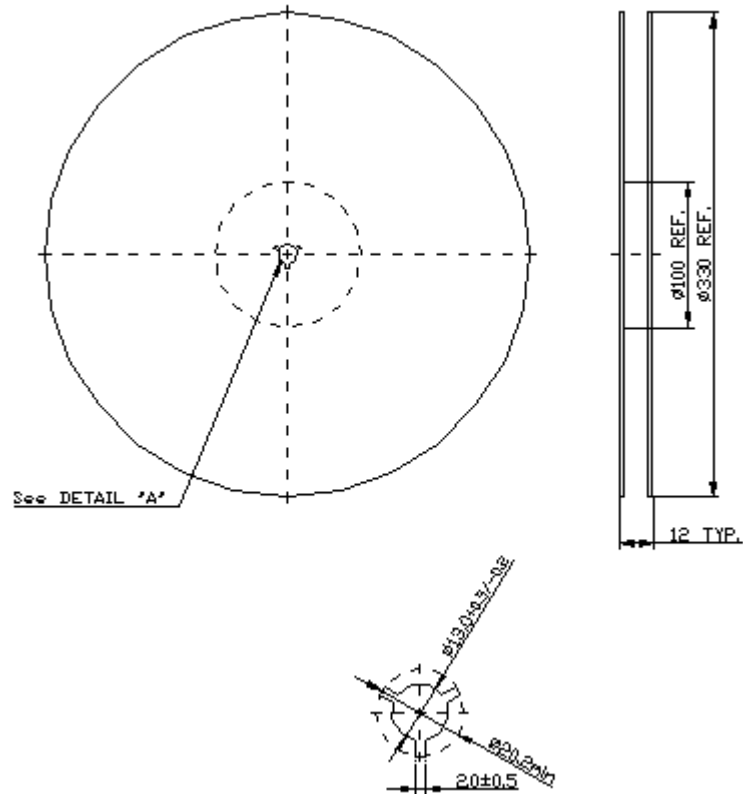


SAW Filter 2580.0MHz
Part No: MP02824

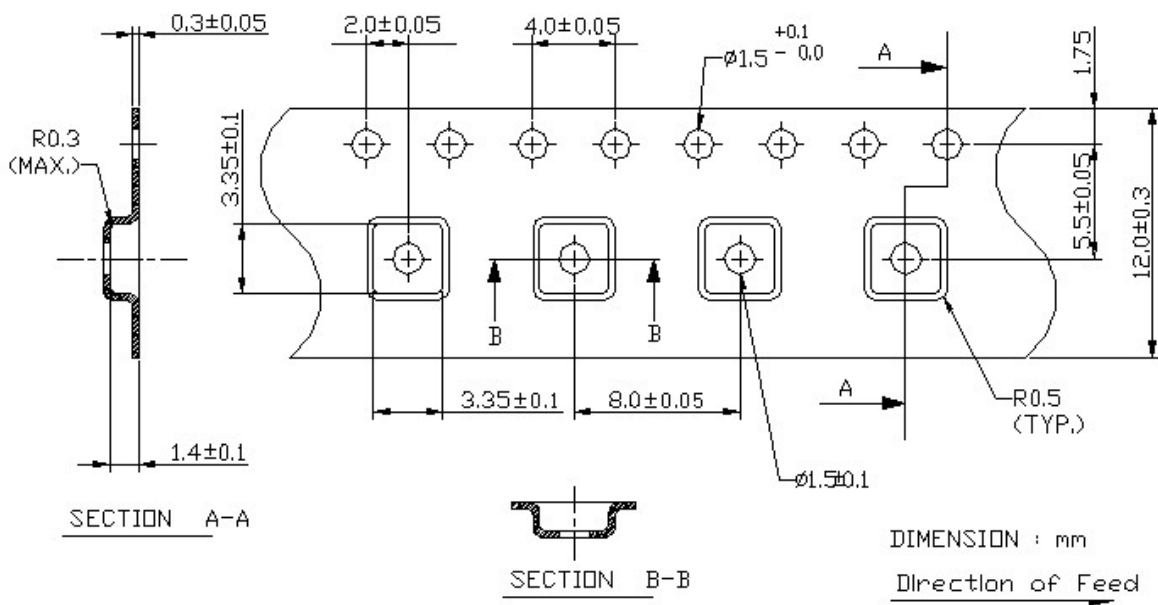
Model: TA0759A
Rev. No: 1

G. PACKING:

1. Reel Dimension (Reel Count: 7" = 1000: 13" = 3000)



2. Tape Dimension



SAW Filter 2580.0MHz
Part No: MP02824

Model: TA0759A
Rev. No: 1

H. RECOMMENDED REFLOW PROFILE:

