

**SAW Filter 416MHz**

**Model: TA1119A**

**Part No: MP02837**

**REV. NO: 1**

**A. MAXIMUM RATING:**

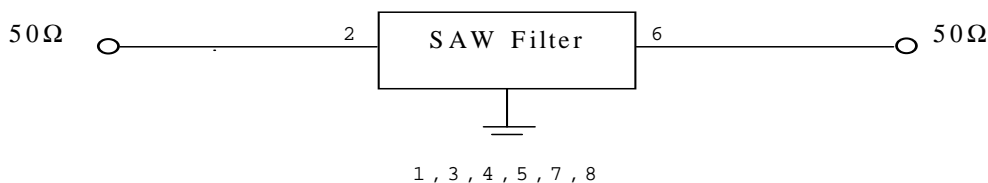
1. Input Power Level: 10dBm
2. DC Voltage: 5V
3. Operating Temperature: -30°C to +60°C
4. Storage Temperature: -40°C to +85°C

**B. ELECTRICAL CHARACTERISTICS:**

Item	Unit	Min.	Typ.	Max.
Center frequency Fc	MHz	-	416	-
Insertion loss (406 ~ 426MHz) IL	dB	-	3.4	4.2
Amplitude Ripple (406 ~ 426MHz)	dB	-	1.3	2.4
Return loss (406 ~ 426MHz)	dB	7	9	-
Attenuation (Reference level from 0dB)				
0.3 ~ 300MHz	dB	30	56	-
300 ~ 380MHz	dB	24	45	-
380 ~ 386MHz	dB	15	42	-
460.825 ~ 524.825MHz	dB	12	31	-
559.65 ~ 579.65MHz	dB	28	50	-
669.3 ~ 689.3MHz	dB	24	50	-
689.3 ~ 1000MHz	dB	26	45	-
Temperature Coefficient of Frequency	ppm/°C	-	-36	-

**C. MEASUREMENT CIRCUIT:**

HP Network analyzer



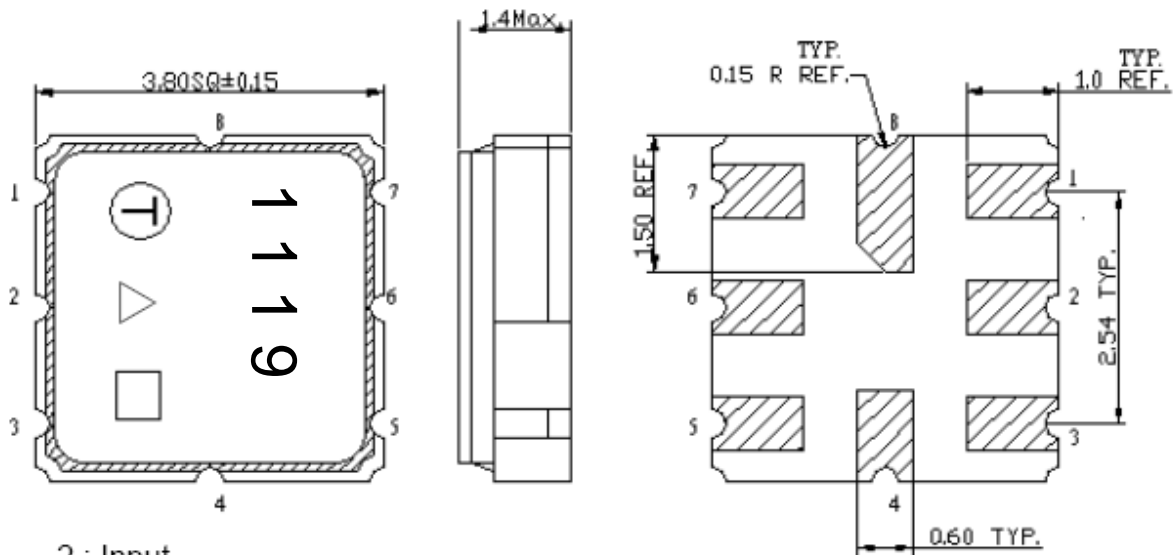
**SAW Filter 416MHz**

**Model: TA1119A**

Part No: **MP02837**

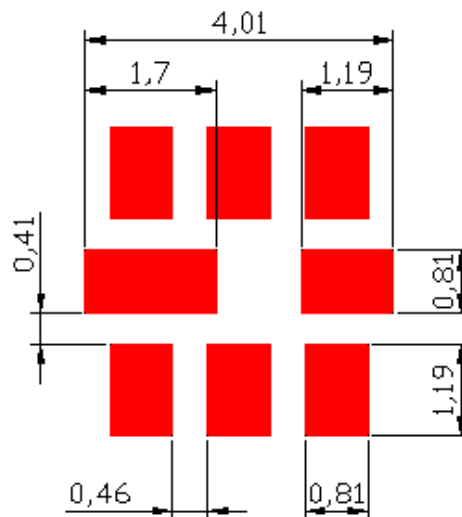
REV. NO: 1

**D. OUTLINE DRAWING:**



- 2 : Input
- 6: Output
- 1,3,4,5,7,8: Ground
- △ : Year Code
- : Date Code (W01->A, W02->B, ..., W52->z)

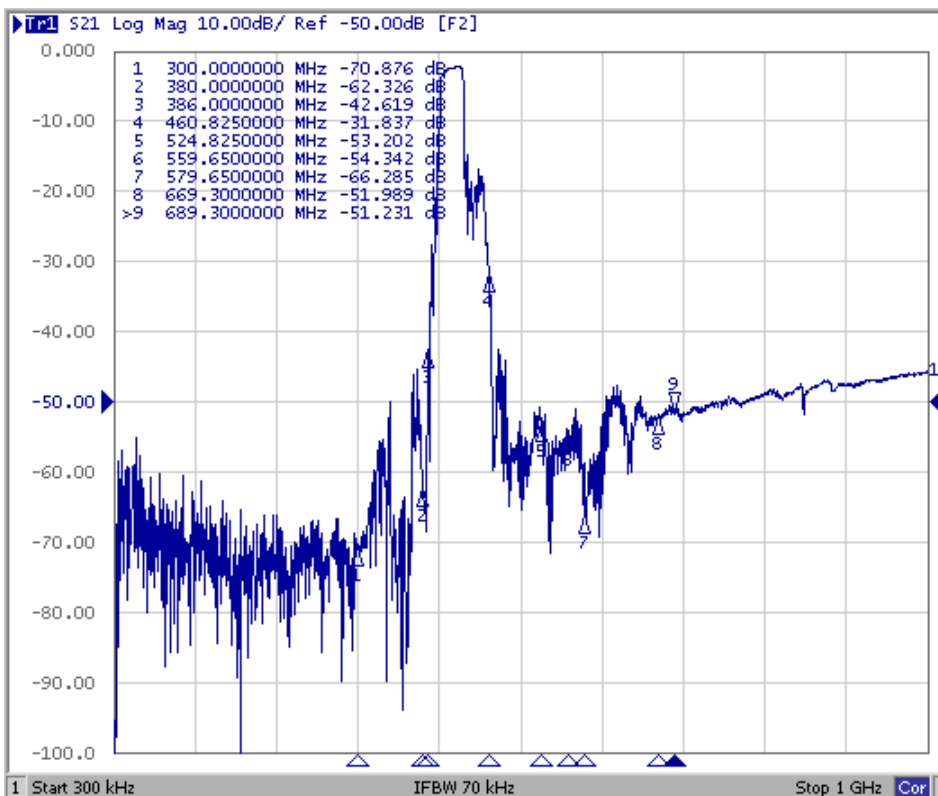
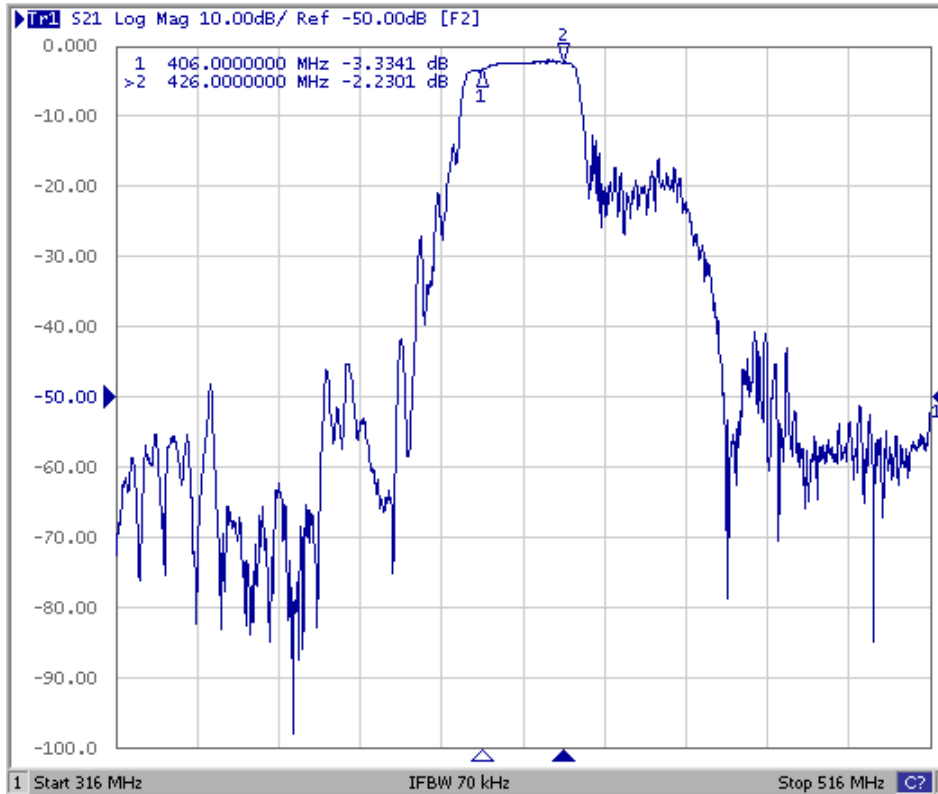
**E. PCB FOOTPRINT:**



**SAW Filter 416MHz**  
**Part No: MP02837**

**Model: TA1119A**  
**REV. NO: 1**

**F. FREQUENCY CHARACTERISTICS:**

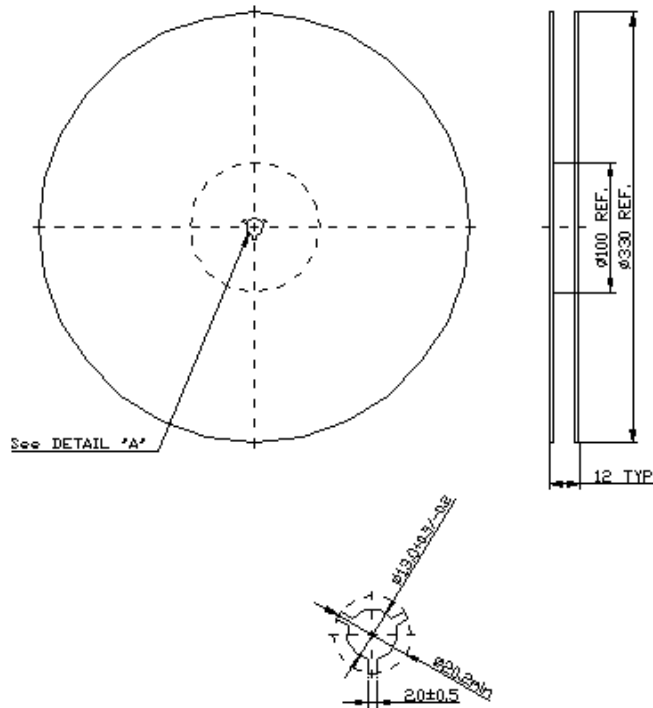


**SAW Filter 416MHz**  
 Part No: **MP02837**

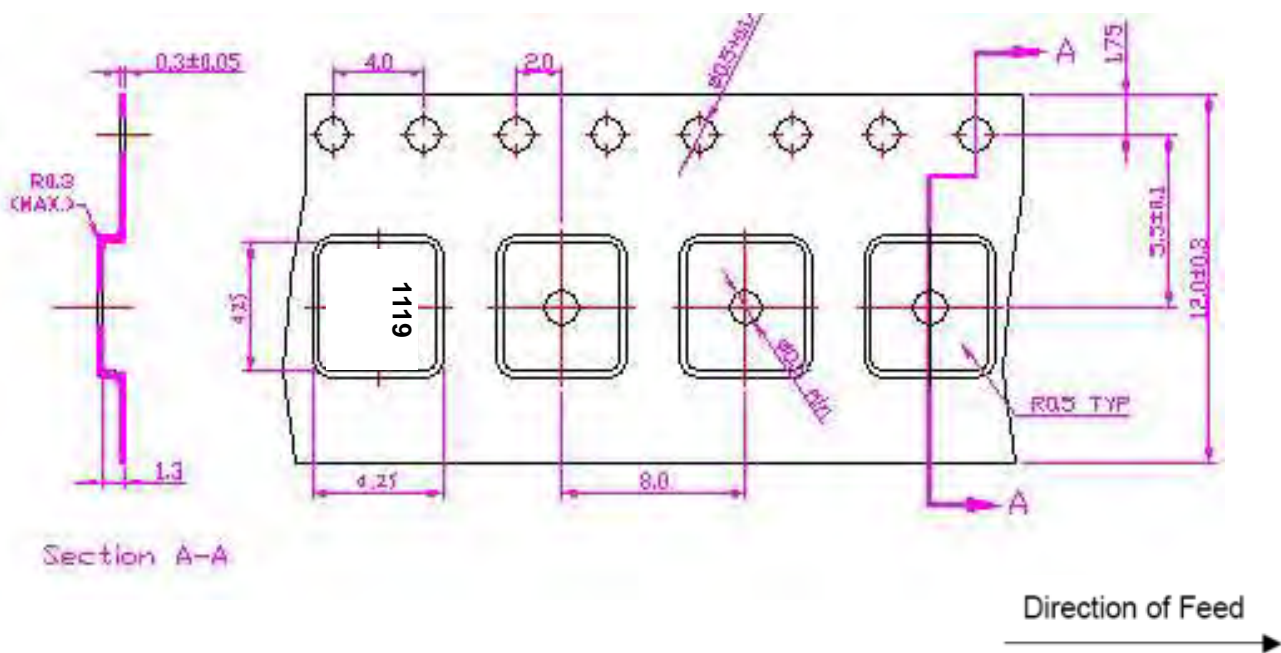
**Model: TA1119A**  
 REV. NO: 1

**G. PACKING:**

**1. REEL DIMENSION**



**2. TAPE DIMENSION**



**SAW Filter 416MHz**  
Part No: **MP02837**

**Model: TA1119A**  
REV. NO: 1

**H. RECOMMENDED REFLOW PROFILE:**

