

SAW Filter 1900.0MHz
Part No: MP02930

Model: TA1093A
Rev No: 2

A. MAXIMUM RATING:

1. Input Power Level: 10dBm
2. DC Voltage: 3V
3. Operating Temperature: -40°C to +85°C
4. Storage Temperature: -40°C to +85°C

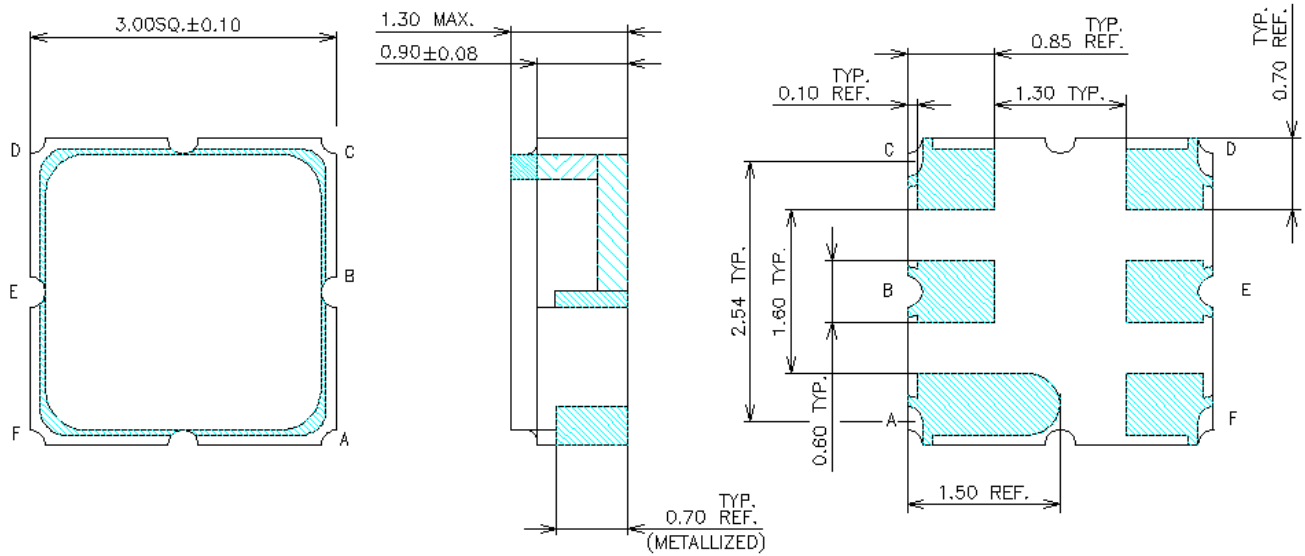
B. ELECTRICAL CHARACTERISTICS:

Item	Unit	Min	Typ	Max
Center Frequency Fc	MHz		1900	
Insertion Loss (1880 ~ 1920MHz) IL	dB		2.7	3.5
Amplitude Ripple (1880 ~ 1920MHz)	dB		1.0	1.5
Group Delay Ripple (1880 ~ 1920MHz)	ns	--	10	40
Input VSWR (1880 ~ 1920MHz)		--	1.5	2.0
Output VSWR (1880~1920MHz)		--	1.5	2.0
Attenuation (Reference level from 0dB)				
0.3 ~ 1000MHz	dB	30	35	
1000 ~ 1700MHz	dB	30	35	
1700 ~ 1830MHz	dB	32	38	
1970 ~ 2400MHz	dB	38	45	
2400 ~ 3000MHz	dB	30	40	
3000 ~ 4000MHz	dB	25	34	
Input / Output Impedance	Ω	50		

SAW Filter 1900.0MHz
Part No: MP02930

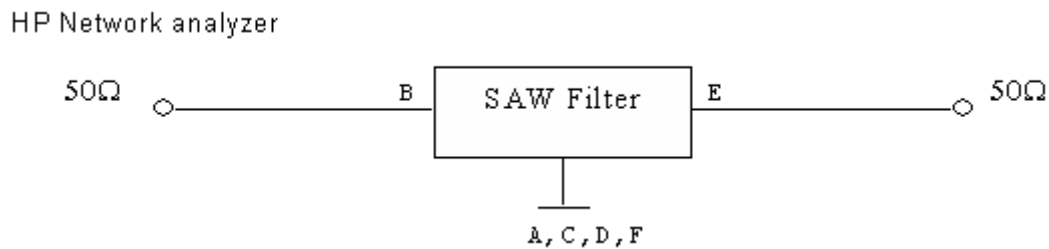
Model: TA1093A
Rev No: 2

C. OUTLINE DRAWING:

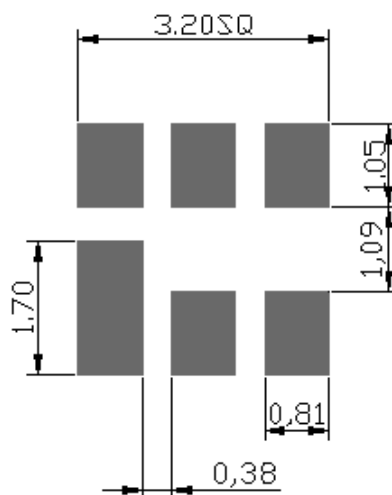


B: Input
 E: Output
 A, C, D, F: Ground
 Dimension: mm

D. MEASUREMENT CIRCUIT:



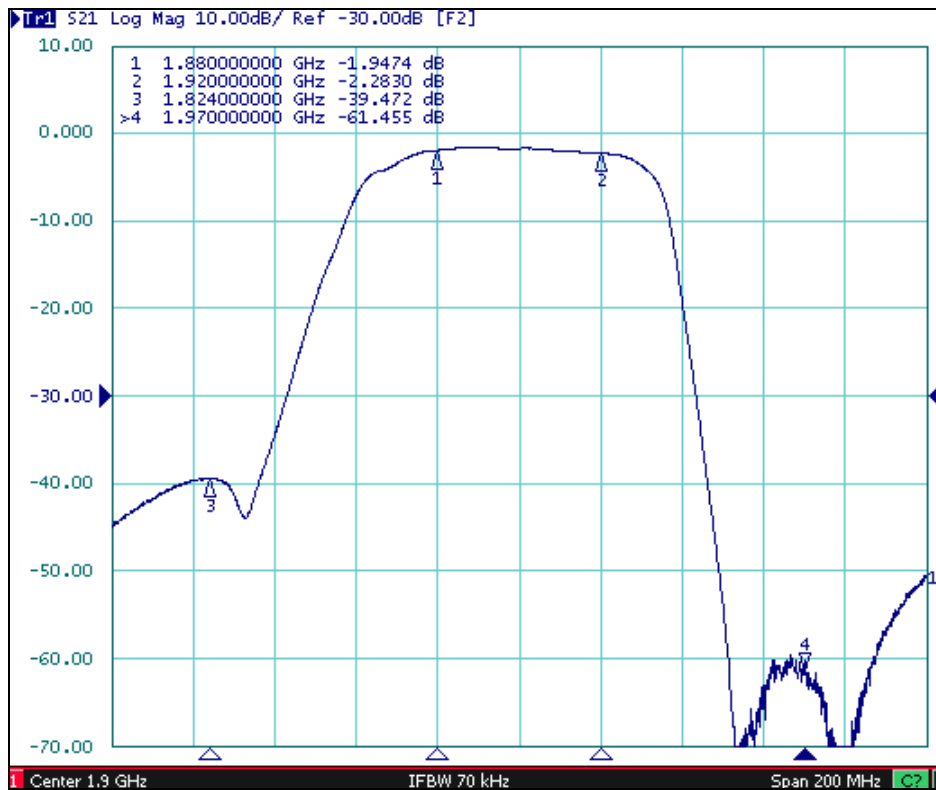
E. PCB FOOTPRINT:



SAW Filter 1900.0MHz
Part No: MP02930

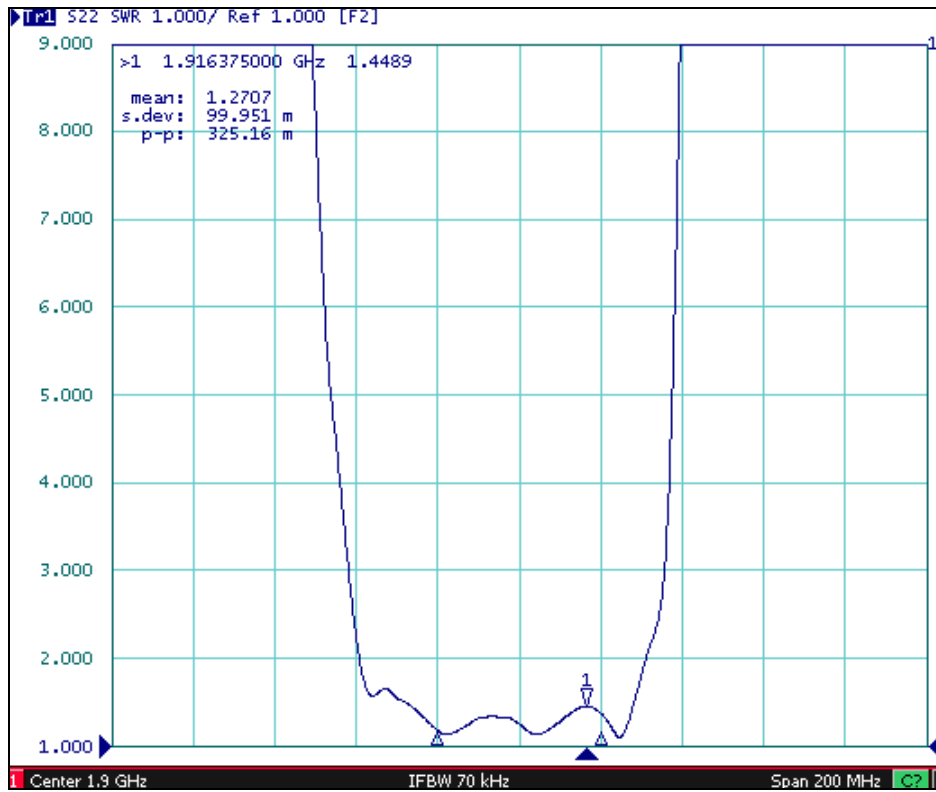
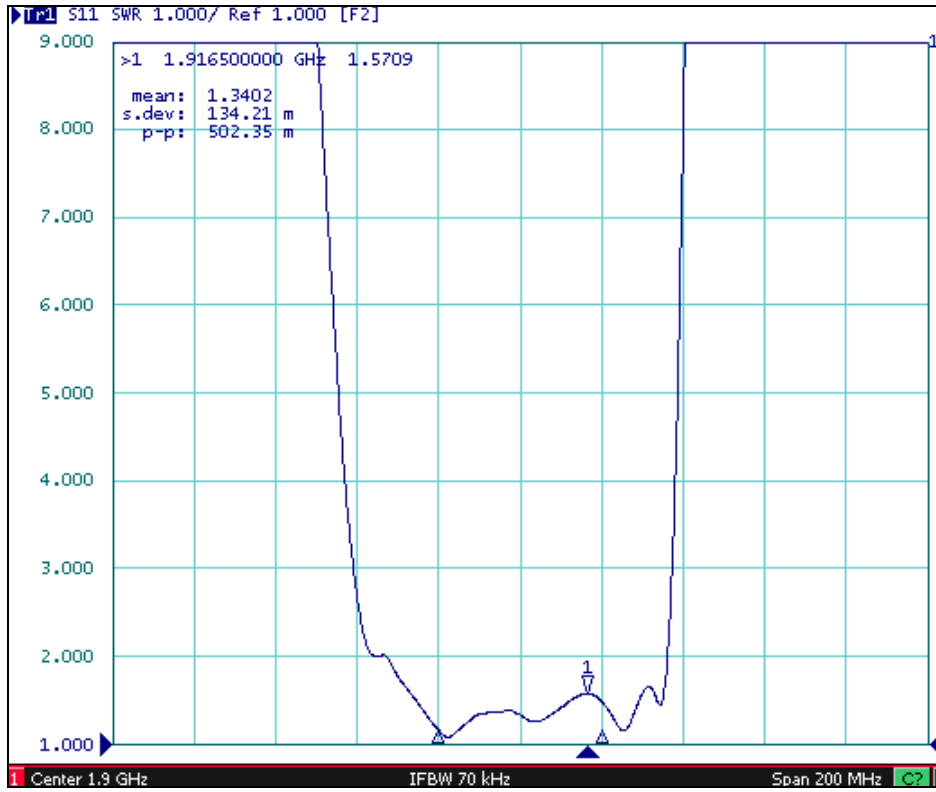
Model: TA1093A
Rev No: 2

F. FREQUENCY CHARACTERISTICS: (Demo Board)



SAW Filter 1900.0MHz
Part No: MP02930

Model: TA1093A
Rev No: 2

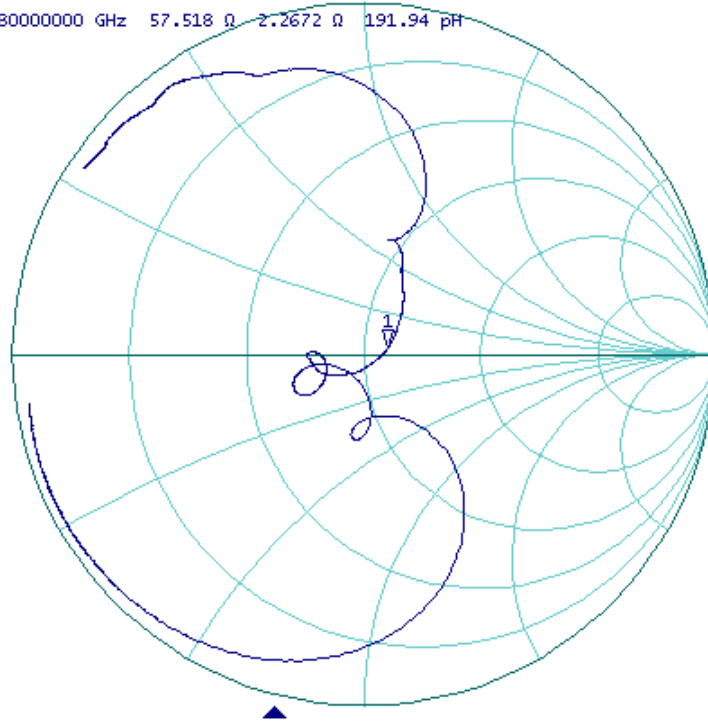


SAW Filter 1900.0MHz
Part No: MP02930

Model: TA1093A
Rev No: 2

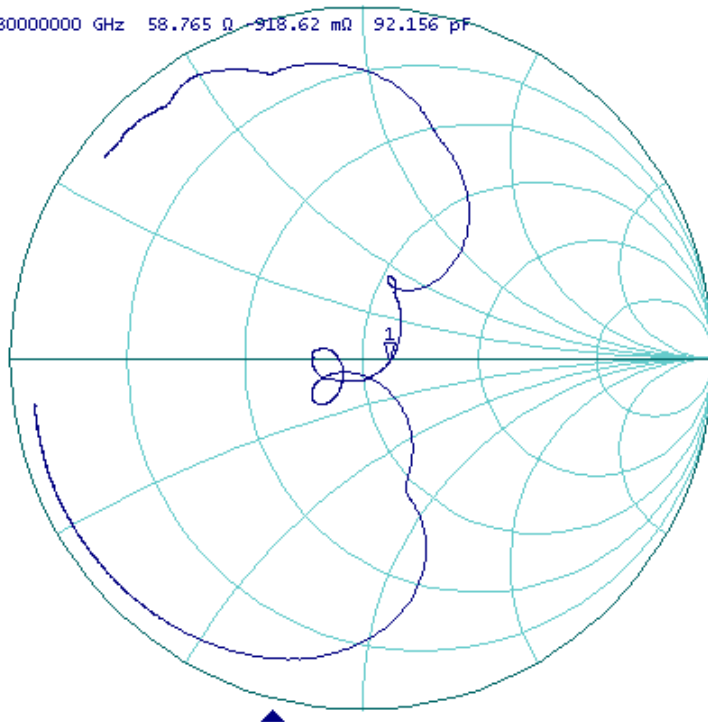
▶ [F2] S11 Smith (R+jX) Scale 1.0000 [F2]

>1 1.880000000 GHz 57.518 Ω -2.2672 Ω 191.94 pF



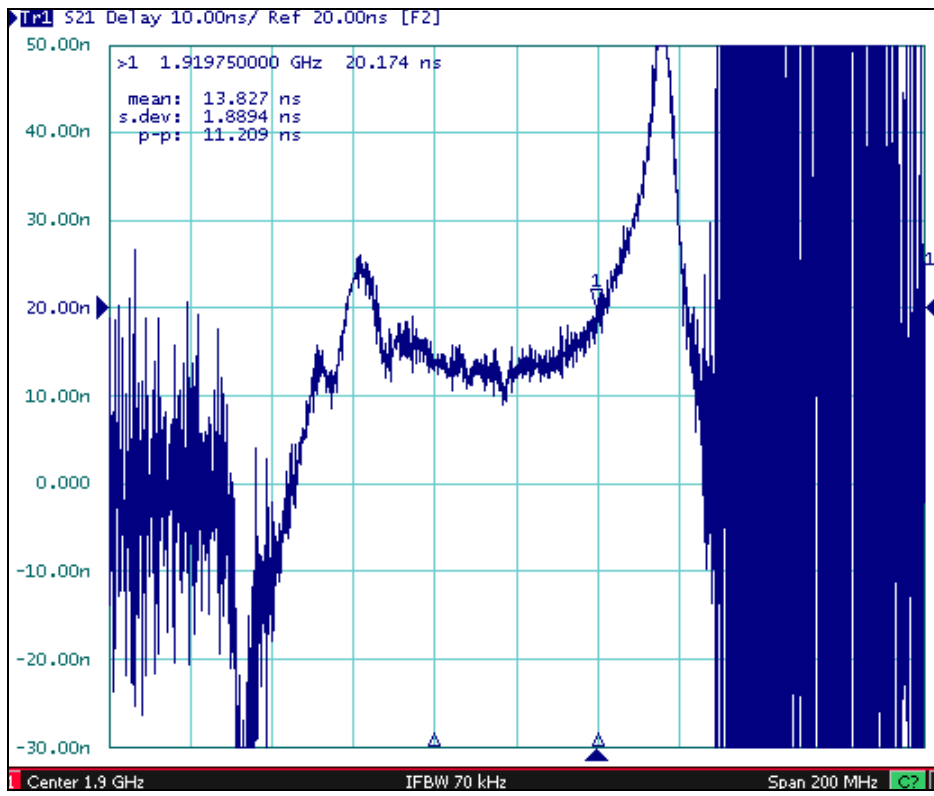
▶ [F2] S22 Smith (R+jX) Scale 1.0000 [F2]

>1 1.880000000 GHz 58.765 Ω -918.62 m Ω 92.156 pF



SAW Filter 1900.0MHz
Part No: MP02930

Model: TA1093A
Rev No: 2

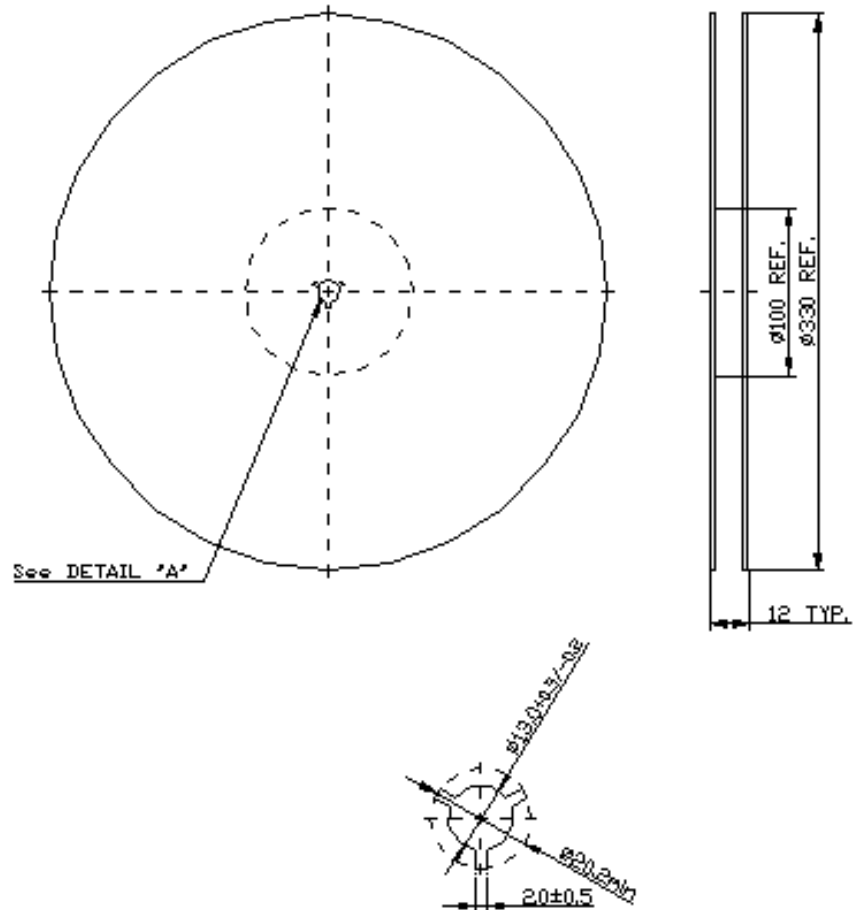


SAW Filter 1900.0MHz
Part No: MP02930

Model: TA1093A
Rev No: 2

G. PACKING:

1. Reel Dimension



2. Tape Dimension

