

SAW Filter 350MHz
Part No: MP02967

Model: TB0674A
Rev No: 1

A. MAXIMUM RATINGS:

1. Input Power Level: 10dBm
2. Operating Temperature: -40°C to 85°C
3. Storage Temperature: -40°C to 85°C

B. ELECTRICAL CHARACTERISTICS:

Ambient Temperature: 25°C

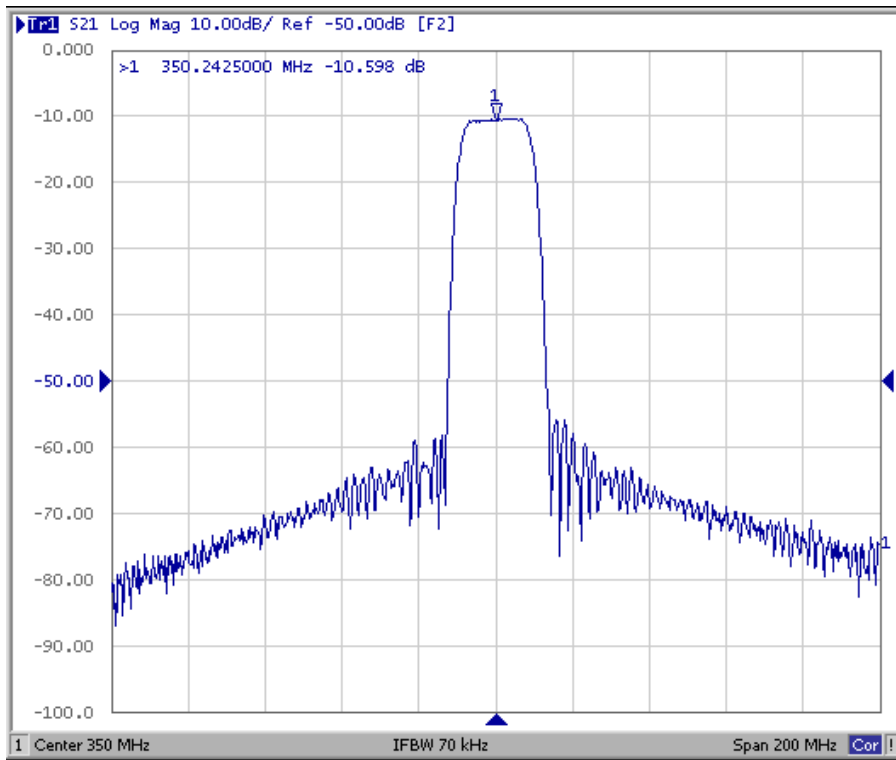
Characteristics	Value		
	Min.	Typ.	Max.
Center frequency Fc MHz	-	350.0	-
Maximum Insertion loss IL dB	-	10.5	12.0
1dB Bandwidth MHz	14	16.2	-
3dB Bandwidth MHz	-	18.2	-
35dB Bandwidth MHz	-	35.3	38.0
Passband Ripple in Fc ± 7.0MHz dB	-	0.6	1.0
S11 Return Loss Fc ± 7.0MHz dB	-	8	-
Temp Coefficient ppm/°C		-18	
Attenuation: (Reference level from minimum insertion loss)			
240 ~ 315MHz dB	40	56	-
385 ~ 450MHz dB	40	56	-

SAW Filter 350MHz
Part No: MP02967

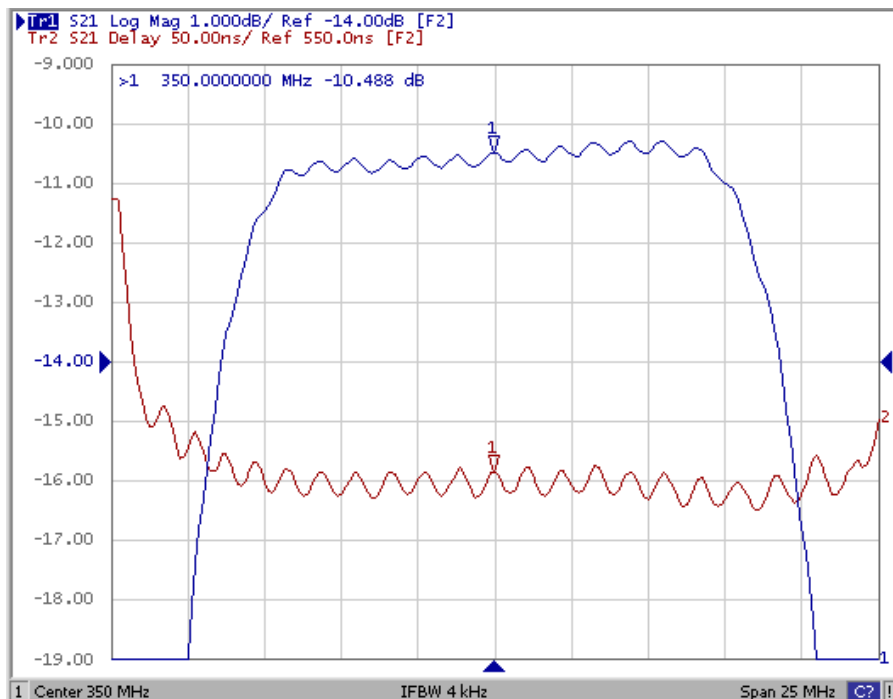
Model: TB0674A
Rev No: 1

C. FREQUENCY CHARACTERISTICS:

1. S21 Response: (span 100MHz)



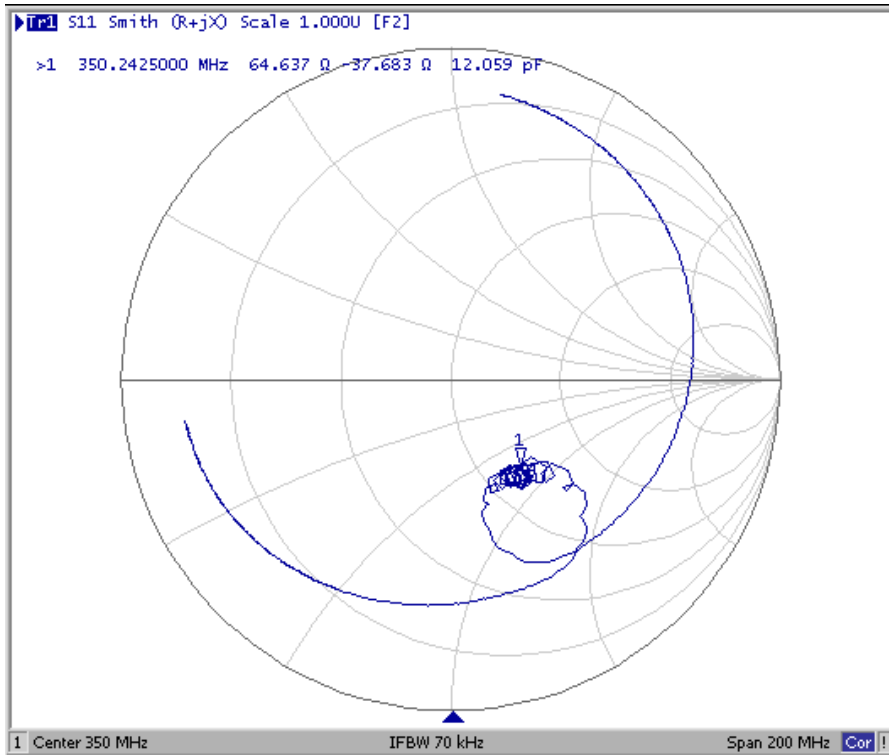
2. Passband Response: (span 25MHz)



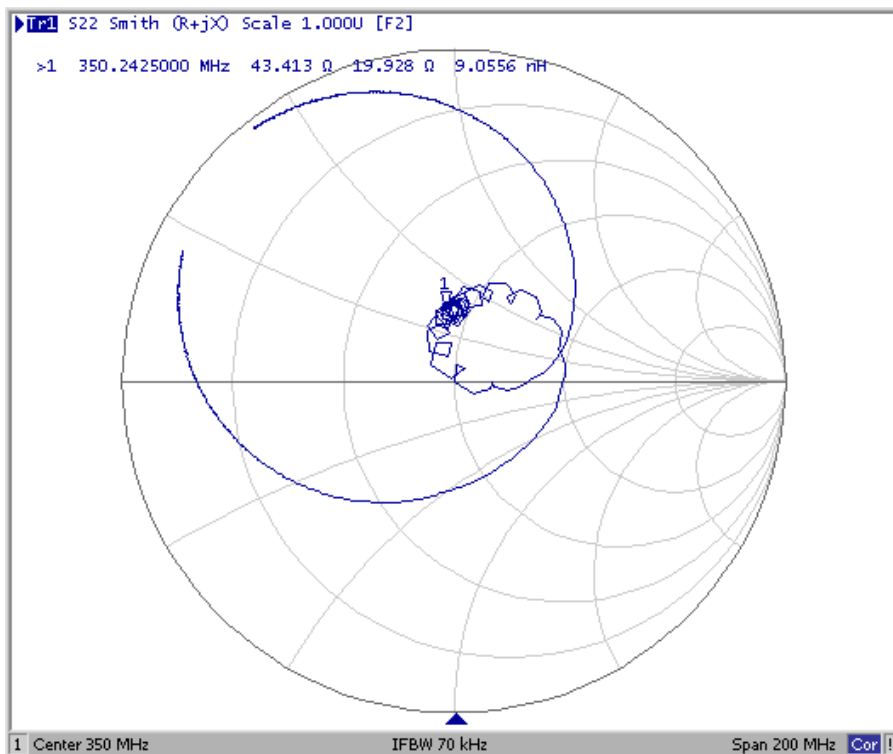
SAW Filter 350MHz
Part No: MP02967

Model: TB0674A
Rev No: 1

3. S11 Smith-Chart: (span 100MHz)



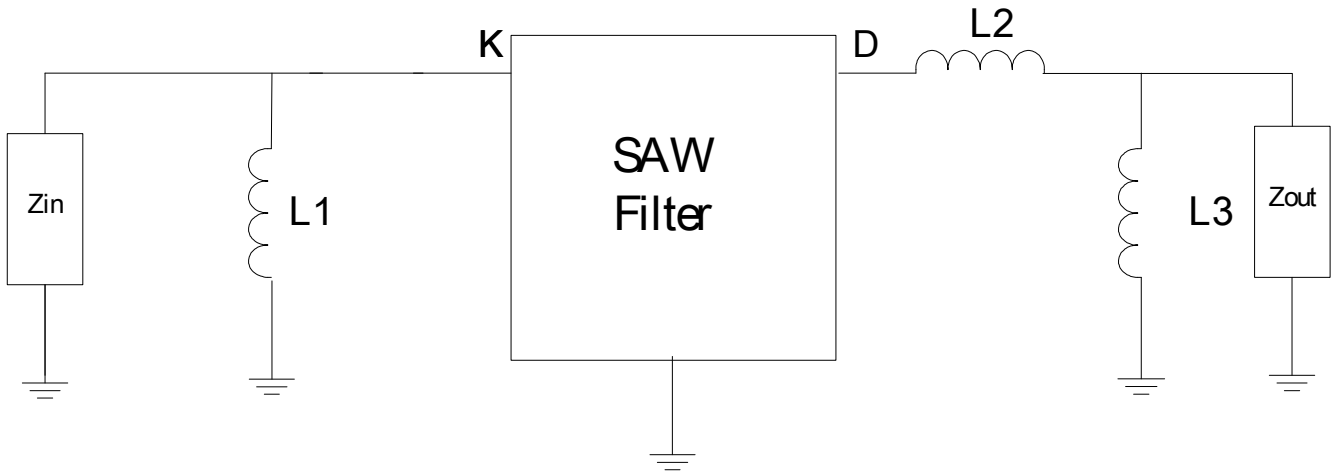
4. S22 Smith-Chart: (span 100MHz)



SAW Filter 350MHz
Part No: MP02967

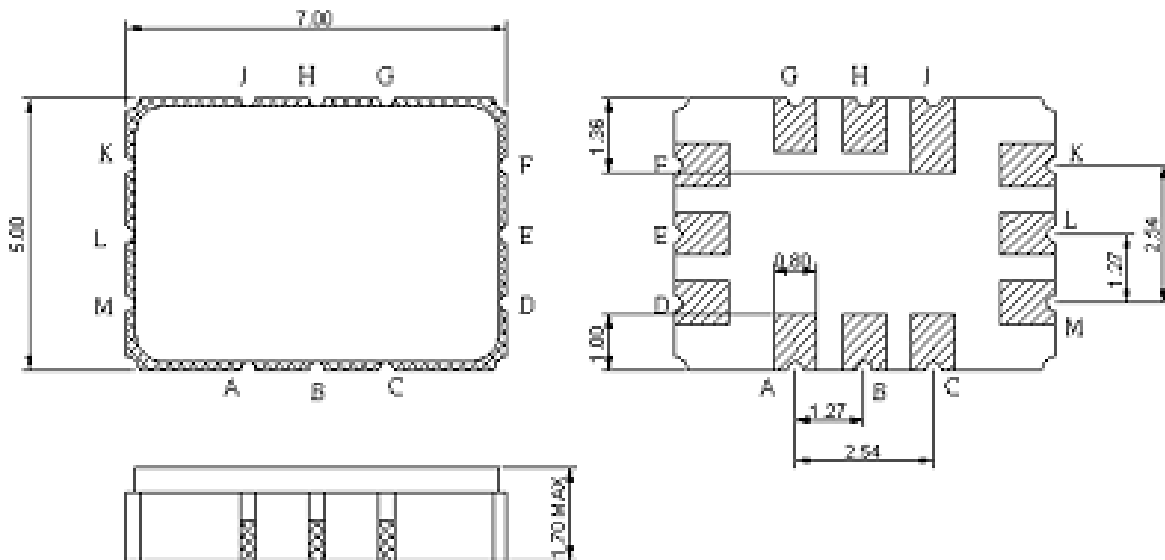
Model: TB0674A
Rev No: 1

D. TEST CIRCUIT:



$$Z_{IN} = Z_{OUT} = 50\Omega, L1 = 15nH, L2 = 10nH, L3 = 8.2nH$$

E. OUTLINE DRAWING:



K: RF input
 D: RF output
 L, M, A, B, C, E, F, G, H, I: Ground
 Unit: mm

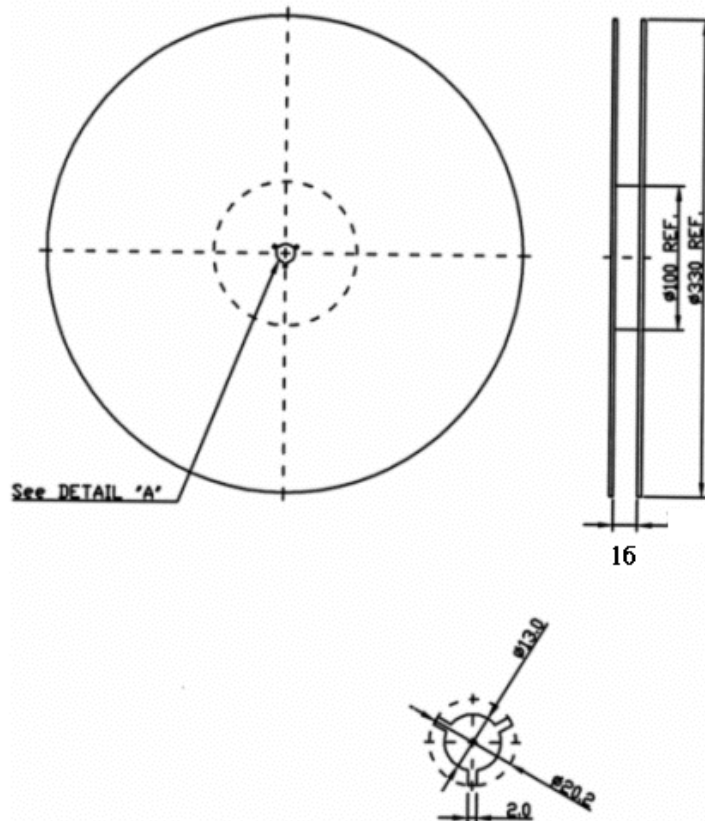
SAW Filter 350MHz
Part No: MP02967

Model: TB0674A
Rev No: 1

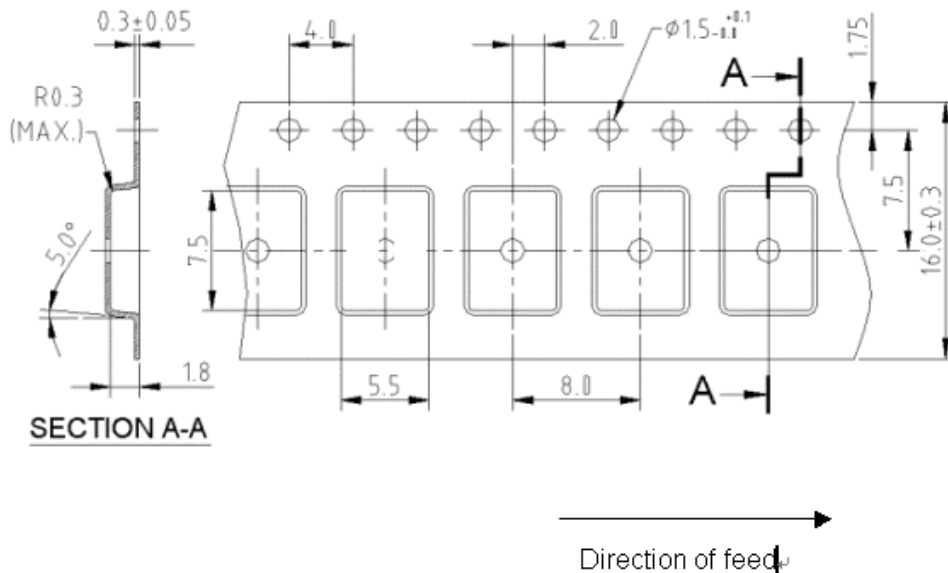
F. PACKING:

1. REEL DIMENSION

(Reel Count: 7" = 1000 typ.; 13" = 2000 typ.)



2. TAPE DIMENSION



SAW Filter 350MHz
Part No: MP02967

Model: TB0674A
Rev No: 1

G. RECOMMENDED REFLOW PROFILE:

