

SAW Resonator 456MHz
Part No: MP02981

Model: TC0281A
Rev No: 1

A. FEATURES:

1-Port Resonator

B. MAXIMUM RATING:

1. Input Power Level: 0dBm
2. DC voltage: 12V
3. Operating Temperature: -40°C to +85°C
4. Storage Temperature: -40°C to +85°C

C. ELECTRICAL CHARACTERISTICS:

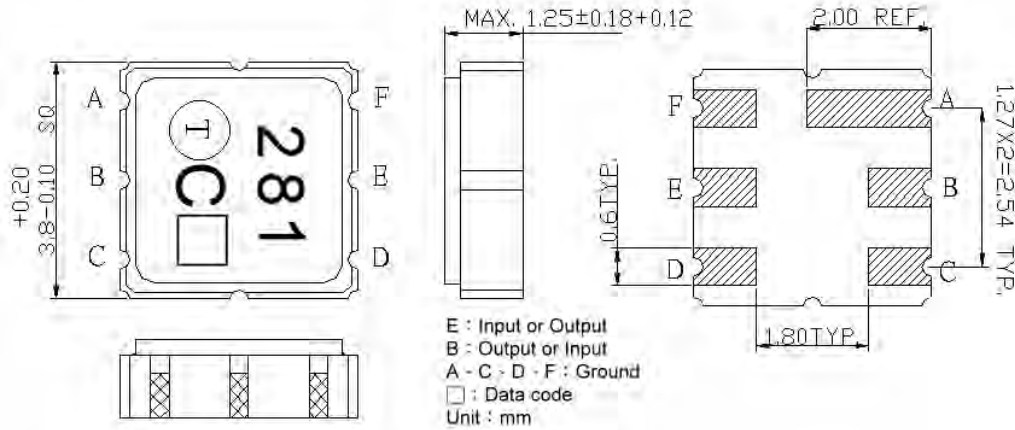
Characteristics	Units	Min.	Typ.	Max.
Center frequency Fc	MHz	455.900	456	456.100
Insertion Loss IL	dB	-	1.6	2.5
Equivalent Elements				
Motional capacitance C1	fF	-	2.466	-
Motional inductance L1	μH	-	98.52	-
Motional resistance R1	Ω	-	23.8	-
Parallel capacitance Co	pF	-	1.23	-
Temp.coeff	ppm/c*2	-	0.032	-
Turnover To	deg.C	10		40
Package size		SMD 3.8 X 3.8 X 1.4mm		

Temperature dependence of Fc: $F_c(T_A) = F_c(T_O) (1 + TC_f(T_A - T_O)^2)$

SAW Resonator 456MHz
Part No: MP02981

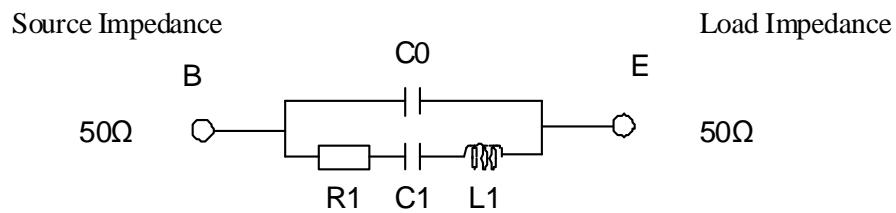
Model: TC0281A
Rev No: 1

D. OUTLINE DRAWING:



E. EQUIVALENT CIRCUIT:

1-Port Resonator



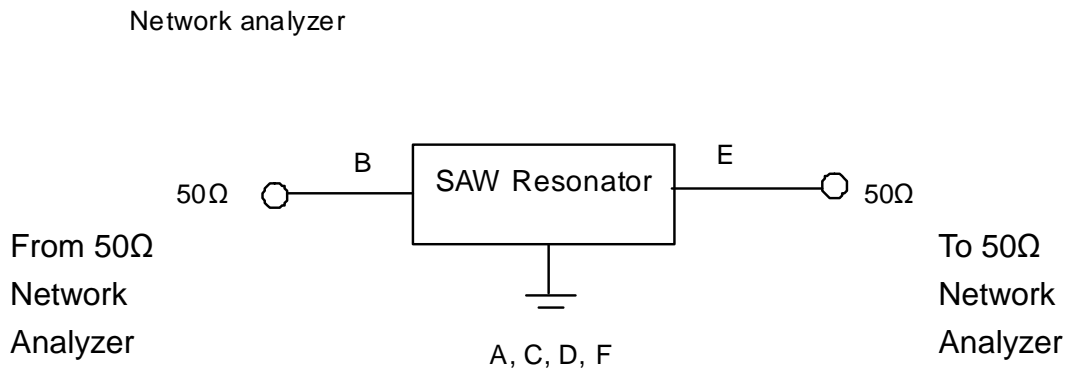
F. FREQUENCY CHARACTERISTICS:



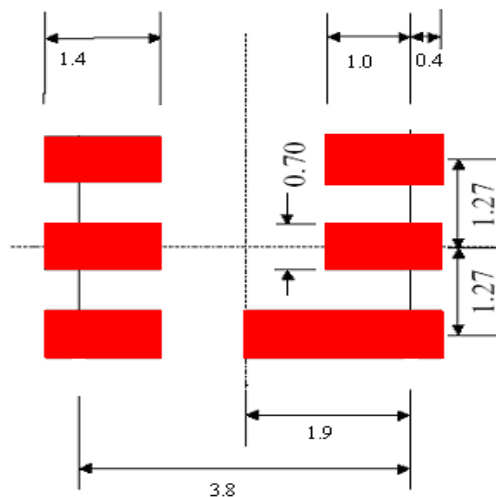
SAW Resonator 456MHz
Part No: MP02981

Model: TC0281A
Rev No: 1

G. TEST CIRCUIT:



H. PCB FOOTPRINT:

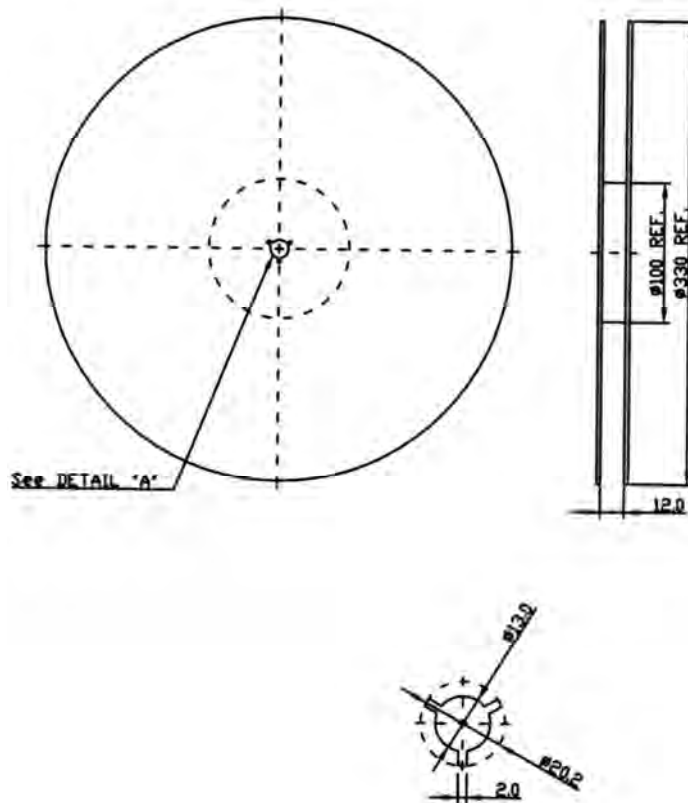


SAW Resonator 456MHz
Part No: MP02981

Model: TC0281A
Rev No: 1

I. PACKING:

1. REEL DIMENSION



2. TAPE DIMENSION

