

SAW Filter 916.450MHz
Part No: MP03019

Model: TA0673A
Rev No: 3

A. MAXIMUM RATING:

Electrostatic Sensitive Device

1. Input Power Level: 20dBm
2. DC voltage: 5V
3. Operating Temperature: -30°C to +70°C
4. Storage Temperature: -40°C to +85°C

B. ELECTRICAL CHARACTERISTICS:

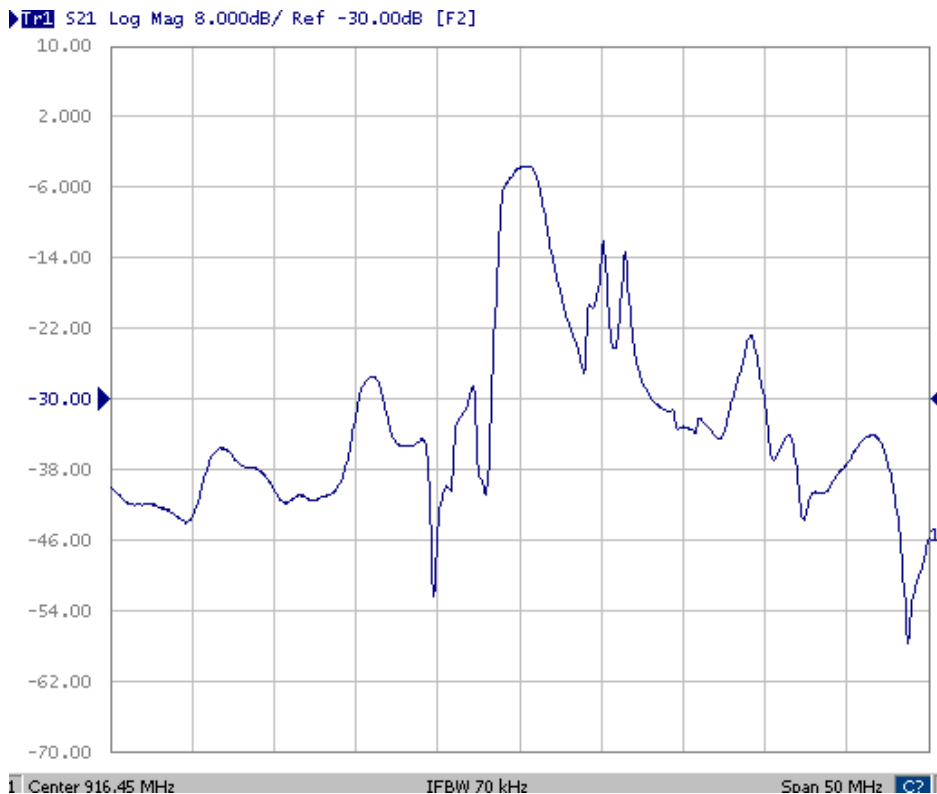
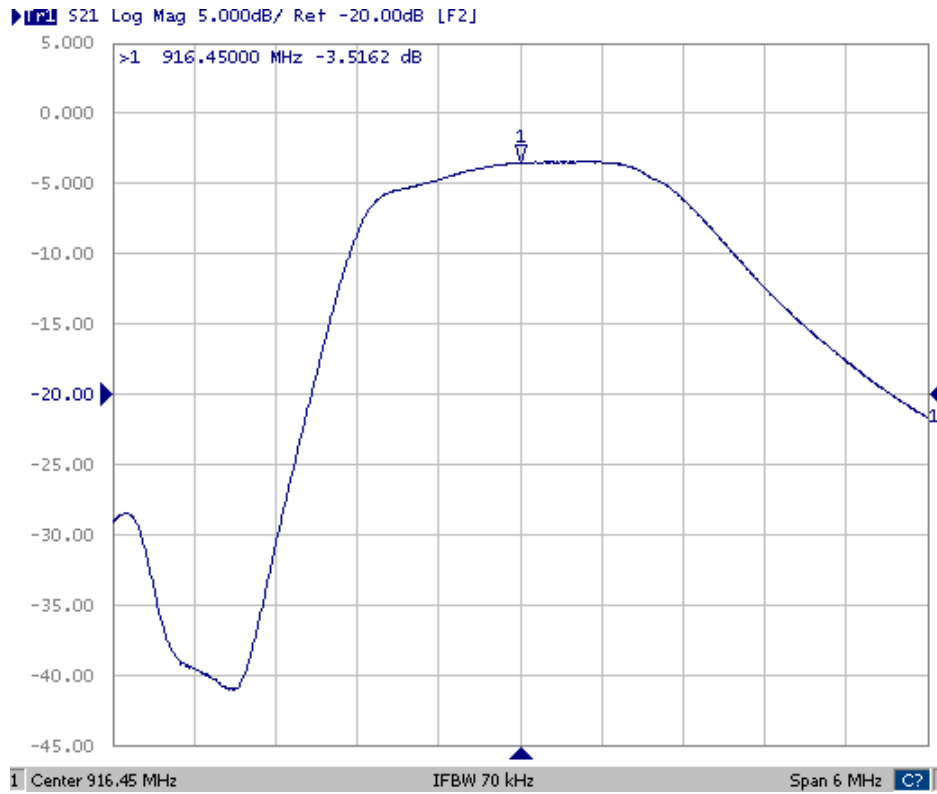
Item	Min.	Typ.	Max.	Note
Center frequency Fc (MHz)	-	916.45	-	1
Insertion Loss IL (dB)	-	4.0	5.0	
Pass band (relative to IL)				1
916.05 ~ 916.8MHz (dB)	-	0.5	3.0	
916.00 ~ 916.86MHz (dB)	-	1.0	6.0	
Pass bandwidth (relative to IL) BW3 (kHz)	1500	2000	-	
Attenuation: (relative to IL) (dB)				1
500 ~ 872MHz (dB)	35	40	-	
872 ~ 894MHz (dB)	30	35	-	
894 ~ 912.7MHz (dB)	18	23	-	
919.6 ~ 924MHz (dB)	6	9	-	
924 ~ 940MHz (dB)	15	18	-	
940 ~ 1000MHz (dB)	30	35	-	
Temperature Coefficient ppm / °C ²		-0.033		
Impedance at Fc	144Ω // 3.4pF			
Input Z _{IN} = R _{IN} // C _{IN}				
Output Z _{OUT} = R _{OUT} // C _{OUT}				

Note 1: The standard definitions is in JIS C 6703

SAW Filter 916.450MHz
Part No: MP03019

Model: TA0673A
Rev No: 3

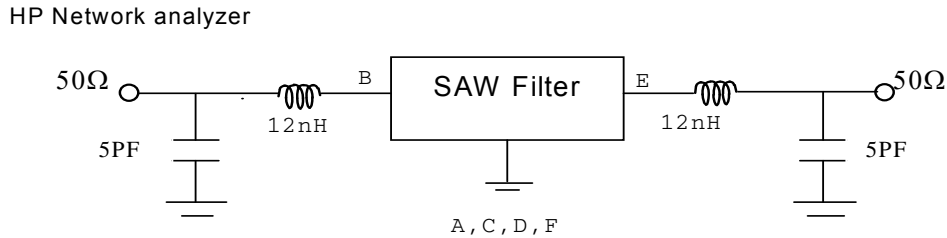
C. FREQUENCY CHARACTERISTICS:



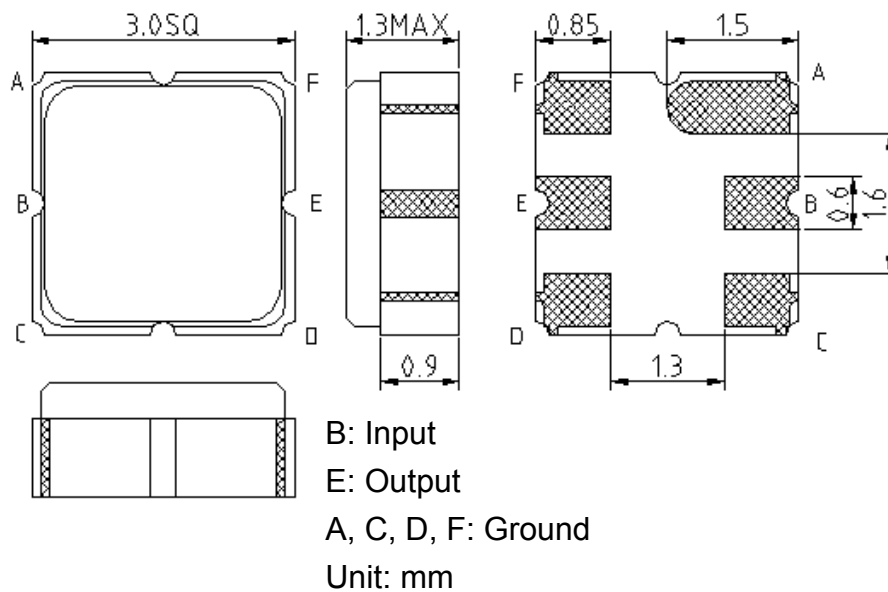
SAW Filter 916.450MHz
Part No: MP03019

Model: TA0673A
Rev No: 3

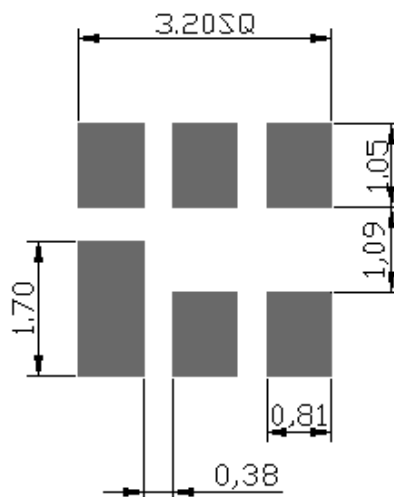
D. MEASUREMENT CIRCUIT:



E. OUTLINE DRAWING:



F. PCB FOOTPRINT:

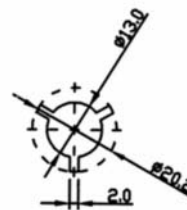
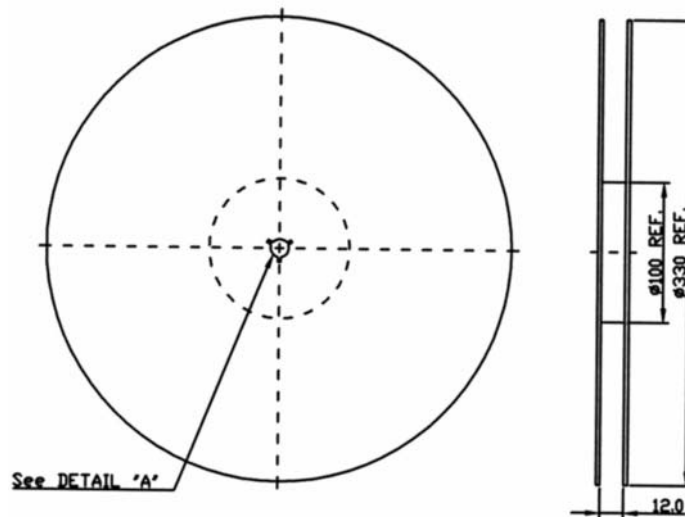


SAW Filter 916.450MHz
Part No: MP03019

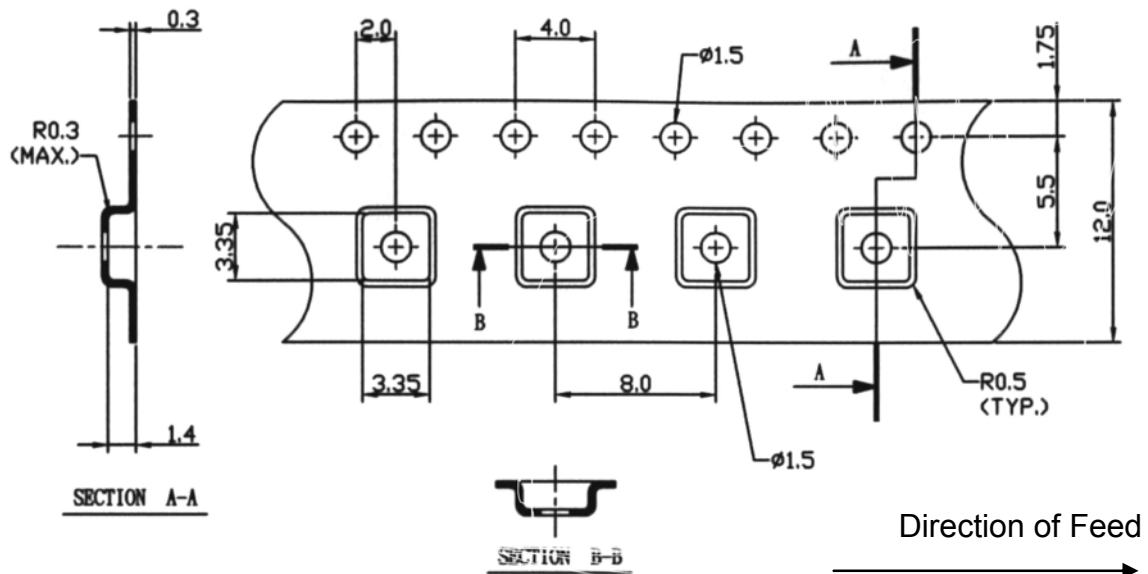
Model: TA0673A
Rev No: 3

G. PACKING:

1. Reel Dimension (Please refer to FR-75D10 for packing quantity)



2. Tape Dimension



SAW Filter 916.450MHz
Part No: MP03019

Model: TA0673A
Rev No: 3

H. RECOMMENDED REFLOW PROFILE:

