

**SAW Filter 475MHz**  
**Part No: MP03079**

**Model: TA1113A**  
**Rev No: 1**

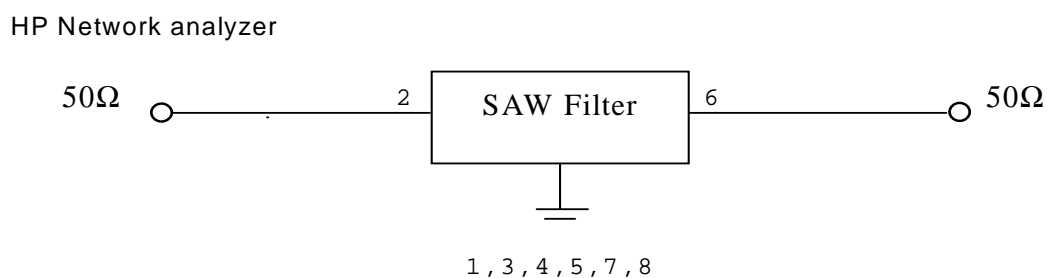
**A. MAXIMUM RATING:**

1. Input Power Level: 10 dBm
2. DC Voltage: 5V
3. Operating Temperature: -30°C to +60°C
4. Storage Temperature: -40°C to +85°C

**B. ELECTRICAL CHARACTERISTICS:**

Item	Unit	Min.	Typ.	Max.
Center frequency Fc	MHz	-	475	-
Insertion loss (465 ~ 485MHz) IL	dB	-	2.4	3.2
Amplitude Ripple (465 ~ 485MHz)	dB	-	0.9	2.4
Return loss (465 ~ 485MHz)	dB	6	7.3	-
Attenuation (Reference level from 0dB)				
0.3 ~ 300MHz	dB	30	57	-
300 ~ 380MHz	dB	24	55	-
380 ~ 445MHz	dB	15	50	-
519.825 ~ 539.825MHz	dB	12	55	-
559.65 ~ 579.65MHz	dB	28	53	-
669.3 ~ 689.3MHz	dB	24	49	-
689.3 ~ 1000MHz	dB	26	42	-
Temperature Coefficient of Frequency	ppm/°C	-	-36	-

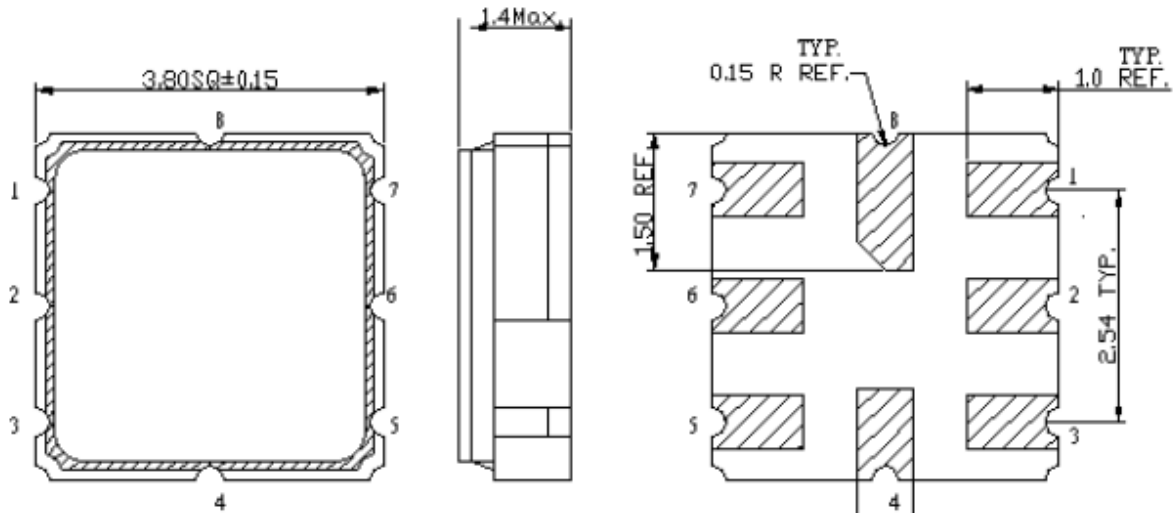
**C. MEASUREMENT CIRCUIT:**



**SAW Filter 475MHz**  
**Part No: MP03079**

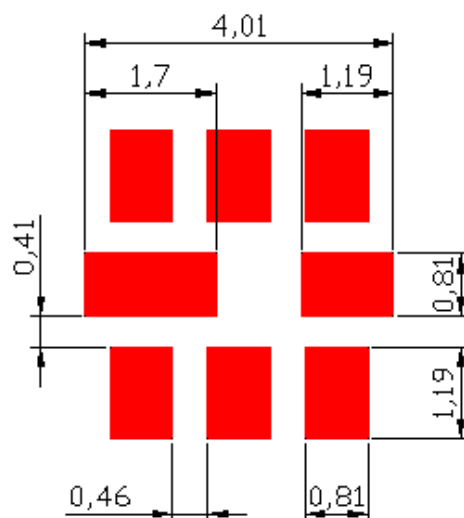
**Model: TA1113A**  
**Rev No: 1**

**D. OUTLINE DRAWING:**



2 : Input  
 6 : Output  
 1,3,4,5,7,8 : Ground

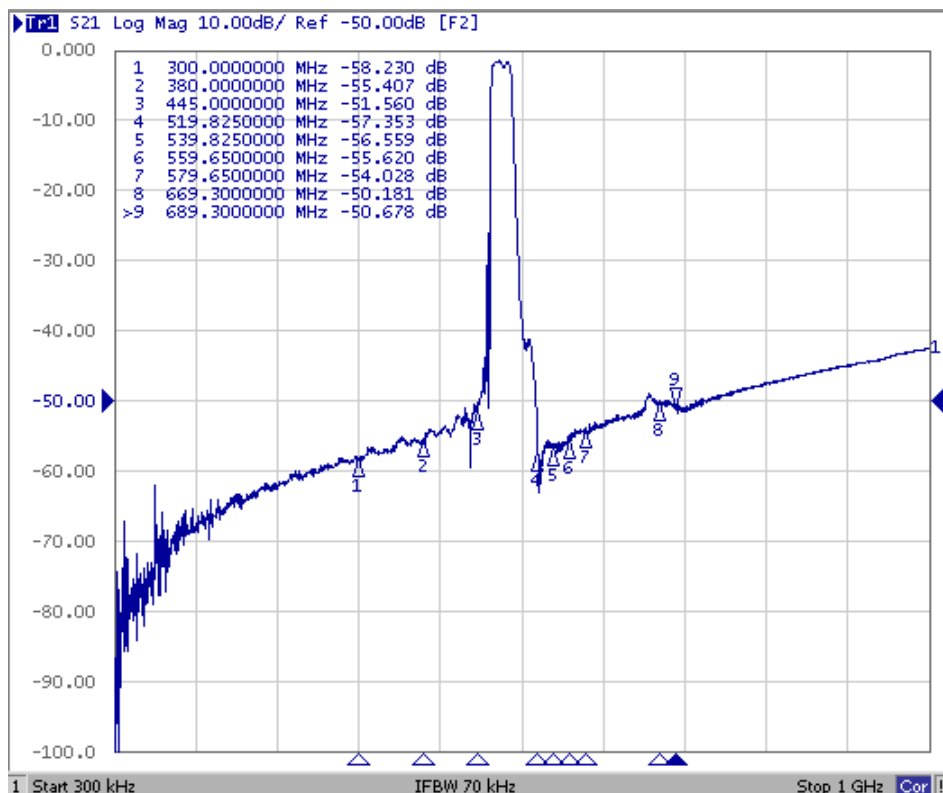
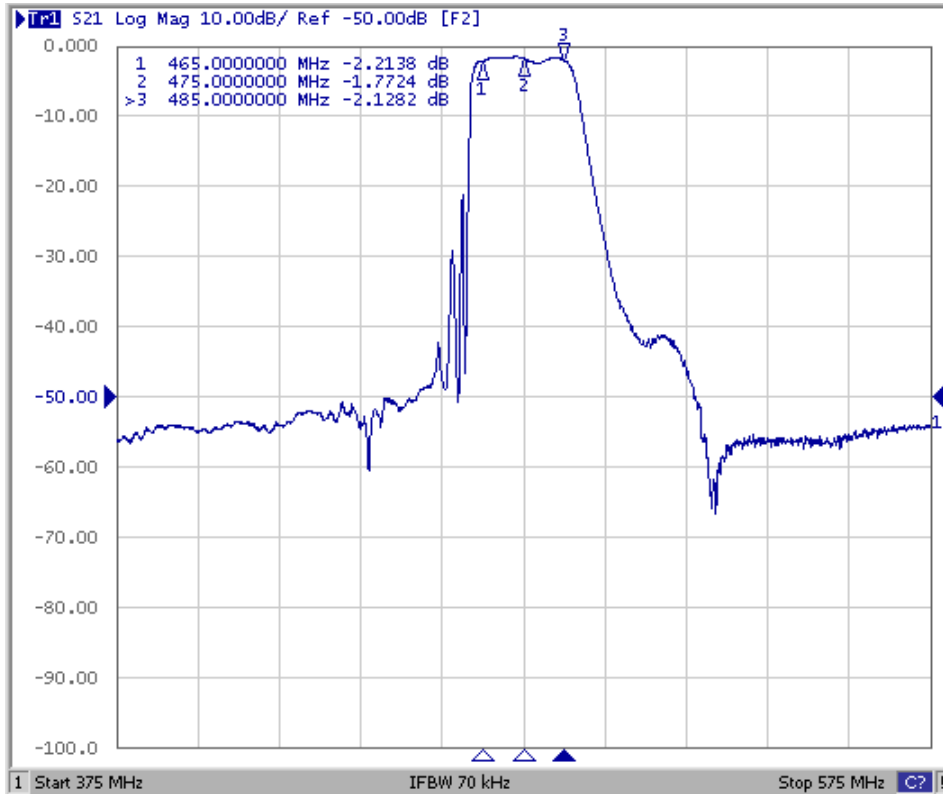
**E. PCB FOOTPRINT:**



**SAW Filter 475MHz**  
**Part No: MP03079**

**Model: TA1113A**  
**Rev No: 1**

**F. FREQUENCY CHARACTERISTICS:**

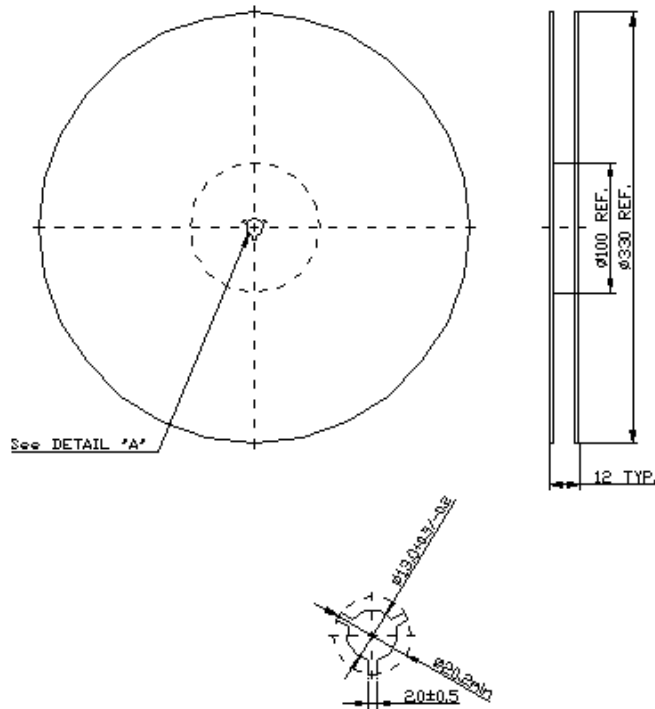


**SAW Filter 475MHz**  
**Part No: MP03079**

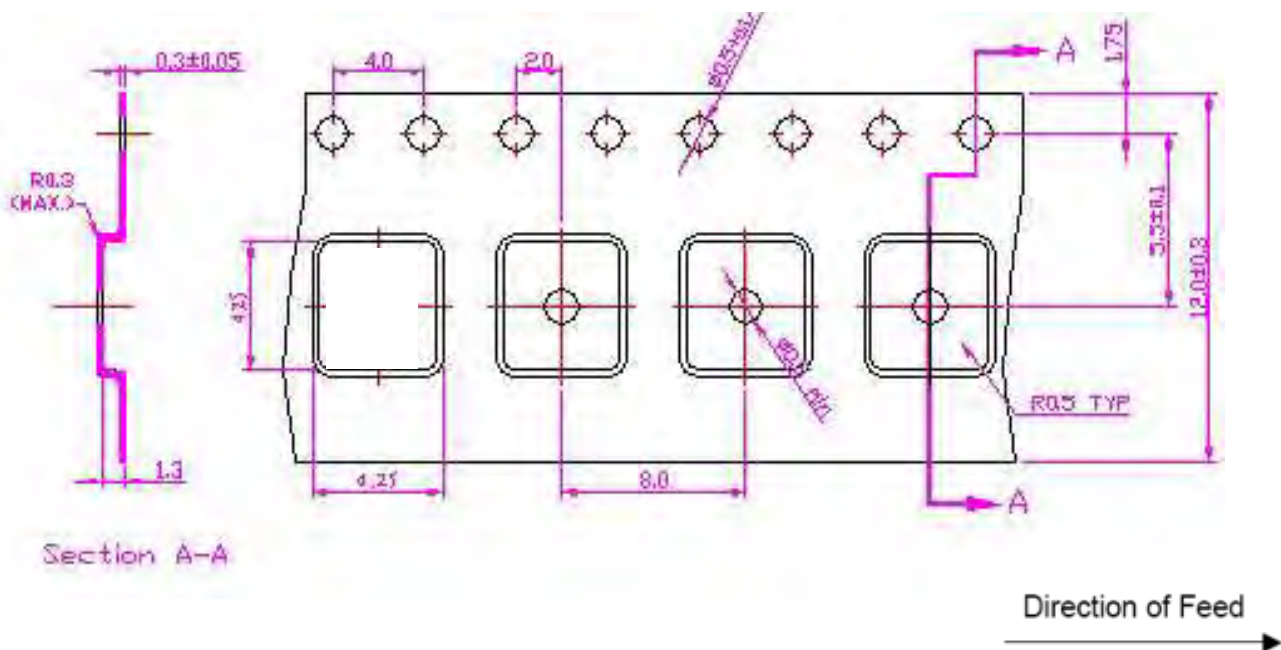
**Model: TA1113A**  
**Rev No: 1**

**G. PACKING:**

1. REEL DIMENSION



2. TAPE DIMENSION



**SAW Filter 475MHz**  
**Part No: MP03079**

**Model: TA1113A**  
**Rev No: 1**

**H. RECOMMENDED REFLOW PROFILE:**

