

**SAW Filter 1960MHz**  
**Part No: MP03082**

**Model: TA0614A**  
**Rev No: 1**

**A. MAXIMUM RATING:**

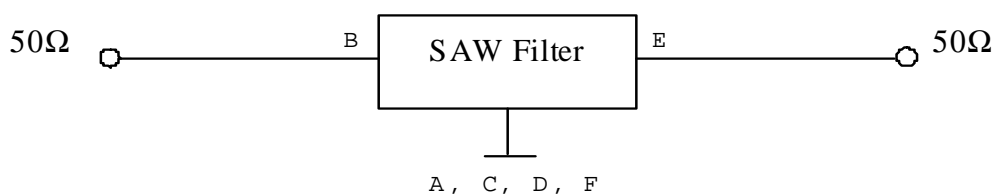
1. Input Power Level: 10dBm
2. DC Voltage: 3V
3. Operating Temperature: -20°C to +75°C
4. Storage Temperature: -40°C to +85°C

**B. ELECTRICAL CHARACTERISTICS:**

Item	Unit	Min.	Typ.	Max.	Note
Center Frequency Fc	MHz	-	1960	-	-
Insertion Loss (1927.5 ~ 1992.5MHz) IL	dB	-	2.7	4	-
Amplitude Ripple (1927.5 ~ 1992.5MHz)	dB	-	1.3	2.5	-
I/O Return Loss (1927.5 ~ 1992.5MHz)	dB	7.4	10.5	-	-
Relative Attenuation (relative to 0dB)					
DC ~ 1740MHz	dB	20	31	-	-
1740 ~ 1801MHz	dB	30	36	-	-
1801 ~ 1880MHz	dB	20	41	-	-
2040 ~ 2120MHz	dB	25	40	-	-
2120 ~ 2500MHz	dB	31	38	-	-
3700 ~ 4000MHz	dB	25	32	-	-

**C. MEASUREMENT CIRCUIT:**

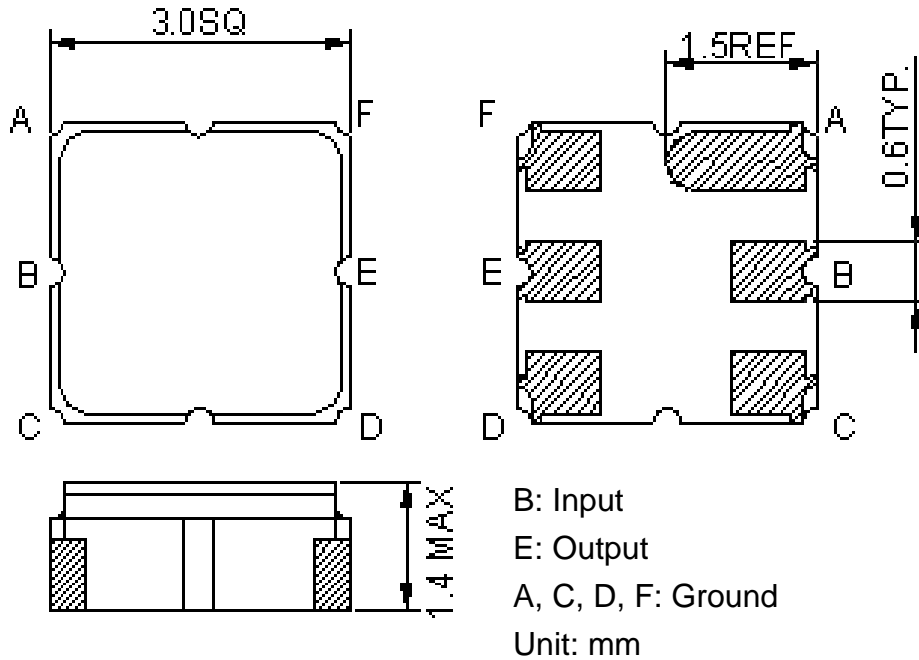
HP Network analyzer



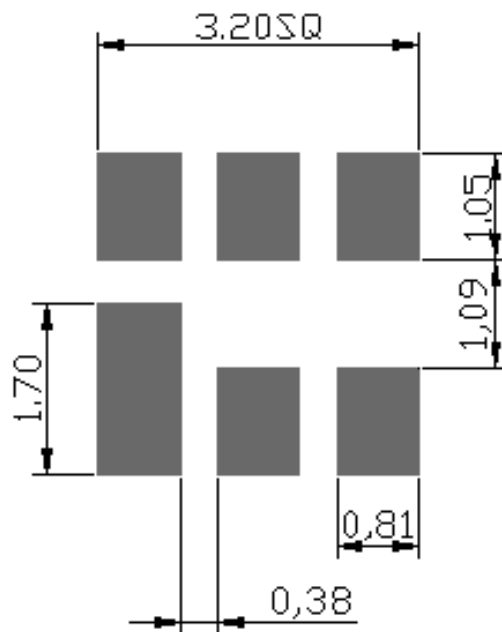
**SAW Filter 1960MHz**  
**Part No: MP03082**

**Model: TA0614A**  
**Rev No: 1**

**D. OUTLINE DRAWING:**



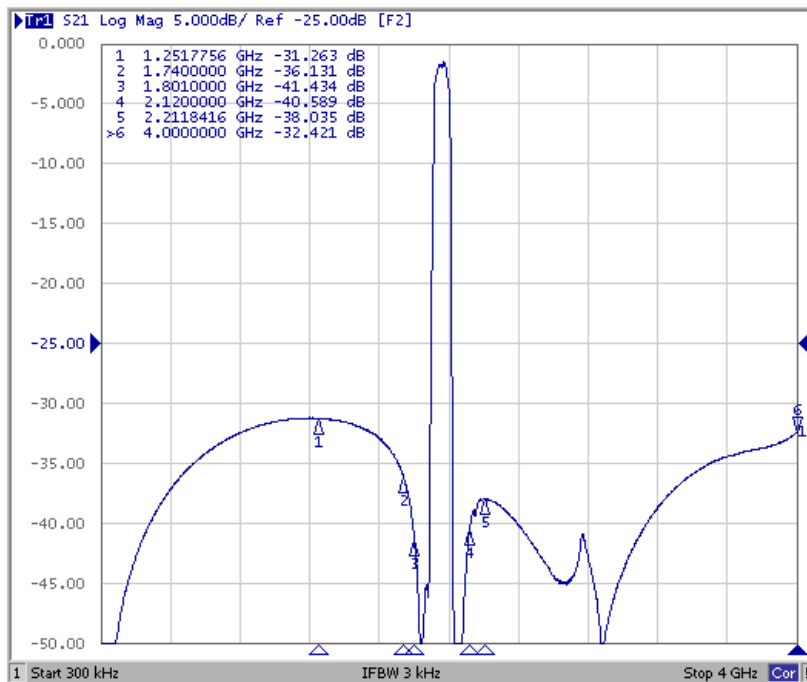
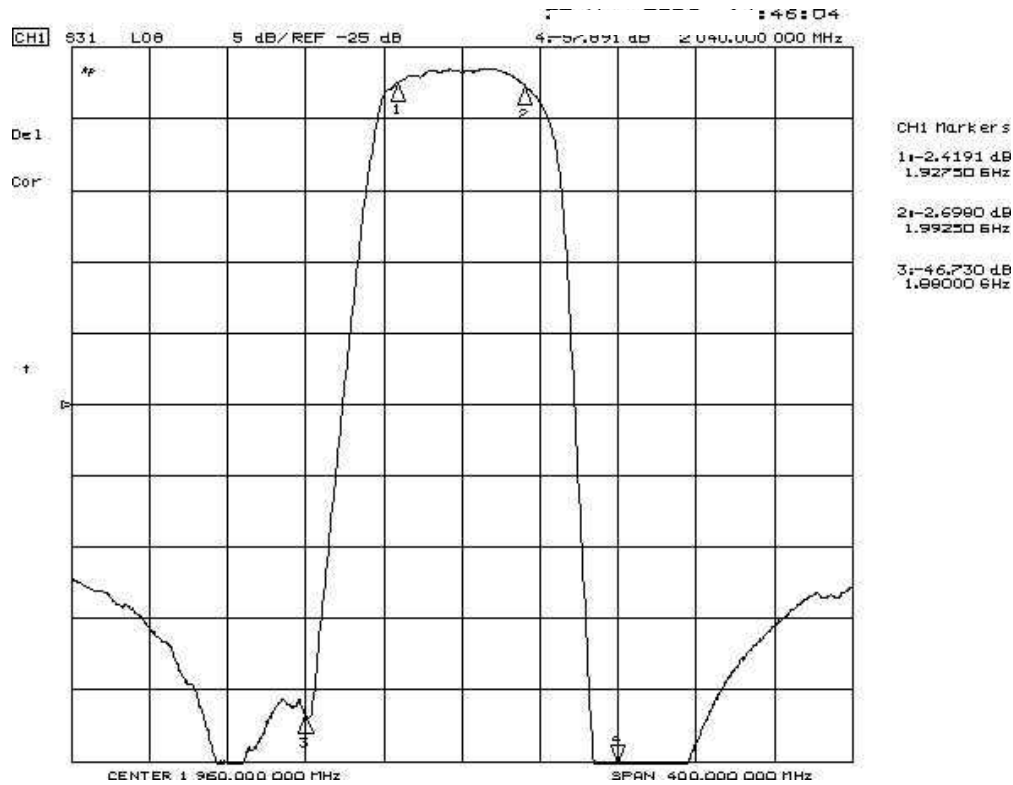
**E. PCB FOOTPRINT:**



**SAW Filter 1960MHz**  
**Part No: MP03082**

**Model: TA0614A**  
**Rev No: 1**

**F. FREQUENCY CHARACTERISTICS:**

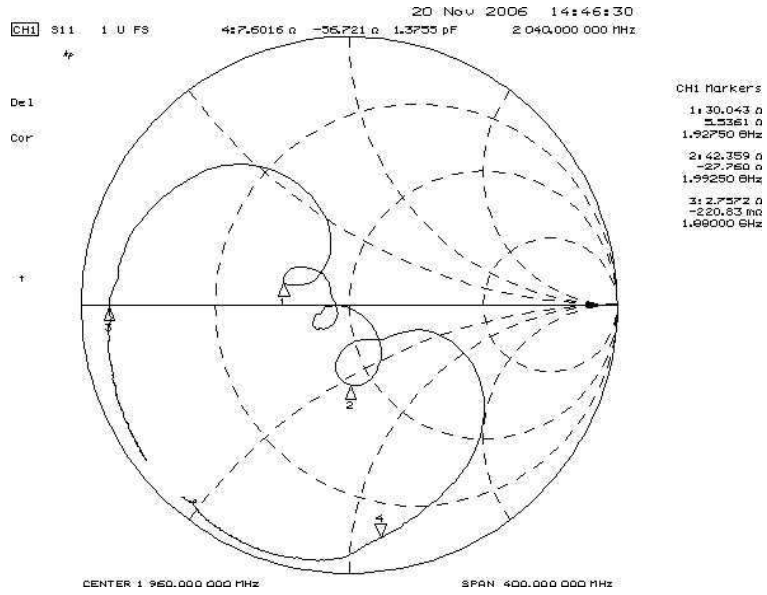
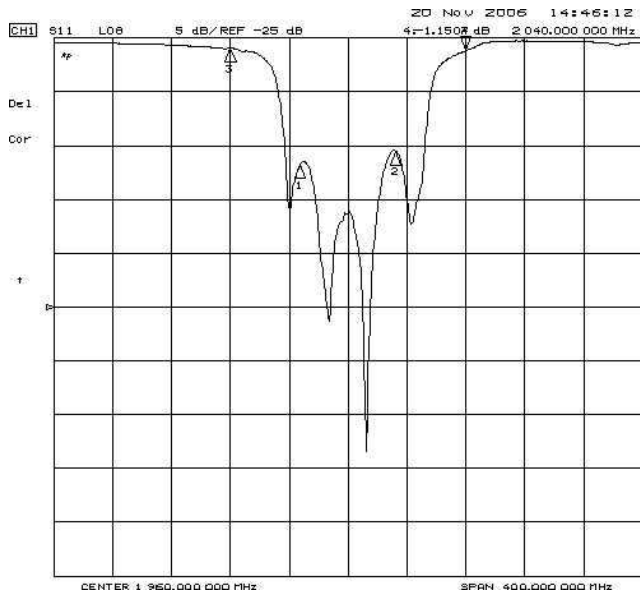


**SAW Filter 1960MHz**  
**Part No: MP03082**

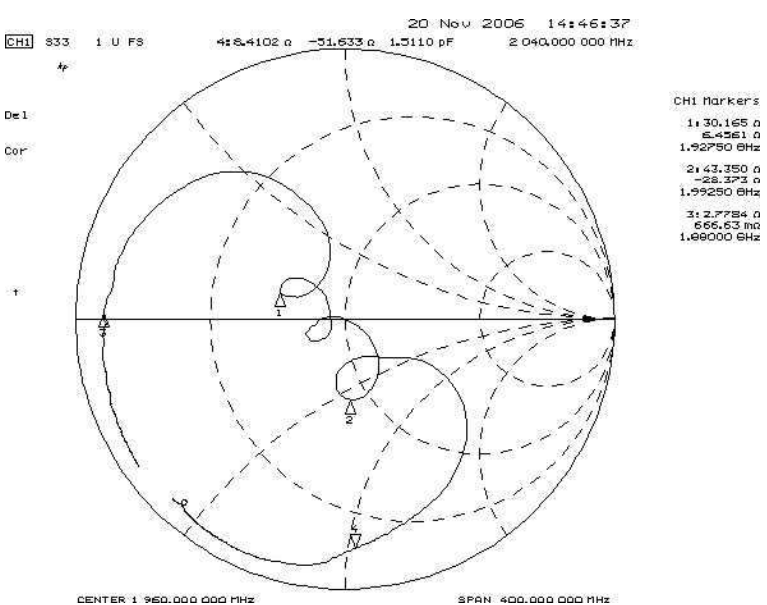
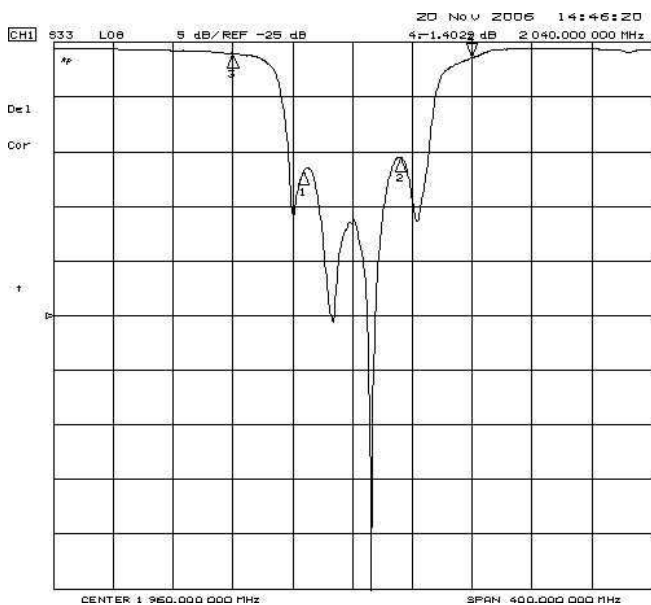
**Model: TA0614A**  
**Rev No: 1**

Reflection Functions

S11



S22



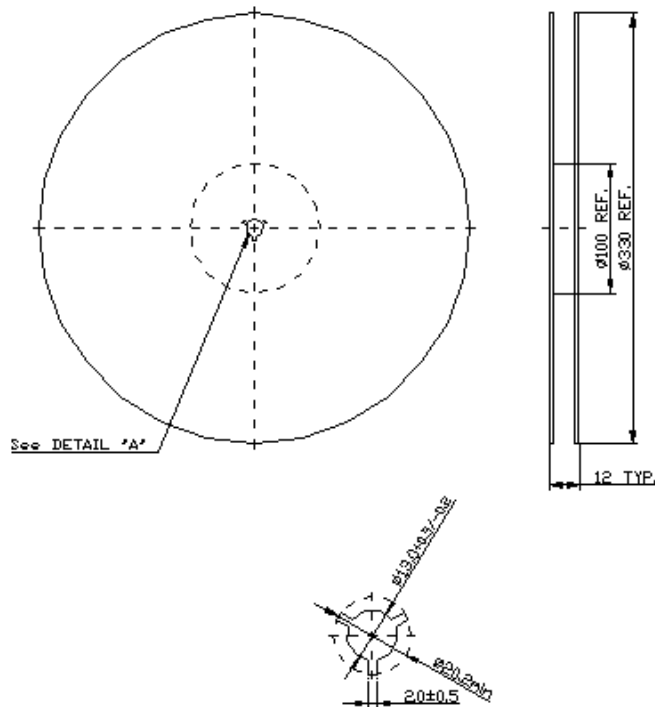
**SAW Filter 1960MHz**  
**Part No: MP03082**

**Model: TA0614A**  
**Rev No: 1**

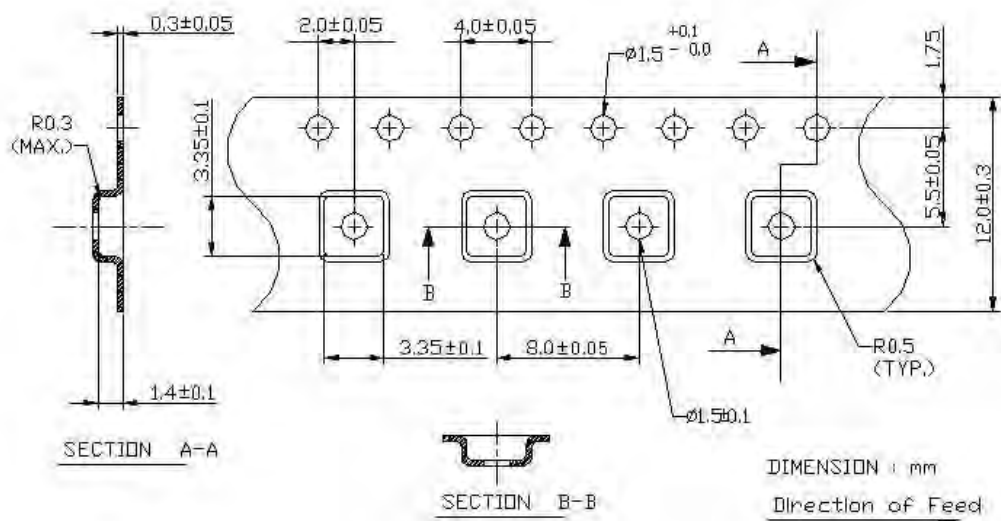
**G. PACKING:**

**1. REEL DIMENSION**

(Reel Count: 7" = 1000; 13" = 3000)



**2. TAPE DIMENSION**



**SAW Filter 1960MHz**  
**Part No: MP03082**

**Model: TA0614A**  
**Rev No: 1**

**H. RECOMMENDED REFLOW PROFILE:**

