

SAW Filter 1575.42MHz
Part No: MP03084

Model: TA0688A
Rev No: 4

A. MAXIMUM RATING:

1. Input Power Level: 10 dBm
2. DC Voltage: 3V
3. Operating Temperature: -40°C to +85°C
4. Storage Temperature: -55°C to +95°C

B. ELECTRICAL CHARACTERISTICS:

Terminating source impedance (single-ended): $Z_S = 50\Omega$

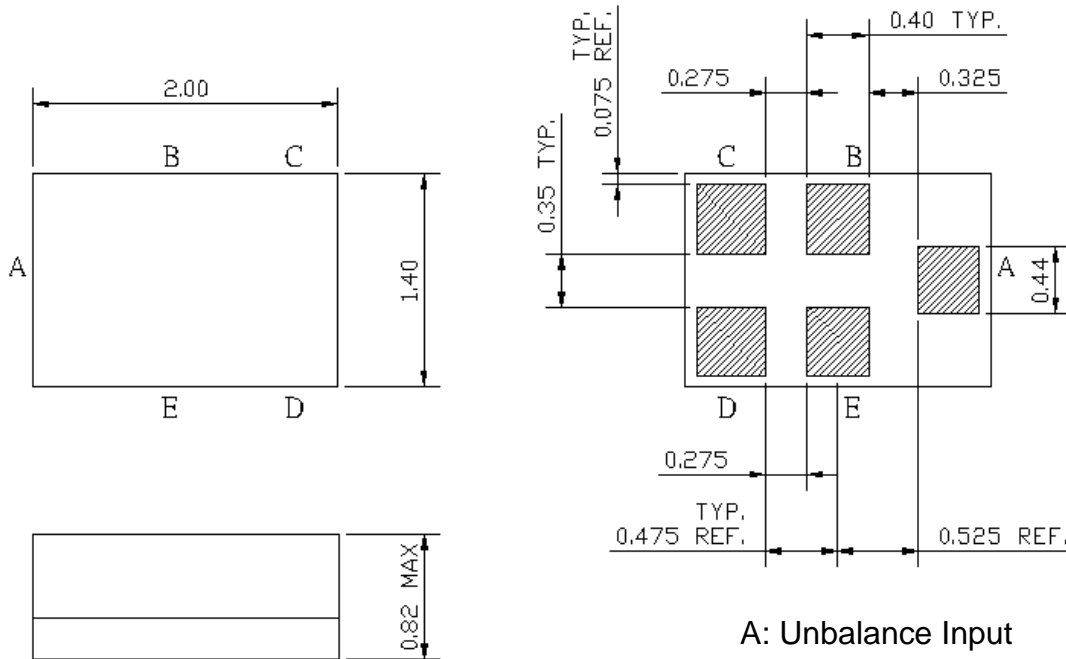
Terminating load impedance (differential): $Z_L = 100\Omega // 20nH$

| Item | Unit | Min. | Typ. | Max. | Note |
|---|------|------|---------|------|------|
| Center Frequency F_c | MHz | - | 1575.42 | - | - |
| Max. Insertion Loss (1574.42 ~ 1576.42MHz) IL | dB | - | 1.35 | 2.0 | - |
| Amplitude ripple (1574.42 ~ 1576.42MHz) | dB | - | 0.1 | 0.5 | - |
| Output amplitude balance ($ S_{31} / S_{21} $) (1574.42 ~ 1576.42MHz) | dB | -2 | 1.3 | 2 | - |
| Output phase balance ($\Phi(S_{31}) - \Phi(S_{21}) + 180^\circ$) (1574.42 ~ 1576.42MHz) | deg | -10 | 1 | 10 | - |
| VSWR (1574.42 ~ 1576.42MHz) | | - | 1.3 | 1.8 | - |
| Attenuation | | | | | |
| 100 ~ 960MHz | dB | 40 | 47 | - | - |
| 960 ~ 1425MHz | dB | 35 | 43 | - | - |
| 1425 ~ 1475MHz | dB | 30 | 52 | - | - |
| 1475 ~ 1515MHz | dB | 20 | 34 | - | - |
| 1515 ~ 1525MHz | dB | 17 | 33 | - | - |
| 1625 ~ 1635MHz | dB | 12 | 22 | - | - |
| 1635 ~ 1675MHz | dB | 20 | 24 | - | - |
| 1675 ~ 1750MHz | dB | 30 | 34 | - | - |
| 1750 ~ 1805MHz | dB | 35 | 41 | - | - |
| 1805 ~ 1980MHz | dB | 40 | 45 | - | - |
| 1980 ~ 2400MHz | dB | 35 | 42 | - | - |
| 2400 ~ 3155MHz | dB | 40 | 49 | - | - |
| 3155 ~ 6000MHz | dB | 35 | 41 | - | - |

SAW Filter 1575.42MHz
Part No: MP03084

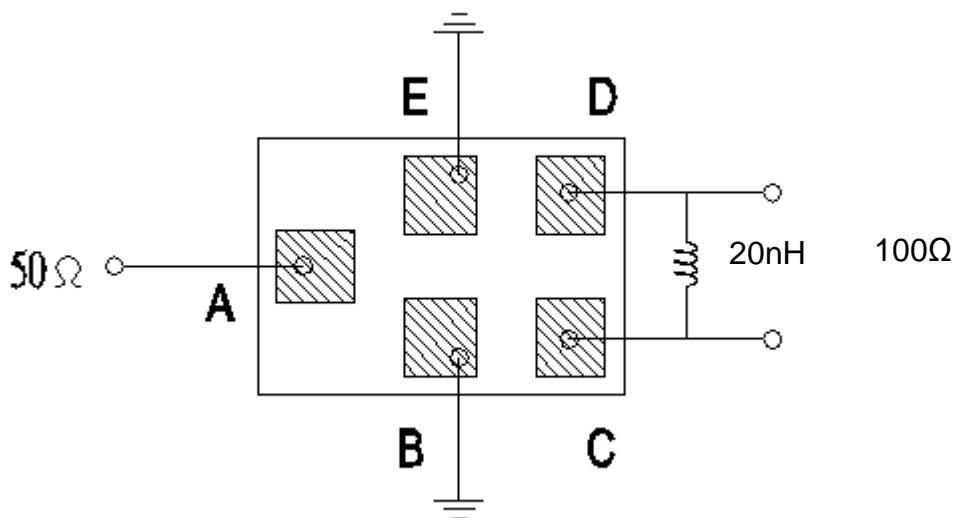
Model: TA0688A
Rev No: 4

C. OUTLINE DRAWING:



A: Unbalance Input
 C, D: Balance Output
 B, E: Ground
 Unit: mm

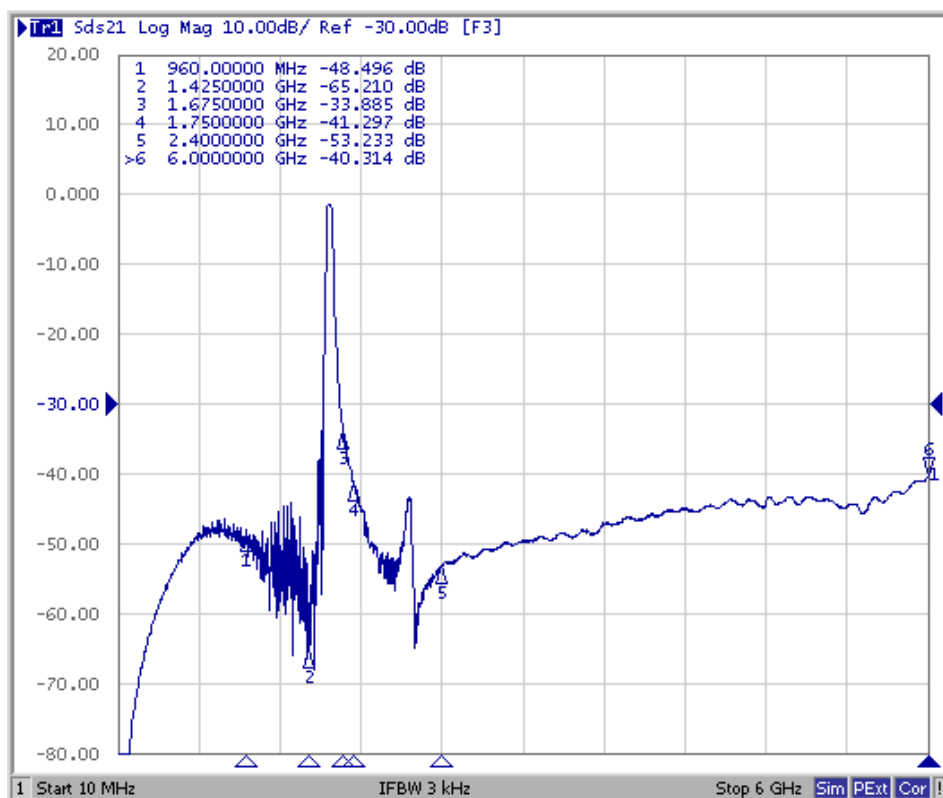
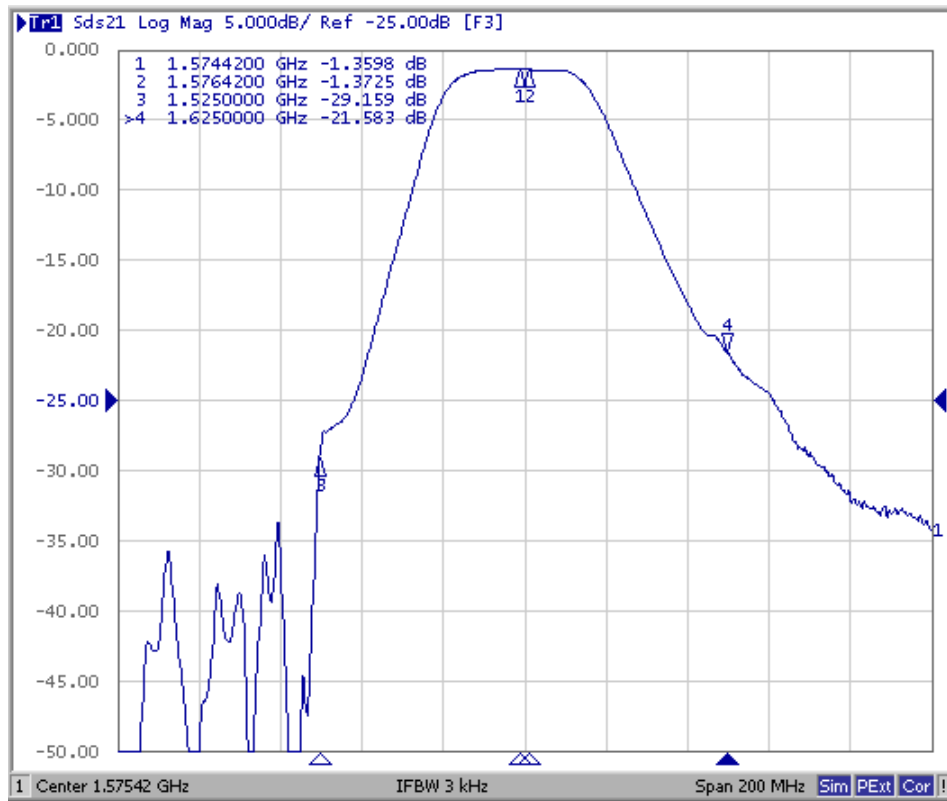
D. MEASUREMENT CIRCUIT:



SAW Filter 1575.42MHz
Part No: MP03084

Model: TA0688A
Rev No: 4

E. FREQUENCY CHARACTERISTICS:

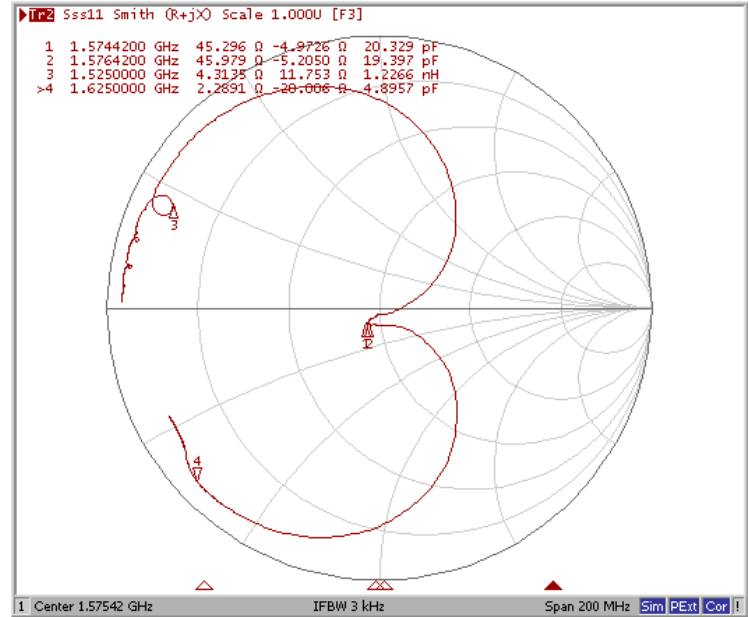
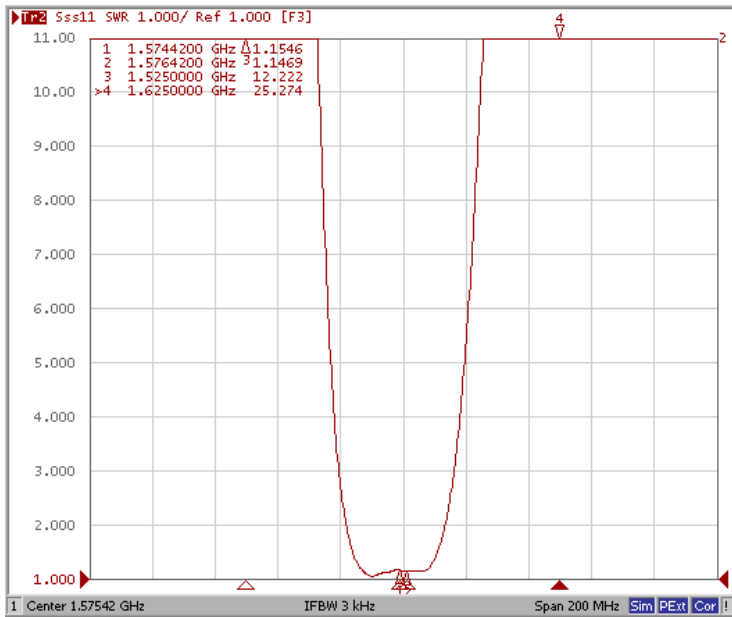


SAW Filter 1575.42MHz
Part No: MP03084

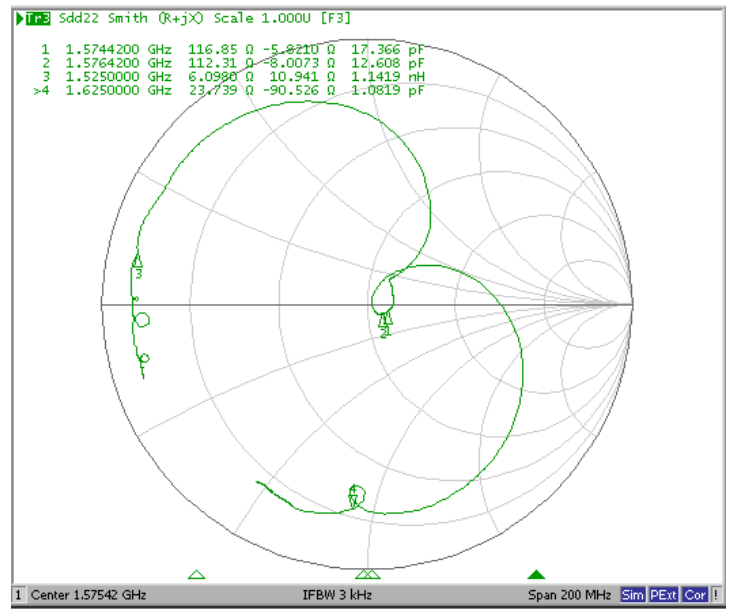
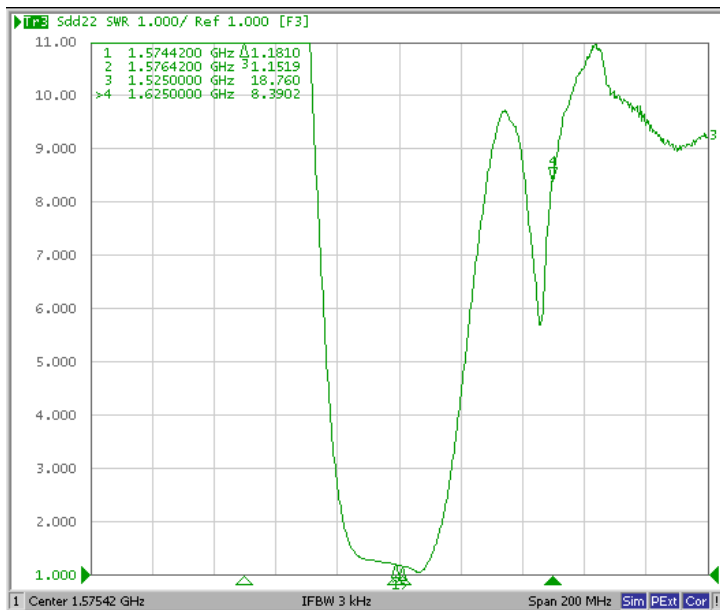
Model: TA0688A
Rev No: 4

Reflection Functions

S11



S22



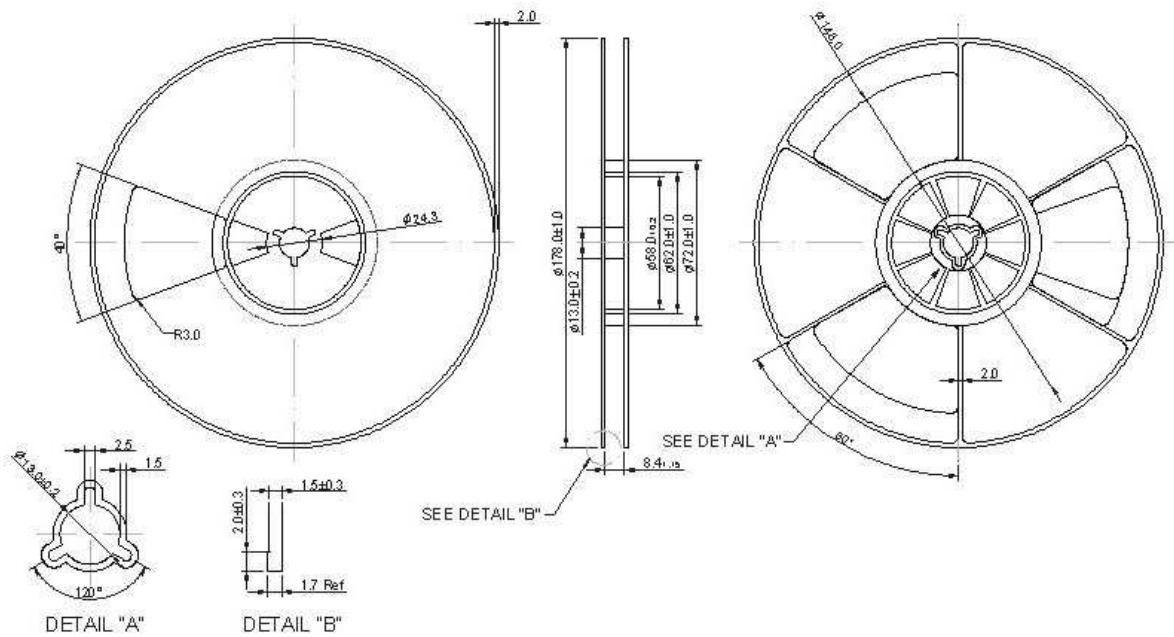
SAW Filter 1575.42MHz
Part No: MP03084

Model: TA0688A
Rev No: 4

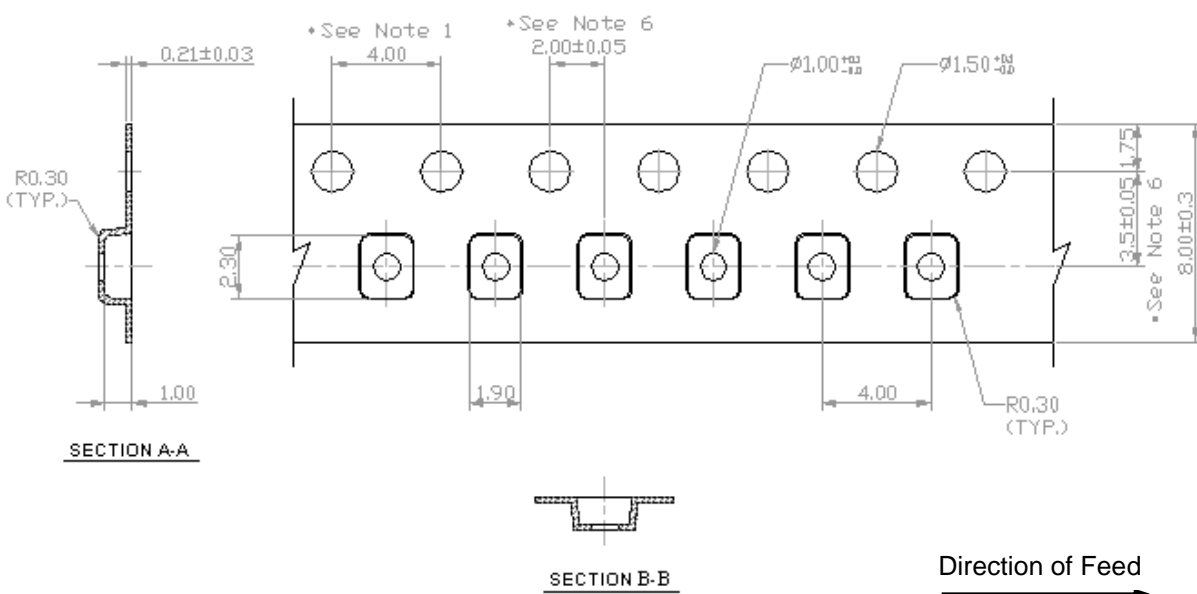
F. PACKING:

1. REEL DIMENSION

(Reel Count: 7" = 2000; 13" = 10000)



2. TAPE DIMENSION



SAW Filter 1575.42MHz
Part No: MP03084

Model: TA0688A
Rev No: 4

G. RECOMMENDED REFLOW PROFILE:

