

SAW Filter 467.5375MHz
Part No: MP03182

Model: TA0476A
Rev No: 1

A. MAXIMUM RATING:

1. Input Power Level: 0dBm
2. DC voltage: 5V
3. Operating Temperature: -40°C to +85°C
4. Storage Temperature: -40°C to +85°C

B. ELECTRICAL CHARACTERISTICS:

TA = -40°C to +85°C

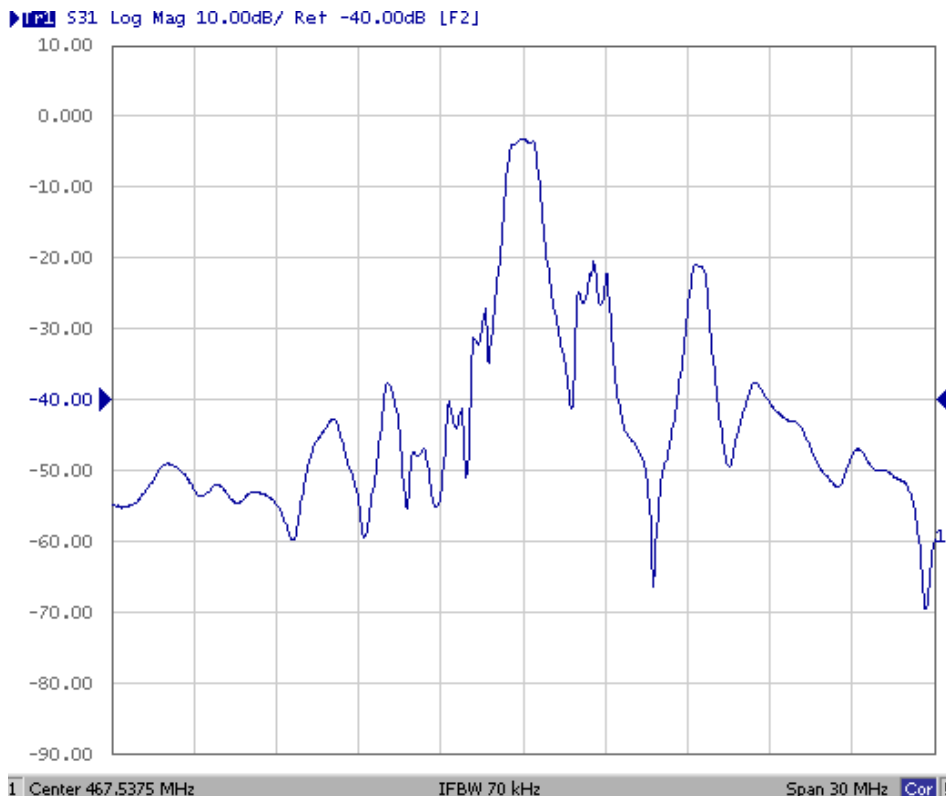
Item	Min.	Typ.	Max.	Note
Center frequency Fc (MHz)	-	467.5375	-	1
IL min (dB)	-	3.1	4	
Pass band (relative to IL min) 467.2875 ~ 467.7875 MHz (dB)	-	0.7	3	1
Pass bandwidth (relative to IL min) BW3 (kHz)	500	950	-	
Attenuation:(relative to dB IL min)				
10 ~ 442.46MHz (dB)	40	47	-	
442.46 ~ 453.26MHz (dB)	40	44	-	
453.6 ~ 466MHz (dB)	15	23	-	
469.2 ~ 478.6MHz (dB)	10	16	-	
478.6 ~ 490.6MHz (dB)	38	42	-	1
490.6 ~ 1000MHz (dB)	40	45	-	

Note 1: The standard definitions is in JIS C 6703

SAW Filter 467.5375MHz
Part No: MP03182

Model: TA0476A
Rev No: 1

C. FREQUENCY CHARACTERISTICS:

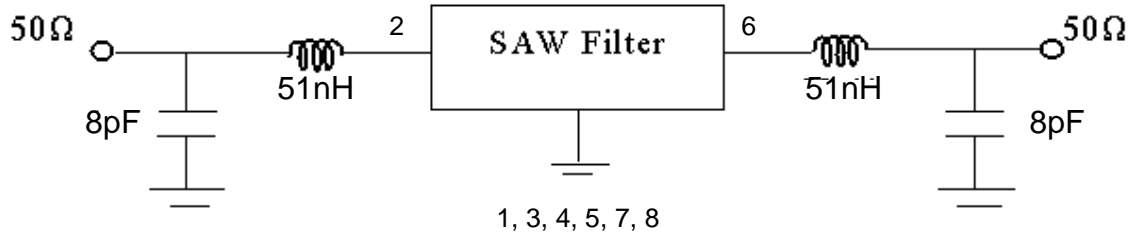


SAW Filter 467.5375MHz
Part No: MP03182

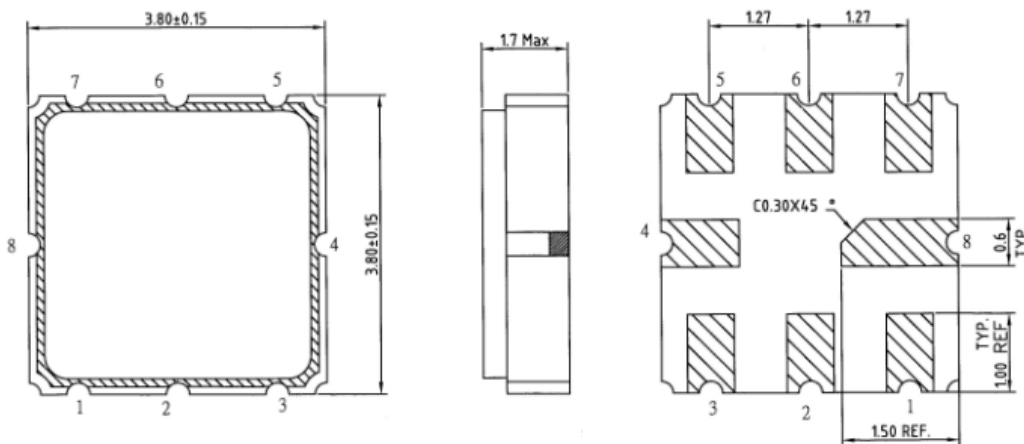
Model: TA0476A
Rev No: 1

D. MEASUREMENT CIRCUIT:

HP Network analyzer



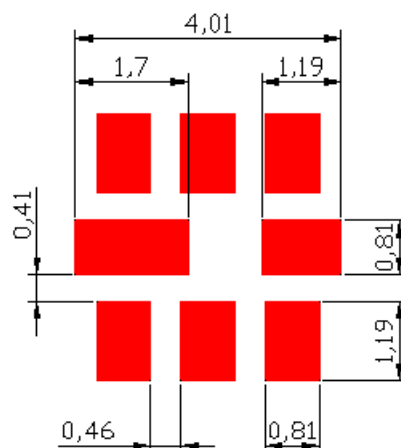
E. OUTLINE DRAWING:



Pin2: Input
 Pin6: Output
 Pin1,3,4,5,7,8 to be ground

Unit : mm

F. PCB FOOTPRINT:

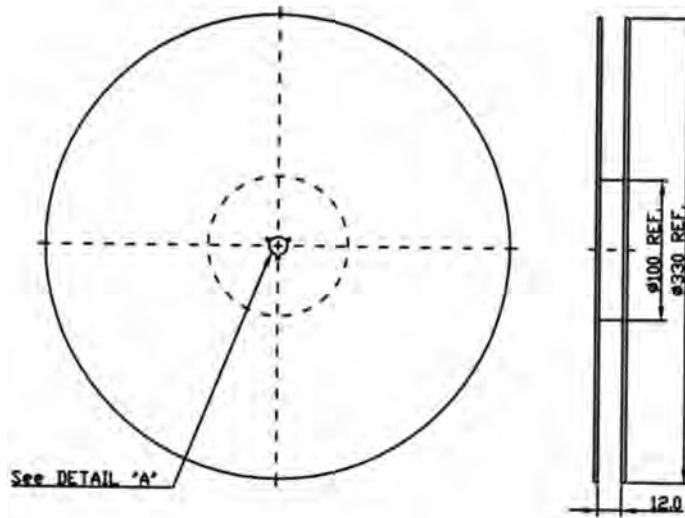


SAW Filter 467.5375MHz
Part No: MP03182

Model: TA0476A
Rev No: 1

G. PACKING:

1. REEL DIMENSION



2. TAPE DIMENSION

