

SAW Filter 60.0MHz
Part No: MP03220

Model: TB0635A
Rev No: 1

A. MAXIMUM RATING:

1. Storage Temperature: -40°C to 85°C
2. Operating Temperature: -40°C to 85°C
3. Maximum Input Power: 10dBm
4. Maximum DC Voltage: 10V

B. CHARACTERISTICS:

Ambient Temperature: 25°C

Item	Unit	Min.	Typ.	Max.
Center frequency Fc	MHz	-	60.0	-
Insertion Loss IL	dB	-	10.5	14.0
1dB Bandwidth	MHz	9.6	10.9	-
3dB Bandwidth	MHz	-	11.6	-
25dB Bandwidth	MHz	-	13.8	16.0
40dB Bandwidth	MHz	-	14.7	18.0
Pass band Ripple Fc ± 4.8MHz	P-P dB	-	0.5	1.2
VSWR Fc ± 4.8MHz	P-P dB	-	4.0	5.0
Group delay Variation Fc ± 4.8MHz	P-P nsec	-	40	150
Triple Transit Suppression	dB	40	45	-
Power Handling	dBm	10	-	-
Temp Coefficient	ppm/K	-	-94	-

SAW Filter 60.0MHz
Part No: MP03220

Model: TB0635A
Rev No: 1

C. FREQUENCY CHARACTERISTICS:

1. S21 Response

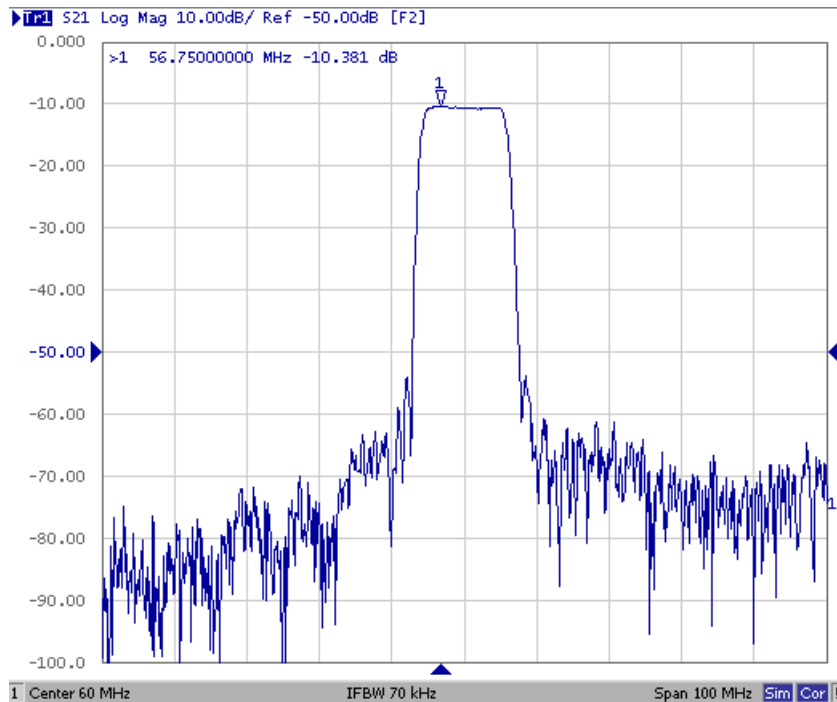


Fig. 1. Horizontal: 10MHz/Div, Vertical: 10dB/Div

2. Passband Ripple & Group delay variation

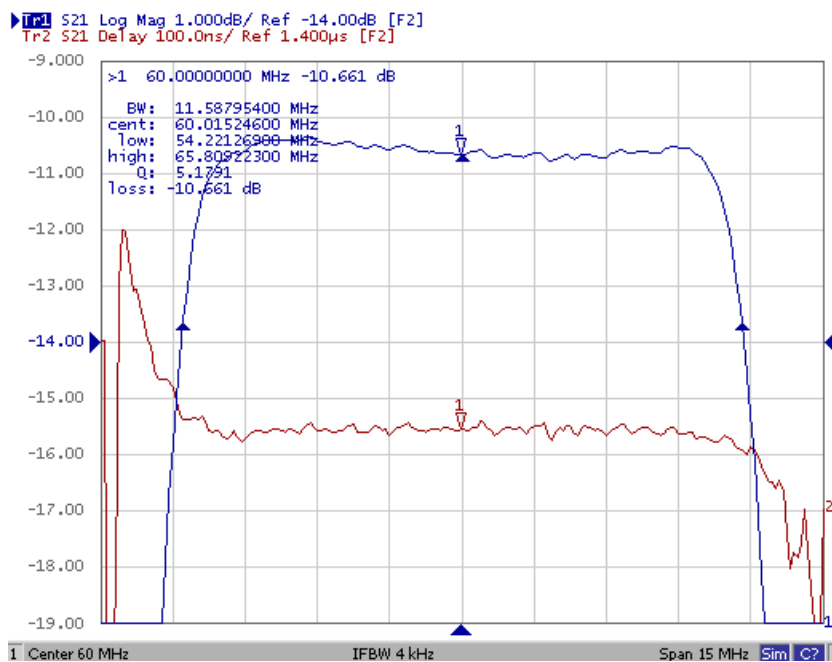


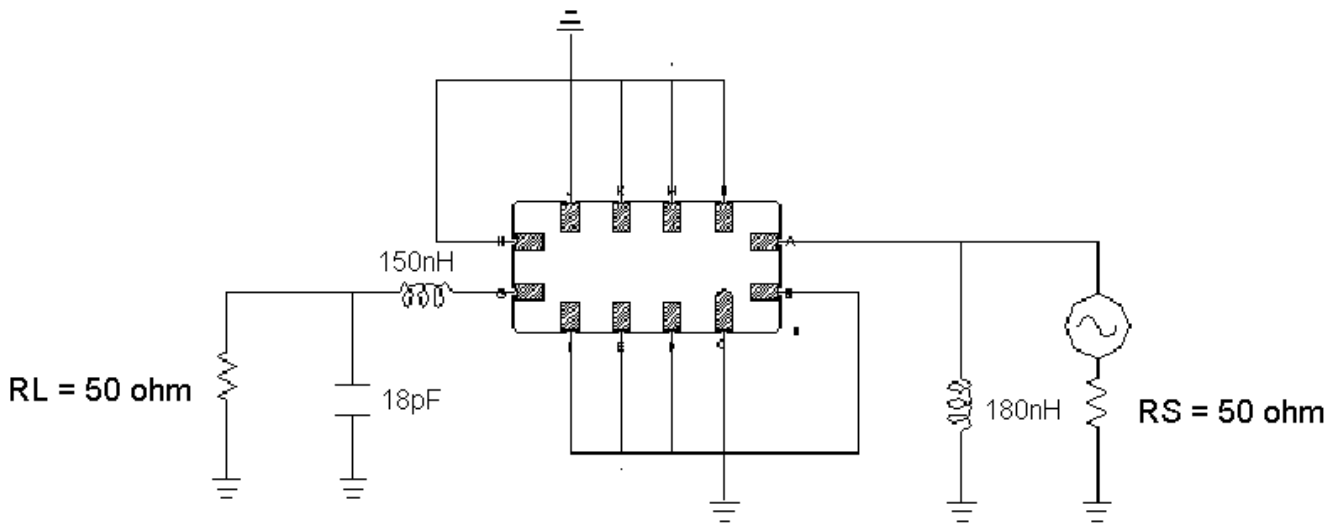
Fig. 2. Horizontal: 1.5MHz/Div, Vertical: 1dB/Div, Vertical: 100ns/Div

SAW Filter 60.0MHz
Part No: MP03220

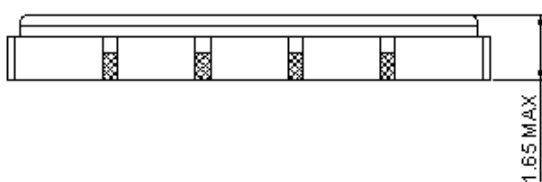
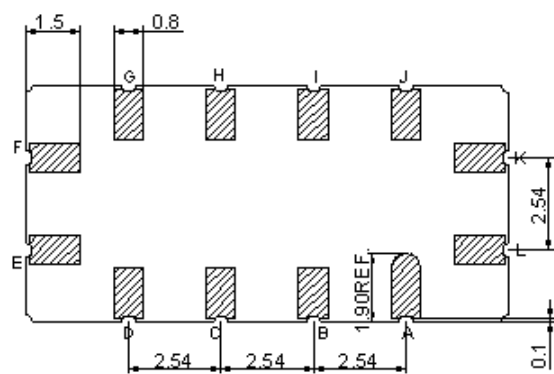
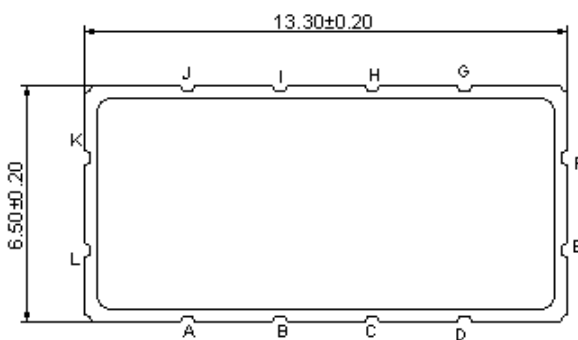
Model: TB0635A
Rev No: 1

D. MEASUREMENT CIRCUIT:

Single ended input 50Ω to Single ended Output 50Ω



E. OUTLINE DRAWING:

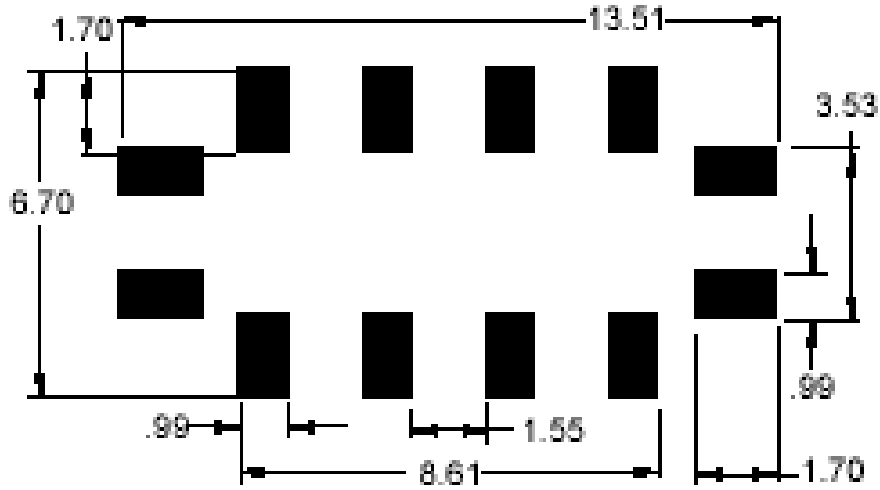


K: RF Input
 E: RF Output
 A, B, C, D, F, G, H, I, J, L: Ground
 Unit: mm

SAW Filter 60.0MHz
Part No: MP03220

Model: TB0635A
Rev No: 1

F. PCB FOOTPRINT:

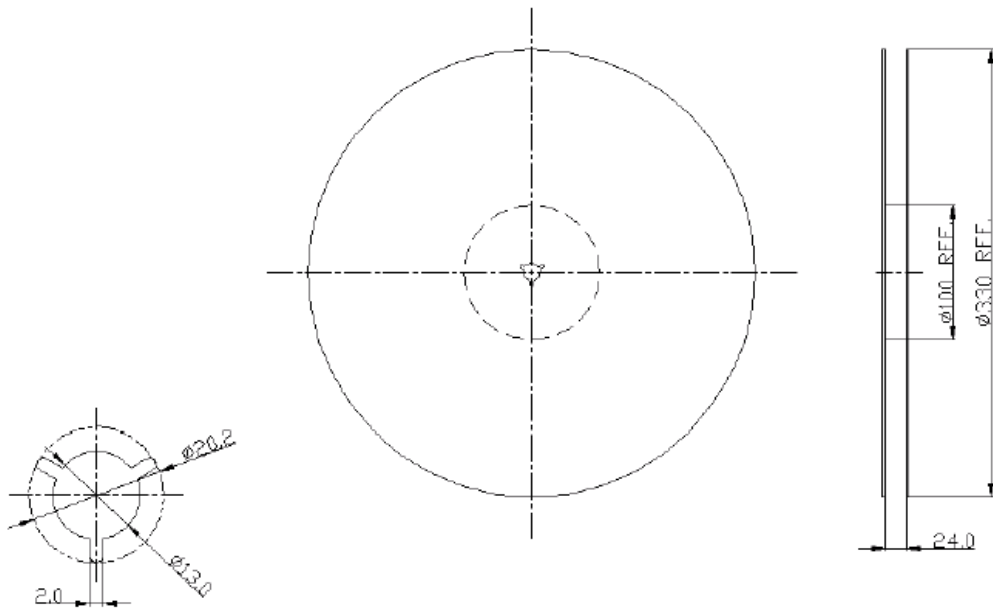


SAW Filter 60.0MHz
Part No: MP03220

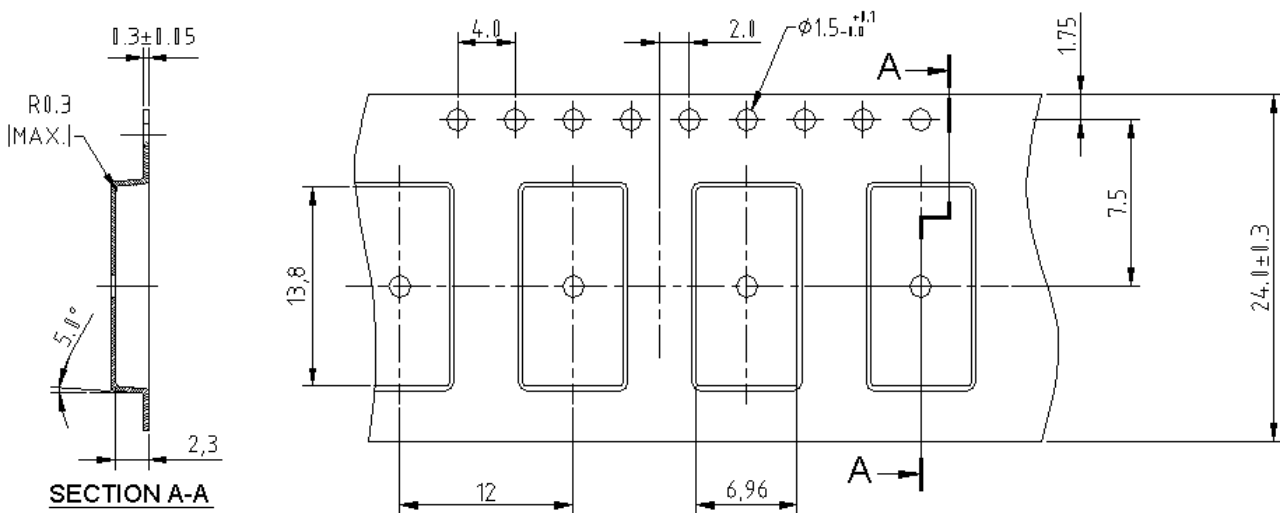
Model: TB0635A
Rev No: 1

G. PACKING:

1. REEL DIMENSION



2. TAPE DIMENSION



SAW Filter 60.0MHz
Part No: MP03220

Model: TB0635A
Rev No: 1

H. RECOMMENDED REFLOW PROFILE:

