

**SAW Filter 950.0MHz**  
**Part No: MP03240**

**Model: TB0661A**  
**Rev No: 1**

**A. MAXIMUM RATING:**

1. Storage Temperature: -40°C to 85°C
2. Operating Temperature: -40°C to 85°C
3. Maximum Input Power: 10dBm
4. Maximum DC Voltage: 10V

**B. CHARACTERISTICS:**

Item	Unit	Min.	Typ.	Max.
Center frequency Fc	MHz	-	950	-
Insertion Loss IL	dB	-	15.3	17.0
1dB Bandwidth	MHz	150	157	160
Rejection				
1 ~ 760 MHz	dB	32	38	-
1040 ~ 2000MHz	dB	32	36	-
Passband Ripple Fc ± 60MHz	dB	-	0.4	1.0
Group delay ripple Fc ± 60MHz	nsec	-	7	-
Temperature Coefficient	ppm/°C	-	-96	-
Source Impedance	Ω	-	50	-
Load Impedance	Ω	-	50	-

**SAW Filter 950.0MHz**  
**Part No: MP03240**

**Model: TB0661A**  
**Rev No: 1**

**C. FREQUENCY CHARACTERISTICS:**

1. Narrow band Response: (span 1000MHz)

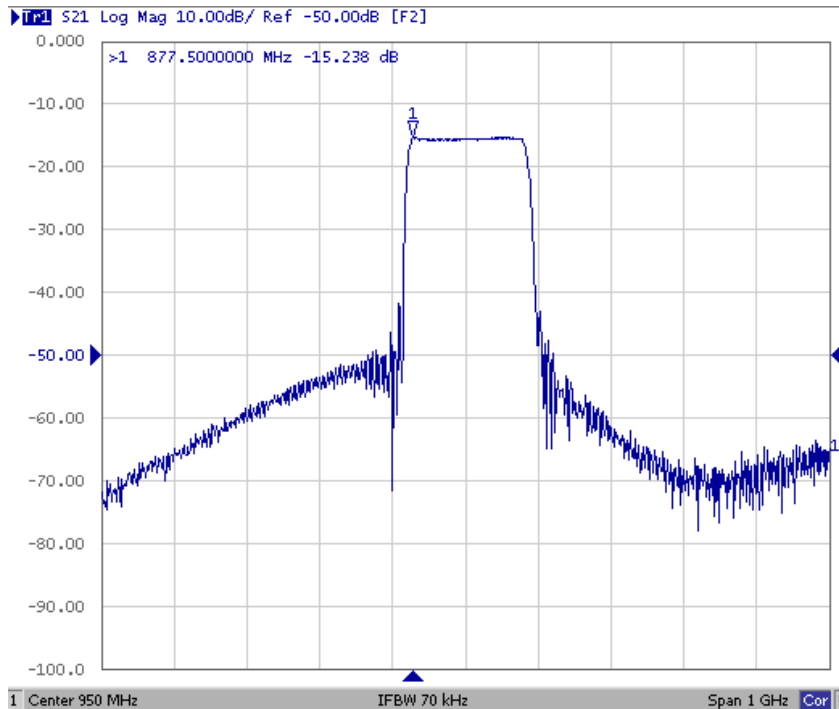


Fig. 1. Horizontal: 100MHz/Div, Vertical: 10dB/Div

2. Pass band Response and Group Time Delay response:

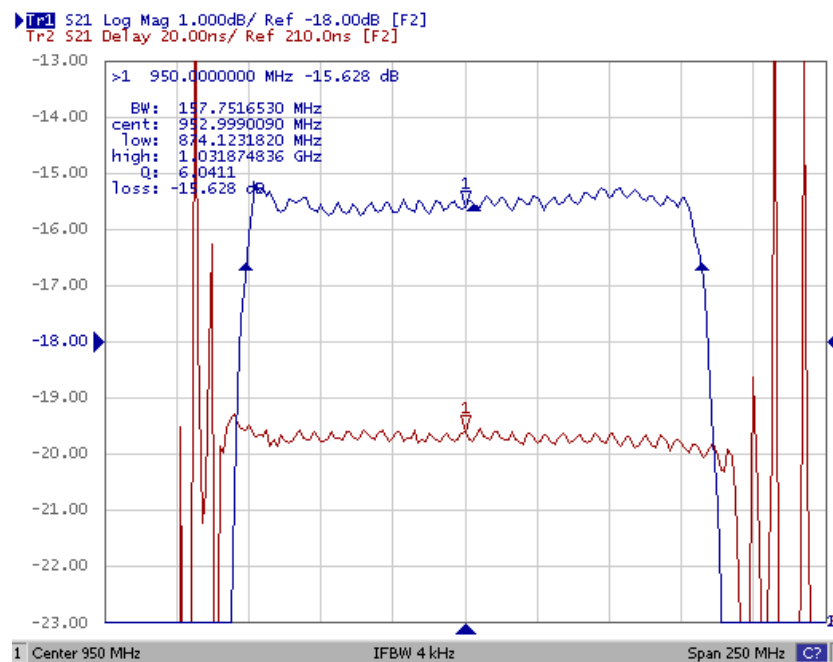
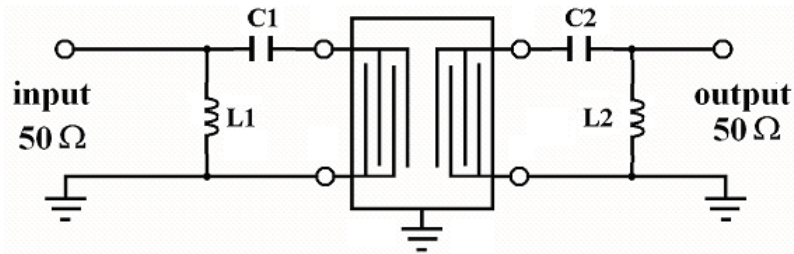


Fig. 2. Horizontal: 25MHz/Div, Vertical: 1dB/Div, Vertical: 20nS/Div

**SAW Filter 950.0MHz**  
**Part No: MP03240**

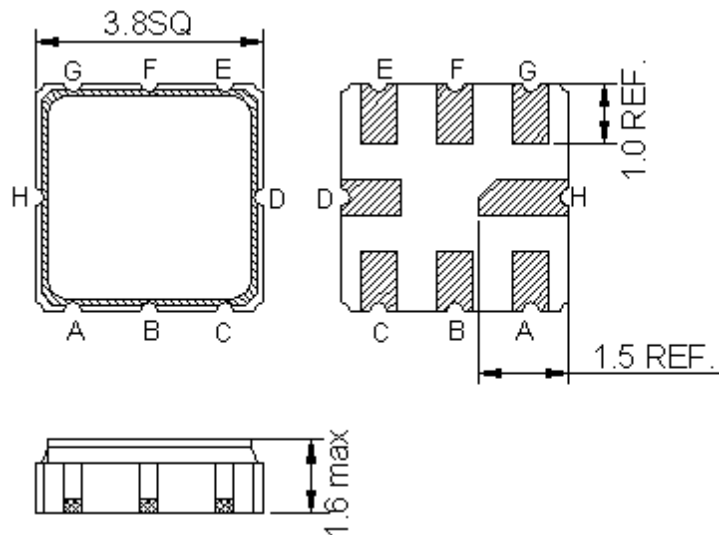
**Model: TB0661A**  
**Rev No: 1**

**D. MEASUREMENT CIRCUIT:**



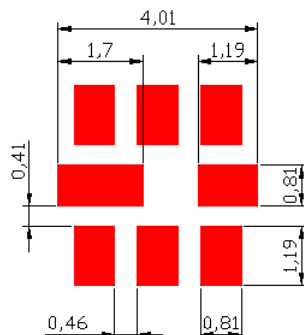
$L1 = L2 = 5.6\text{nH}$ ,  $C1 = 8\text{pF}$ ,  $C2 = 18\text{pF}$

**E. OUTLINE DRAWING:**



B: RF input  
 F: RF output  
 A, C, D, E, G, H: To Be Ground

**F. PCB FOOTPRINT:**

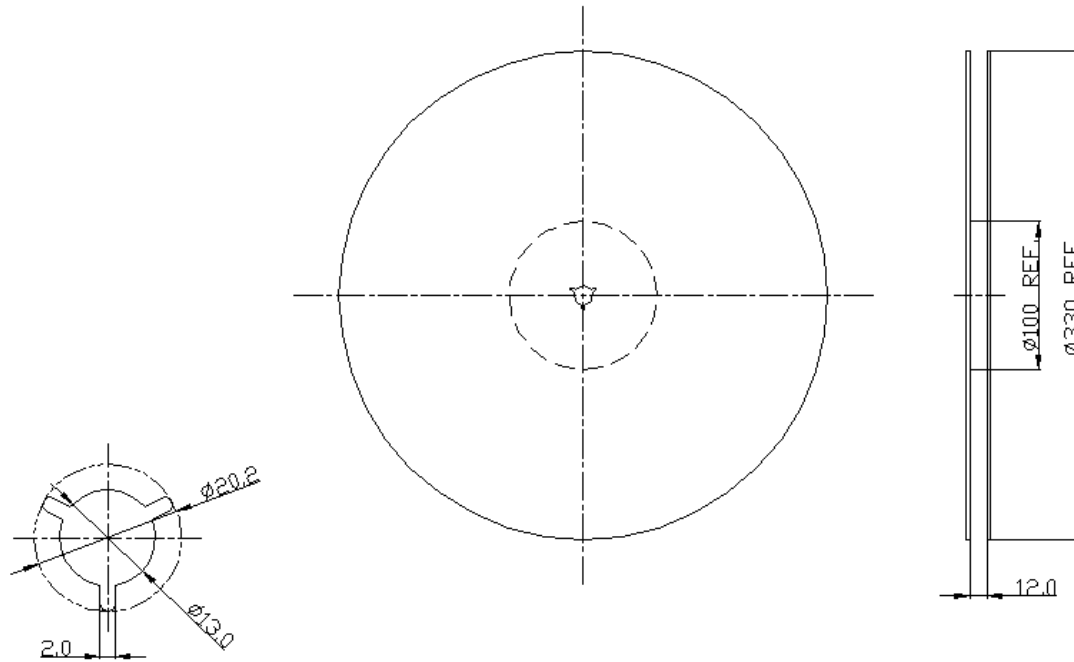


**SAW Filter 950.0MHz**  
**Part No: MP03240**

**Model: TB0661A**  
**Rev No: 1**

**G. PACKING:**

**1. REEL DIMENSION**



**2. TAPE DIMENSION**

