

SAW Filter 185.5MHz
Part No: MP03304

Model: TB0572A
Rev No: 1

A. MAXIMUM RATING:

1. Operating Temperature: -40°C to +85°C
2. Storage Temperature: -40°C to +85°C
3. Maximum Input Power: 10dBm

B. ELECTRICAL CHARACTERISTICS:

Ambient Temperature: 25°C

Item	Unit	Min.	Typ.	Max.
Center frequency Fc	MHz	-	185.5	-
Insertion loss at Fc	dB	-	9.0	11.0
Bandwidth at -1.0dB	MHz	20.0	22.0	-
Amplitude Ripple (Fc ± 9.5MHz)	dB	-	0.6	1.0
Group Delay Ripple (Fc ± 9.5MHz)	nS	-	50	-
Attenuation (Reference level from minimum Insertion loss)				
100MHz ~164.8MHz	dB	40	51	-
164.8MHz ~ 170.7MHz	dB	25	44	-
201.3MHz ~ 206.8MHz	dB	25	39	-
206.8MHz ~ 300MHz	dB	38	46	-
Temp Coefficient	ppm/°C	-	-93	-

SAW Filter 185.5MHz
Part No: MP03304

Model: TB0572A
Rev No: 1

C. FREQUENCY CHARACTERISTICS:

1. S21 Response

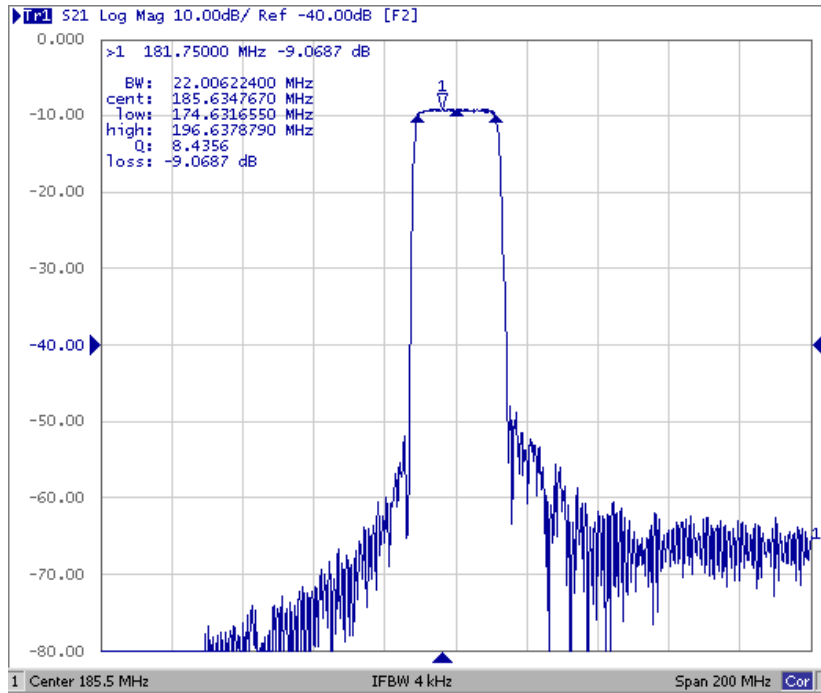


Fig1. Horizontal: 20MHz/Div; Vertical: 10dB/Div

2. Passband Ripple

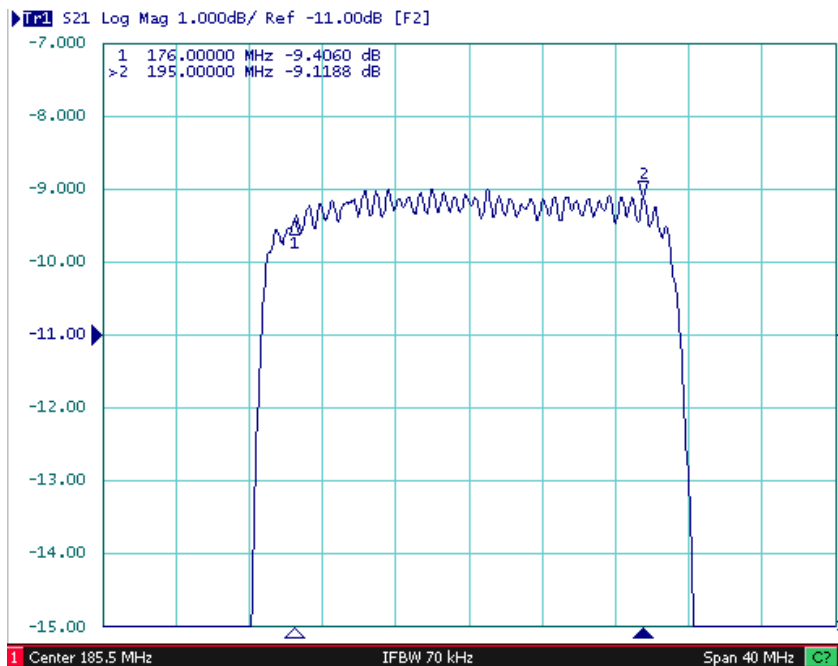


Fig2. Horizontal: 4MHz/Div; Vertical: 1dB/Div

SAW Filter 185.5MHz
Part No: MP03304

Model: TB0572A
Rev No: 1

3. Group Delay Ripple

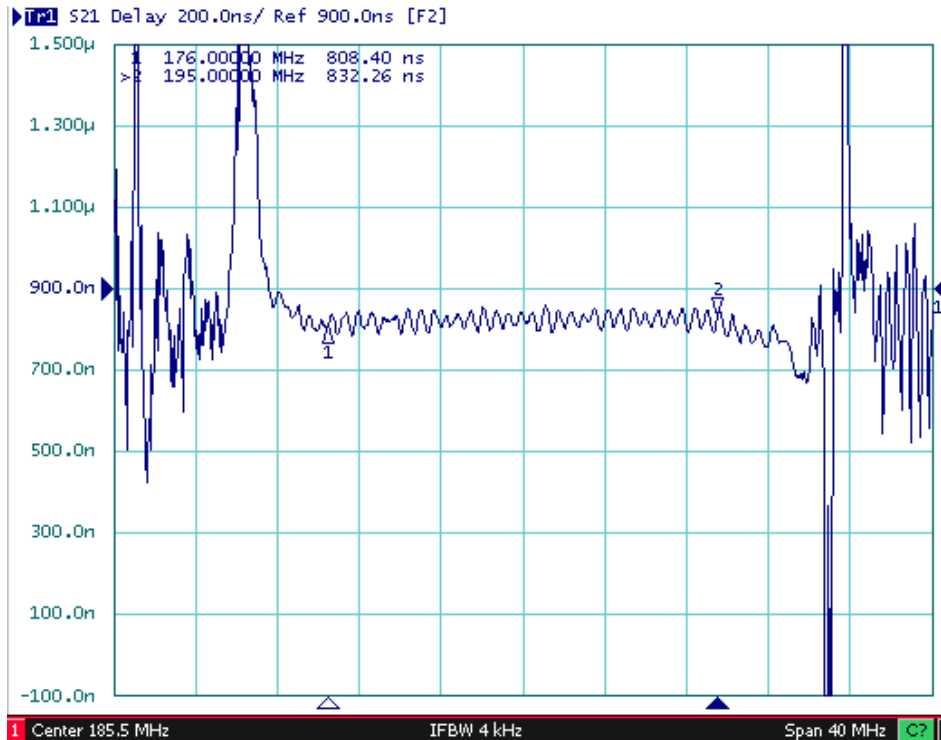
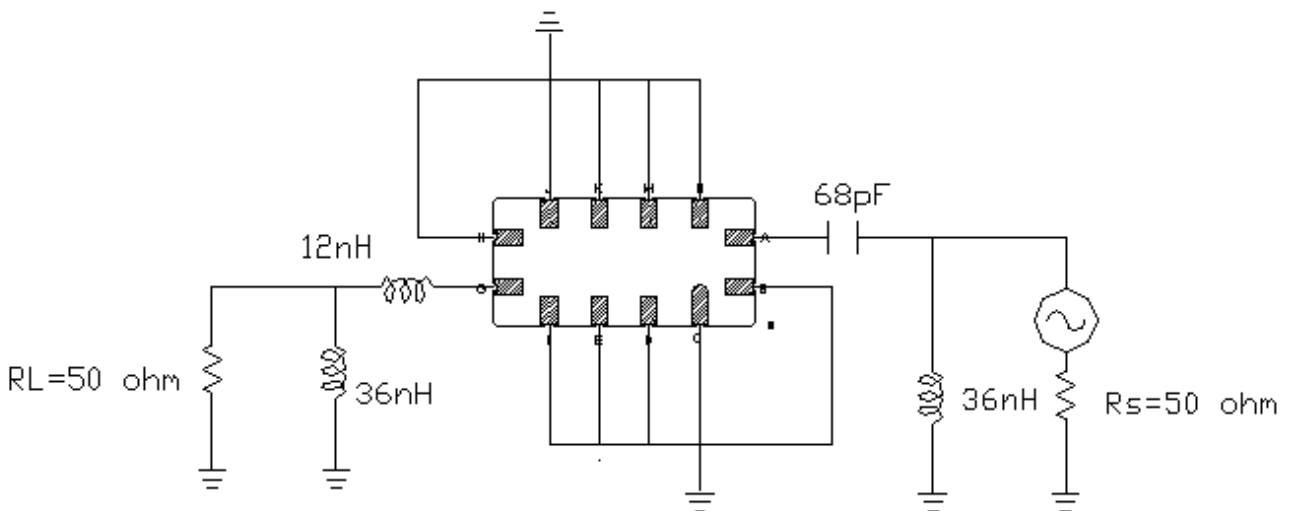


Fig3. Horizontal: 4MHz/Div; Vertical: 200nS/Div

D. MEASUREMENT CIRCUIT:

1. Single ended input 50Ω to Single ended Output 50Ω

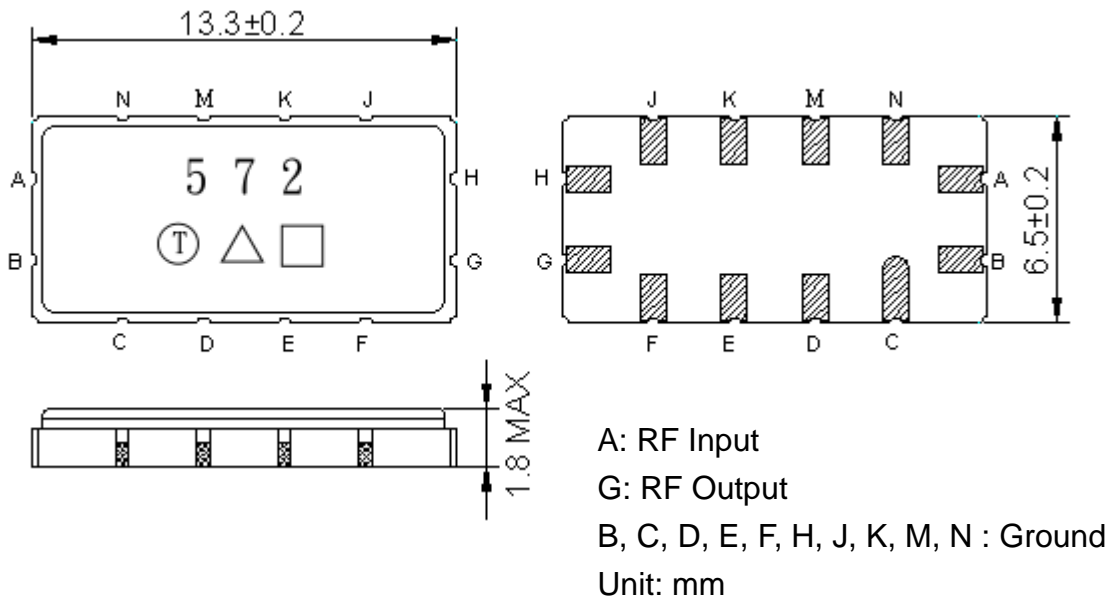


Note: The matching structure will change according to different test fixture.

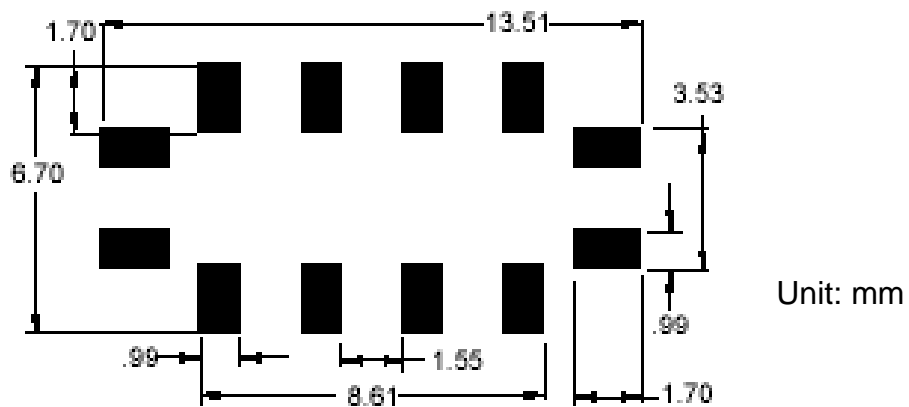
SAW Filter 185.5MHz
Part No: MP03304

Model: TB0572A
Rev No: 1

E. OUTLINE DRAWING:



F. PCB FOOTPRINT:

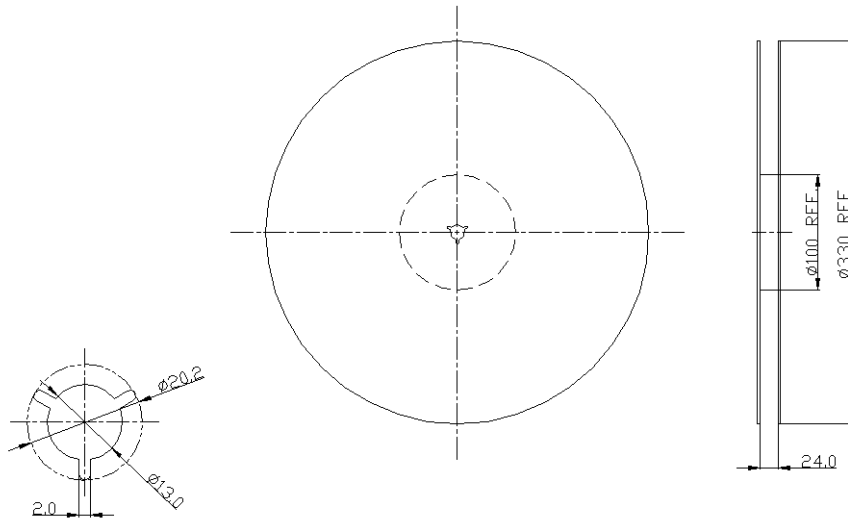


SAW Filter 185.5MHz
Part No: MP03304

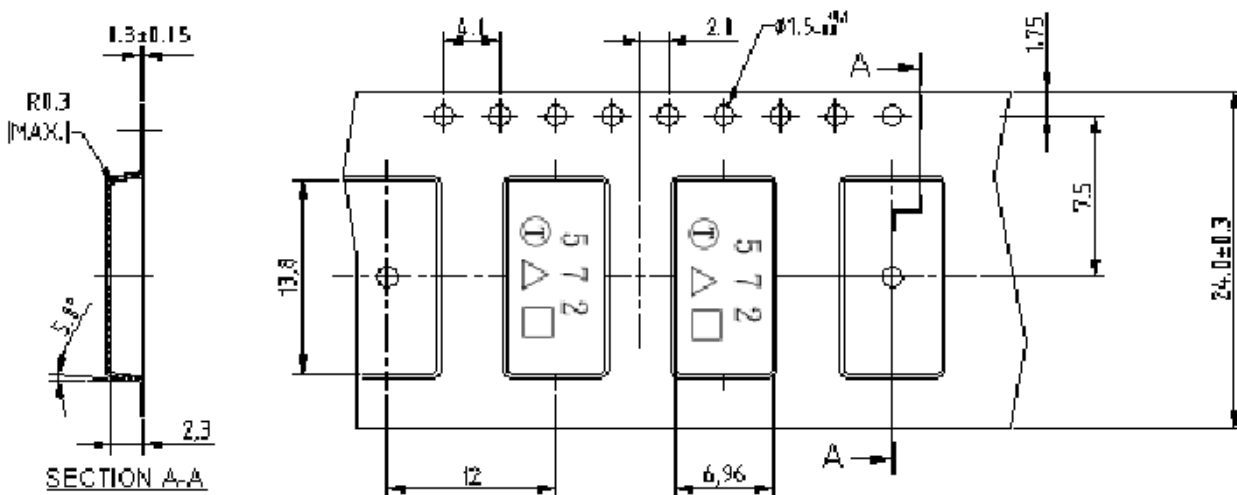
Model: TB0572A
Rev No: 1

G. PACKING:

1. REEL DIMENSION



2. TAPE DIMENSION



SAW Filter 185.5MHz
Part No: MP03304

Model: TB0572A
Rev No: 1

H. RECOMMENDED REFLOW PROFILE:

