

**SAW Filter 446.0MHz**  
**Part No: MP03334**

**Model: TA1120A**  
**Rev No: 2**

**A. MAXIMUM RATING:**

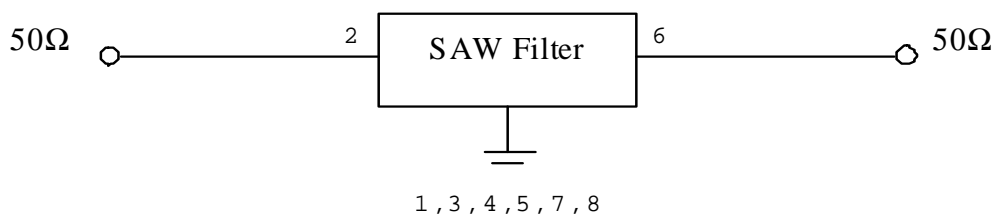
1. Input Power Level: 10dBm
2. DC Voltage: 5V
3. Operating Temperature: -30°C to +60°C
4. Storage Temperature: -40°C to +85°C

**B. ELECTRICAL CHARACTERISTICS:**

Item	Unit	Min.	Typ.	Max.
Center frequency Fc	MHz	-	446	-
Insertion loss (436 ~ 456MHz) IL	dB	-	3.2	4.2
Amplitude Ripple (436 ~ 456MHz)	dB	-	1.1	2.4
Return loss (436 ~ 456MHz)	dB	7	11	-
Attenuation (Reference level from 0dB)				
0.3 ~ 300MHz	dB	30	51	-
300 ~ 380MHz	dB	24	51	-
380 ~ 416MHz	dB	15	45	-
490.825 ~ 524.825MHz	dB	12	27	-
559.65 ~ 579.65MHz	dB	28	51	-
669.3 ~ 689.3MHz	dB	24	49	-
689.3 ~ 1000MHz	dB	26	45	-
Temperature Coefficient of Frequency	ppm/°C	-	-36	-

**C. MEASUREMENT CIRCUIT:**

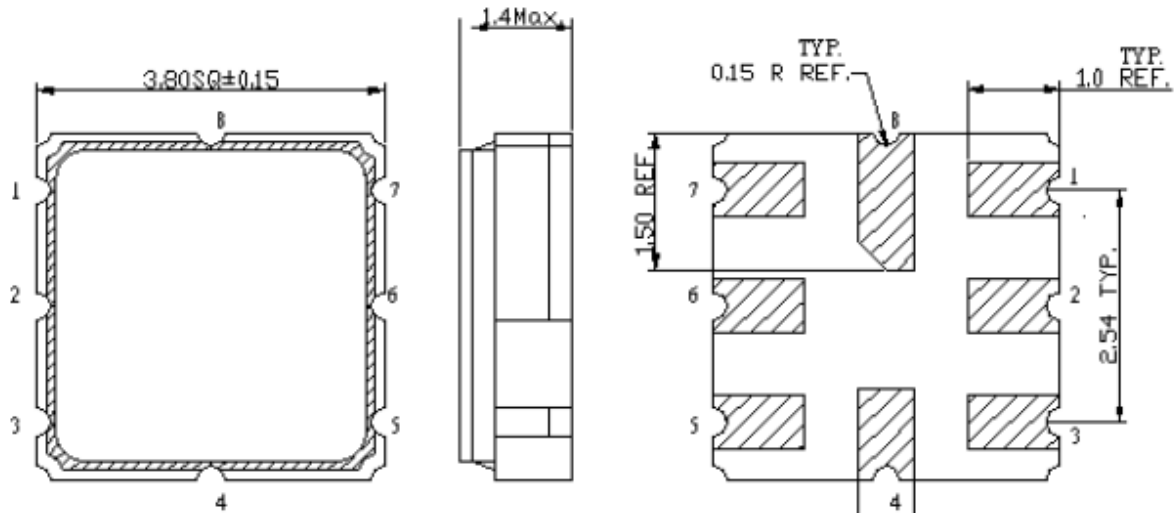
HP Network analyzer



**SAW Filter 446.0MHz**  
**Part No: MP03334**

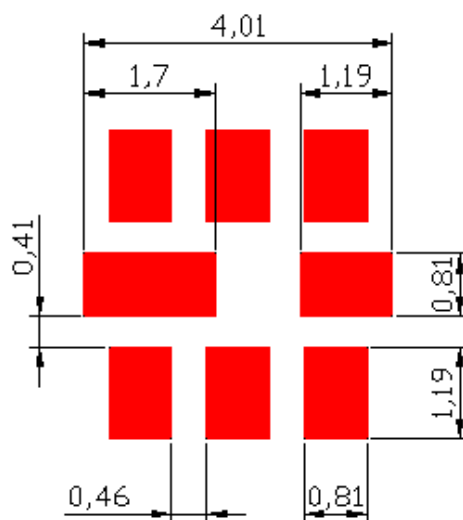
**Model: TA1120A**  
**Rev No: 2**

**D. OUTLINE DRAWING:**



2 : Input  
 6: Output  
 1,3,4,5,7,8: Ground

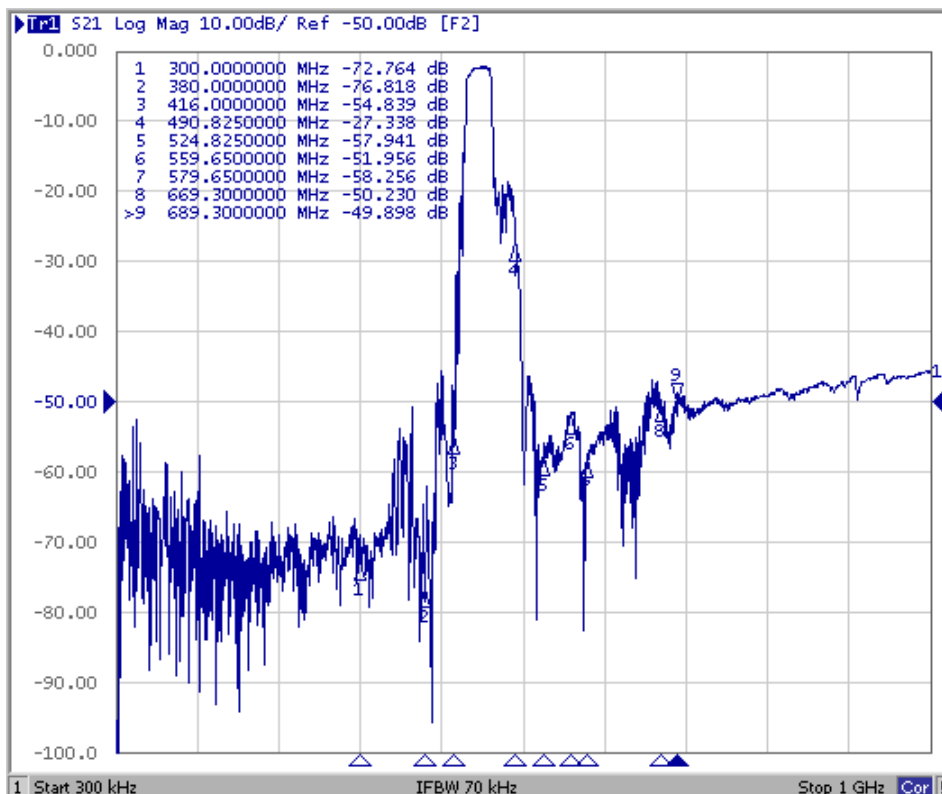
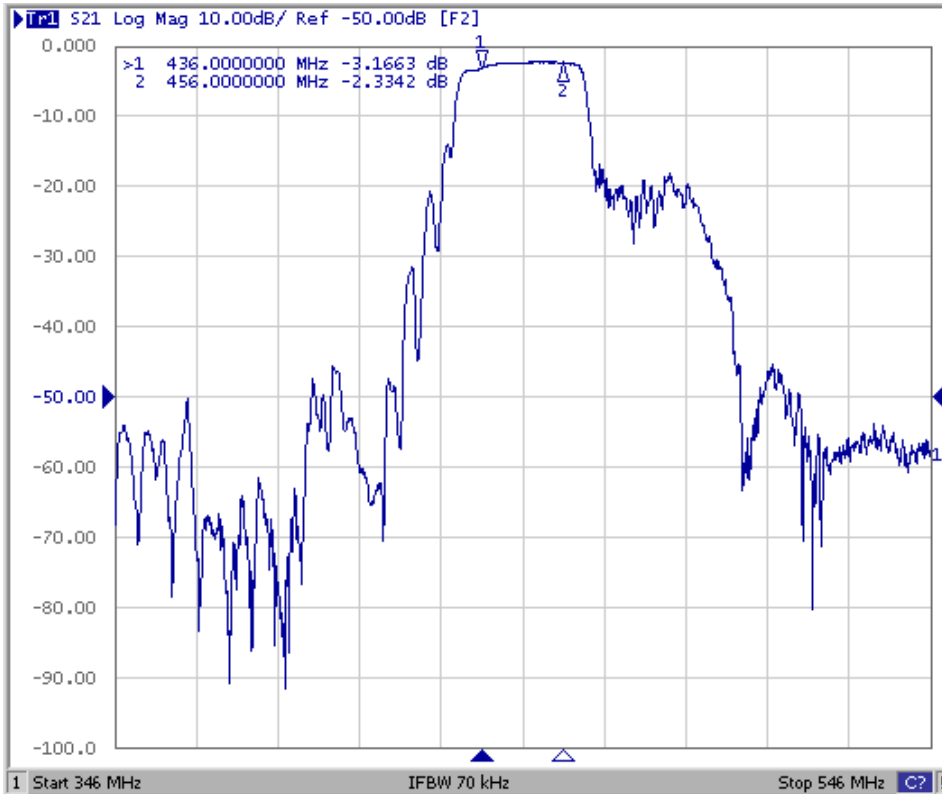
**E. PCB FOOTPRINT:**



**SAW Filter 446.0MHz**  
**Part No: MP03334**

**Model: TA1120A**  
**Rev No: 2**

**F. FREQUENCY CHARACTERISTICS:**

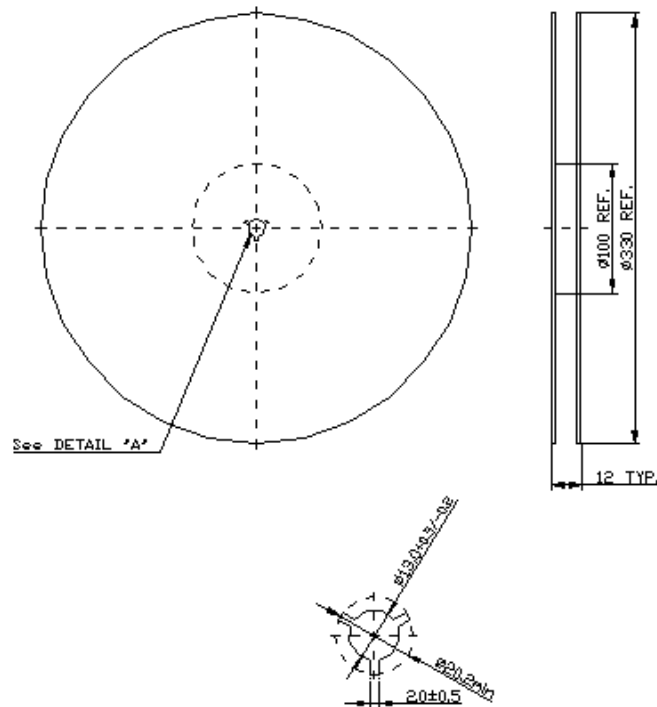


**SAW Filter 446.0MHz**  
**Part No: MP03334**

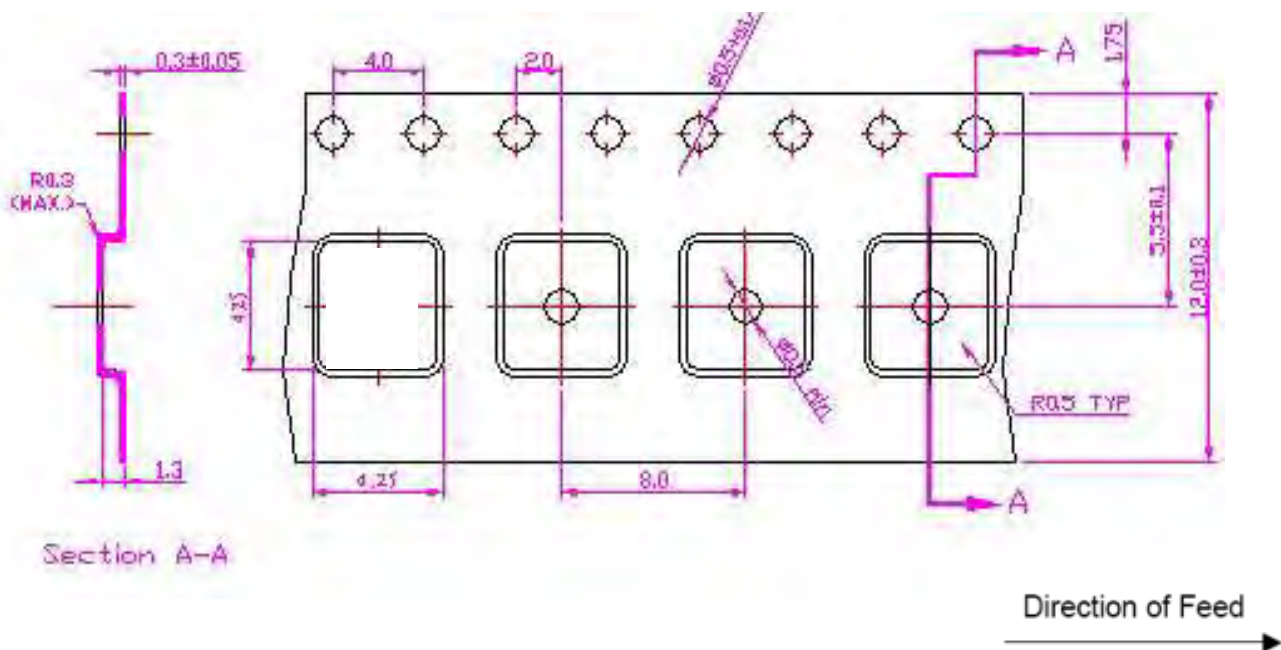
**Model: TA1120A**  
**Rev No: 2**

**G. PACKING:**

**1. REEL DIMENSION**



**2. TAPE DIMENSION**



**SAW Filter 446.0MHz**  
**Part No: MP03334**

**Model: TA1120A**  
**Rev No: 2**

**H. RECOMMENDED REFLOW PROFILE:**

