

**SAW Filter 96.0MHz**  
**Part No: MP03431**

**Model: TB0479A**  
**Rev No: 2**

**A. MAXIMUM RATING:**

1. Operating Temperature: -30°C to 85°C
2. Storage Temperature: -40°C to 85°C

**B. CHARACTERISTICS:**

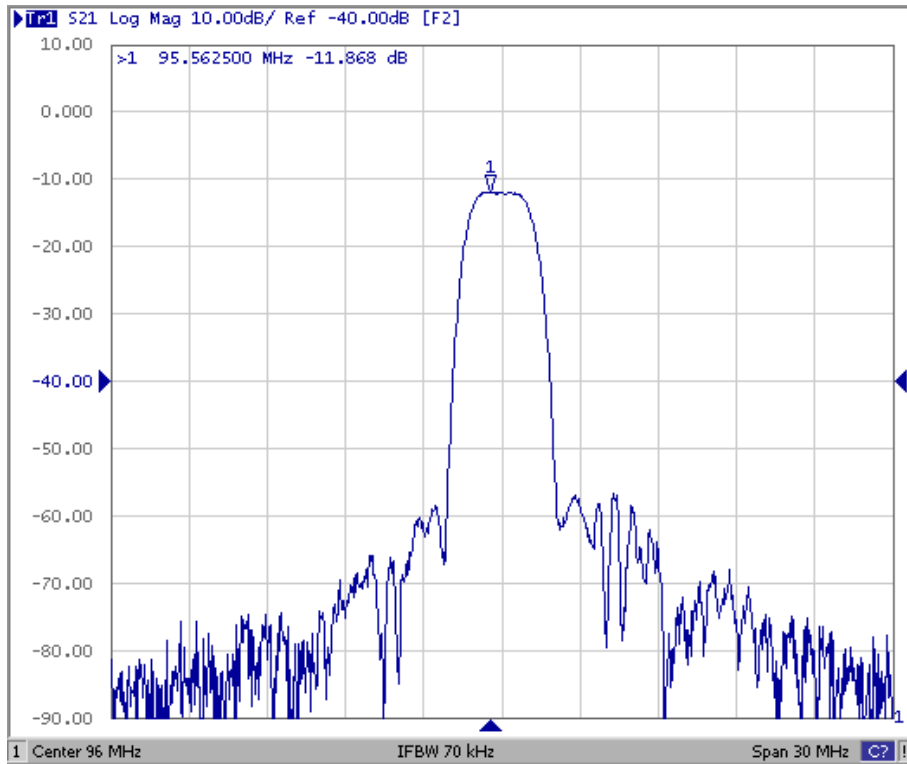
Item	Unit	Min.	Typ.	Max.
Center frequency Fc	MHz	-	96	-
Insertion Loss IL	dB	-	11.8	15
1dB Bandwidth	MHz	1.56	1.80	-
Relative attenuation				
91MHz - 94.5MHz		6	9.5	-
97.5MHz - 98.5MHz		6	11.5	-
10MHz - 60MHz	dB	55	72	-
76.8MHz		55	72	-
132MHz - 135MHz		55	74	-
135MHz - 1000MHz		35	58	-
Passband Ripple				
95.2MHz - 96.8MHz	dB, p-p	-	0.9	1.2
Group Delay Ripple				
95.2MHz - 96.8MHz	nsec	-	62	120

**SAW Filter 96.0MHz**  
**Part No: MP03431**

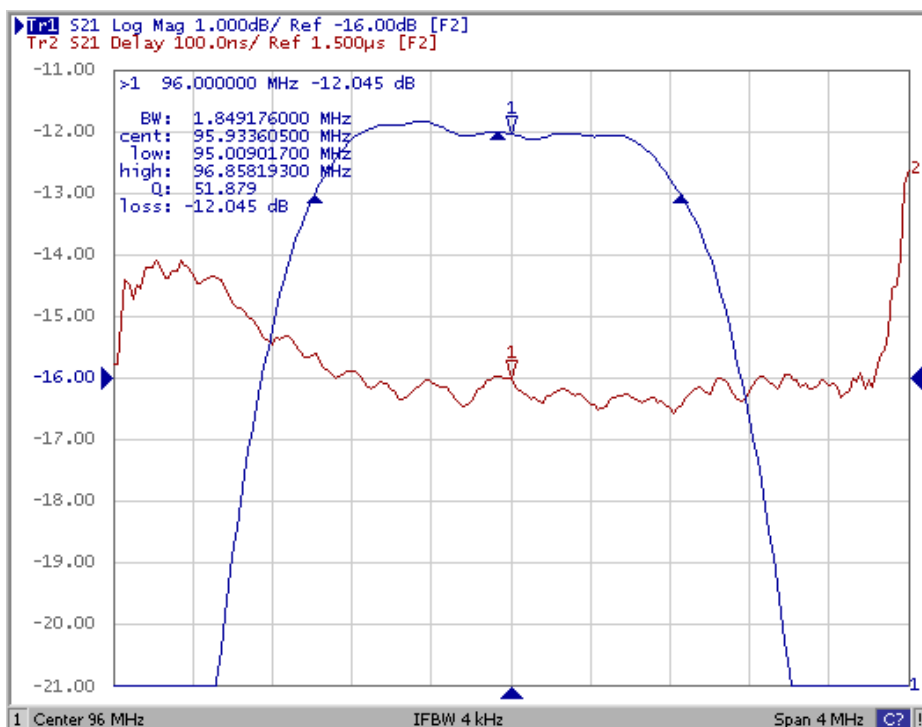
**Model: TB0479A**  
**Rev No: 2**

**C. FREQUENCY CHARACTERISTICS:**

1. wide band Response: (span 30MHz)



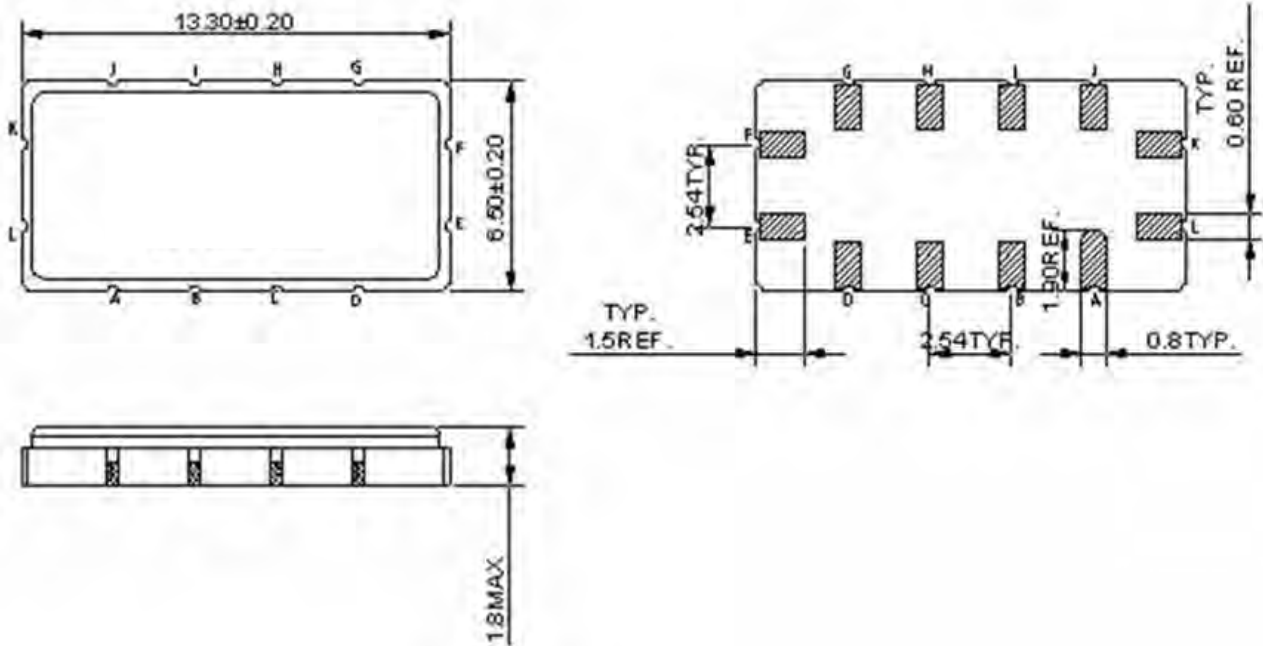
2. Pass band Response: (span 4MHz)



**SAW Filter 96.0MHz**  
**Part No: MP03431**

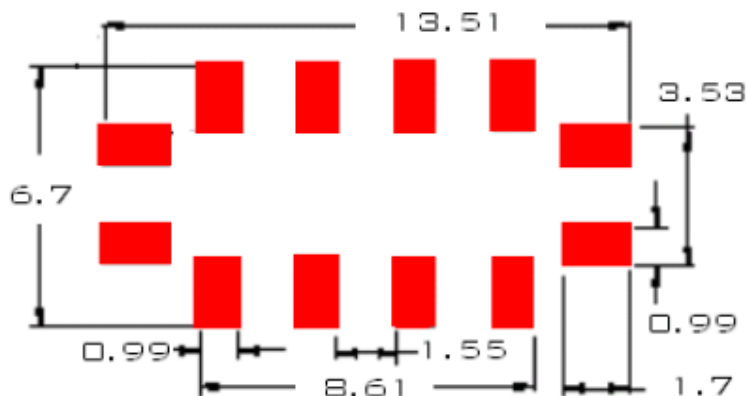
**Model: TB0479A**  
**Rev No: 2**

**D. OUTLINE DRAWING:**



- K: RF input +
  - L: RF input -
  - E: RF output +
  - F: RF output -
  - A, B, C, D, G, H, I, J: To be Ground
- Unit: mm

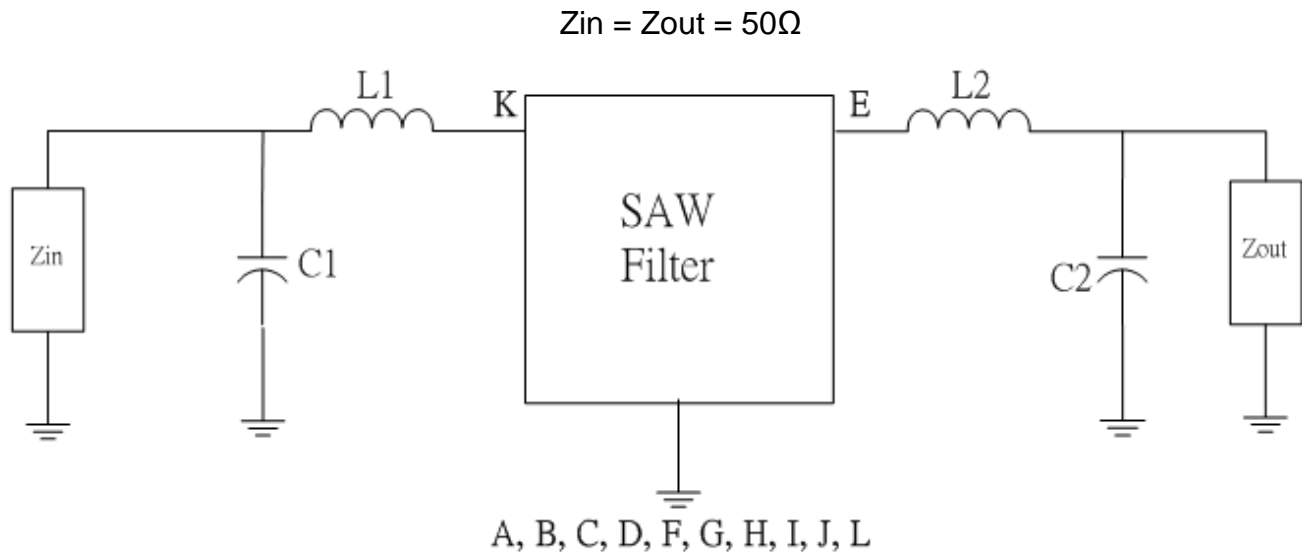
**E. PCB FOOTPRINT:**



**SAW Filter 96.0MHz**  
**Part No: MP03431**

**Model: TB0479A**  
**Rev No: 2**

**F. MATCHING CIRCUIT:**



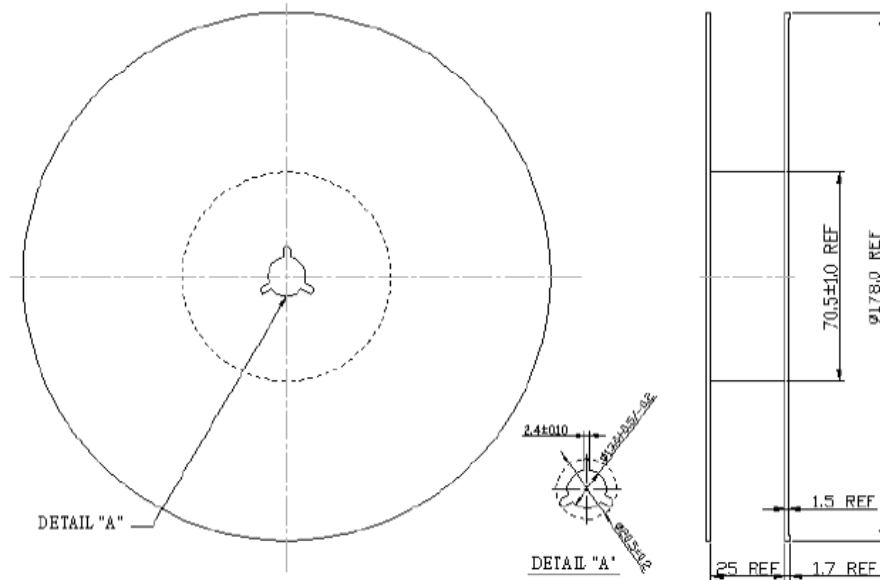
$L1=306\text{nH}, C1=39\text{pF}; L2=317\text{nH}, C2=56\text{pF}$

**SAW Filter 96.0MHz**  
**Part No: MP03431**

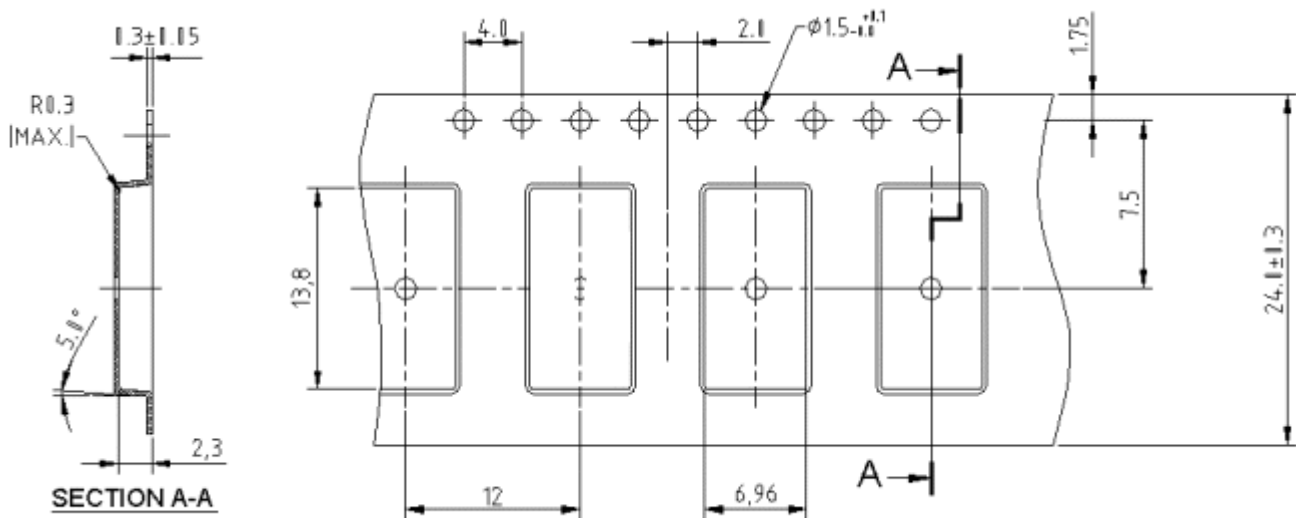
**Model: TB0479A**  
**Rev No: 2**

**G. PACKING:**

**1. REEL DIMENSION**



**2. TAPE DIMENSION**



**SAW Filter 96.0MHz**  
**Part No: MP03431**

**Model: TB0479A**  
**Rev No: 2**

**H. RECOMMENDED REFLOW PROFILE:**

