

**SAW Resonator 433.420MHz**  
**Part No: MP03467**

**Model: TC0194A**  
**Rev No: 1**

**A. FEATURES:**

1 - Port Resonator

**B. MAXIMUM RATING:**

1. Input Power Level: 0dBm
2. DC voltage: 12V
3. Operating Temperature: -40°C to +85°C
4. Storage Temperature: -40°C to +85°C

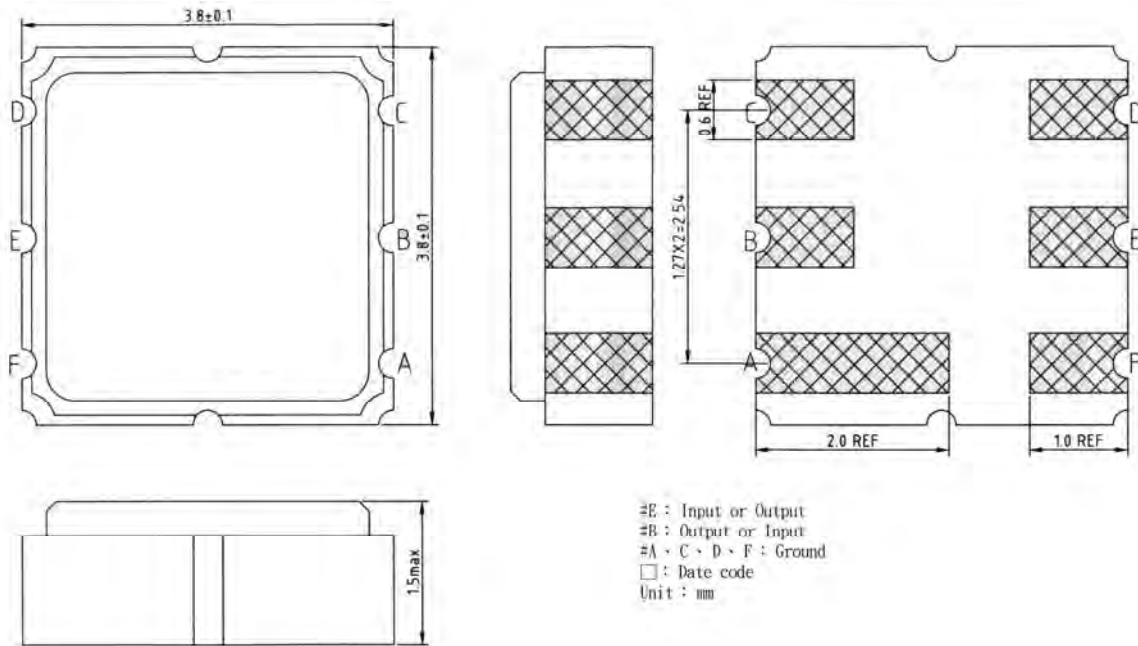
**C. ELECTRICAL CHARACTERISTICS:**

Characteristic	Unit	Min.	Typ.	Max.
Center frequency Fc	MHz	433.345	433.420	433.495
Insertion Loss IL	dB	-	1.7	2.5
Equivalent Elements				
Motional capacitance C1	fF	-	3.18	-
Motional inductance L1	μH	-	101.56	-
Motional resistance R1	Ω	-	23.13	-
Parallel capacitance Co	pF	-	4.76	-
Temp.coeff.	ppm/c*2	-	0.032	-
Turnover To	°C	10	-	40
Package size	SMD 3.8 X 3.8 X 1.4mm			

**SAW Resonator 433.420MHz**  
**Part No: MP03467**

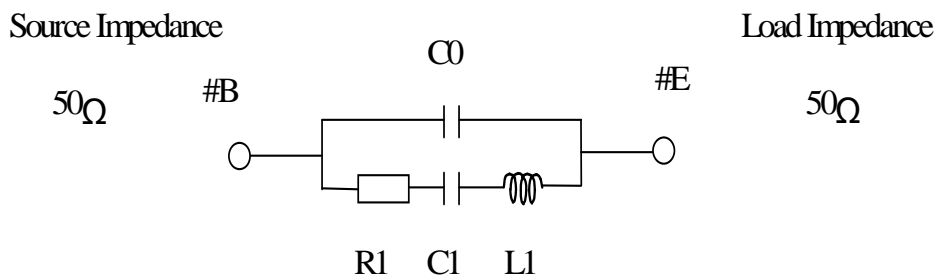
**Model: TC0194A**  
**Rev No: 1**

**D. OUTLINE DRAWING:**



**E. EQUIVALENT CIRCUIT:**

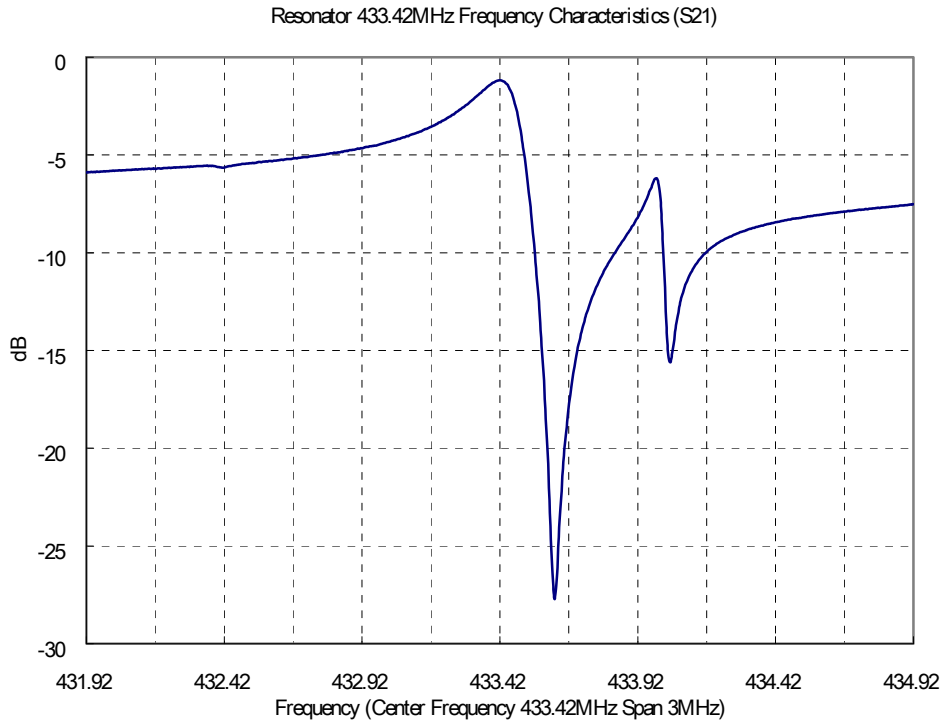
1 - Port Resonator



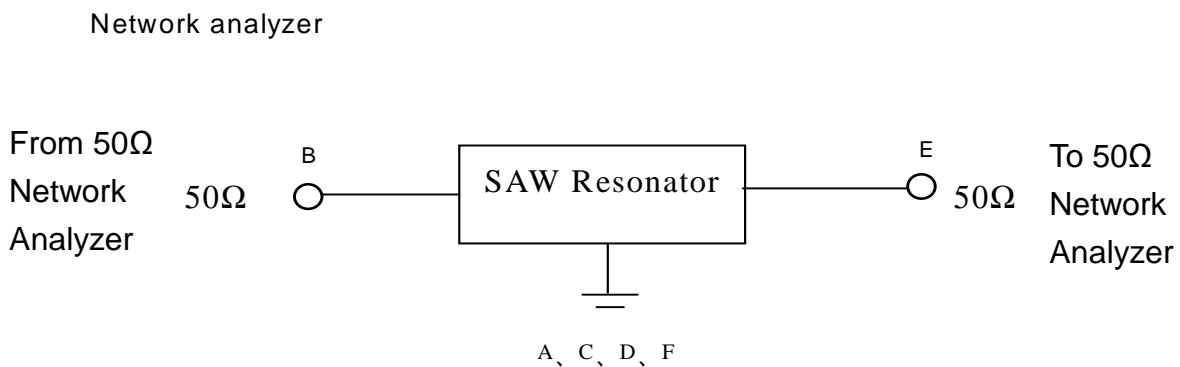
**SAW Resonator 433.420MHz**  
**Part No: MP03467**

**Model: TC0194A**  
**Rev No: 1**

**F. FREQUENCY CHARACTERISTICS:**



**G. TEST CIRCUIT:**

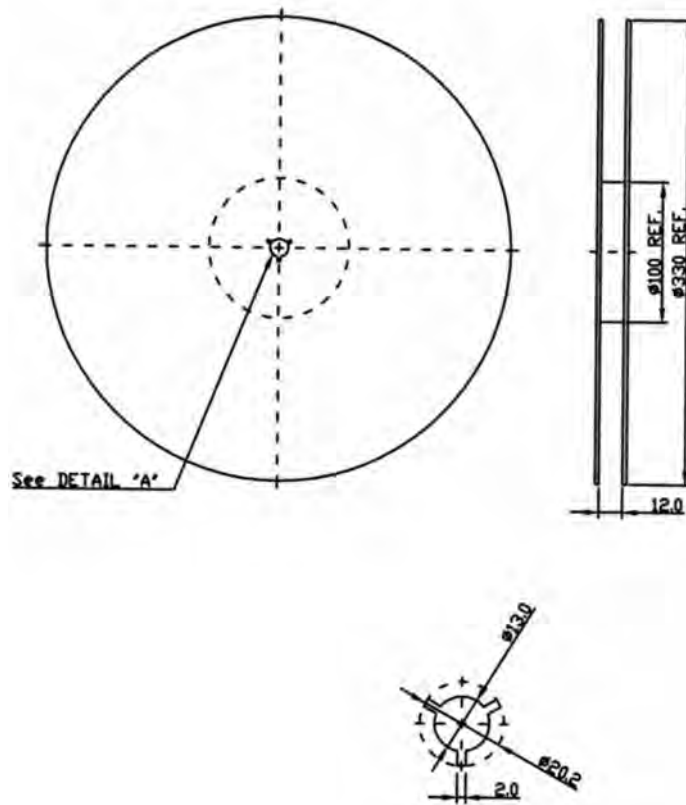


**SAW Resonator 433.420MHz**  
**Part No: MP03467**

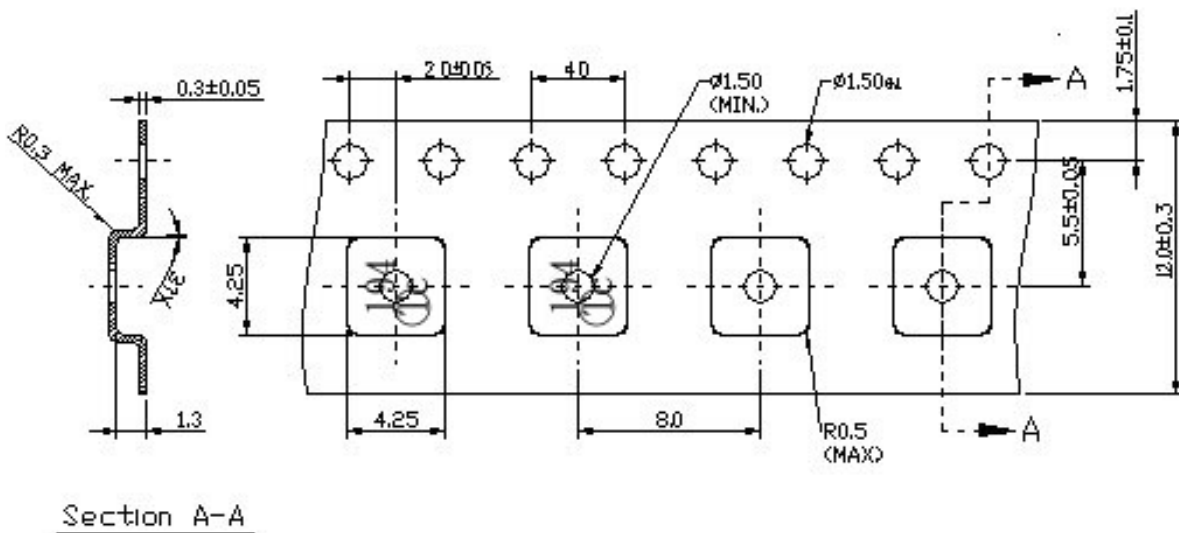
**Model: TC0194A**  
**Rev No: 1**

**H. PACKING:**

1. REEL DIMENSION



2. TAPE DIMENSION



Section A-A