

SAW Filter 1542.50MHz
Part No: MP03519

Model: TA0425B
Rev No: 1

A1. MAXIMUM RATING:

1. Input Power Level: 5dBm
2. DC Voltage: 5V
3. Operating Temperature: +25°C
4. Storage Temperature: -40°C to +85°C

B1. ELECTRICAL CHARACTERISTICS:

1. Singled to Balanced operation
2. Terminating source impedance: $Z_S = 50\Omega$
3. Terminating load impedance: $Z_L = 150\Omega // 33nH$

| Item | Unit | Min. | Typ. | Max. | Note |
|--|--------|------|--------|------|------|
| Center Frequency Fc | MHz | - | 1542.5 | - | - |
| Insertion Loss (1525 ~ 1560MHz) IL | dB | - | 3.1 | 4 | - |
| Amplitude Ripple (1525 ~ 1560MHz) | dB | - | 0.4 | 2 | - |
| Attenuation (Reference level from 0dB) | | | | | |
| DC ~ 1480MHz | dB | 21 | 44 | - | - |
| 1630 ~ 1660MHz | dB | 26 | 34 | - | - |
| 1660 ~ 2050MHz | dB | 30 | 35 | - | - |
| 2050 ~ 3500MHz | dB | 35 | 50 | - | - |
| Temperature Coefficient of Frequency | ppm/°C | - | -36 | - | - |

SAW Filter 1542.50MHz
Part No: MP03519

Model: TA0425B
Rev No: 1

A2. MAXIMUM RATING:

1. Input Power Level: 5dBm
2. DC Voltage: 5V
3. Operating Temperature: -40°C to +75°C
4. Storage Temperature: -40°C to +85°C

B2. ELECTRICAL CHARACTERISTICS:

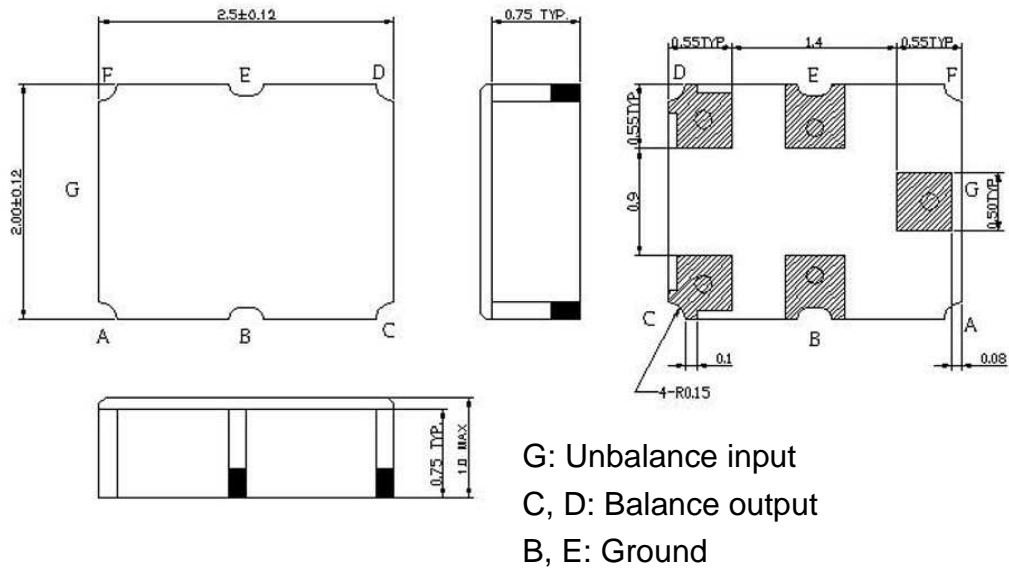
1. Singled to Balanced operation
2. Terminating source impedance: $Z_S = 50\Omega$
3. Terminating load impedance: $Z_L = 150\Omega // 33nH$

| Item | Unit | Min. | Typ. | Max. | Note |
|--|--------|------|--------|------|------|
| Center Frequency Fc | MHz | - | 1542.5 | - | - |
| Insertion Loss (1525 ~ 1560MHz) IL | dB | - | 3.1 | 4.2 | - |
| Amplitude Ripple (1525 ~ 1560MHz) | dB | - | 0.4 | 2 | - |
| Attenuation (Reference level from 0dB) | | | | | |
| DC ~ 1480MHz | dB | 21 | 44 | - | - |
| 1630 ~ 1660MHz | dB | 26 | 34 | - | - |
| 1660 ~ 2050MHz | dB | 30 | 35 | - | - |
| 2050 ~ 3500MHz | dB | 35 | 50 | - | - |
| Temperature Coefficient of Frequency | ppm/°C | - | -36 | - | - |

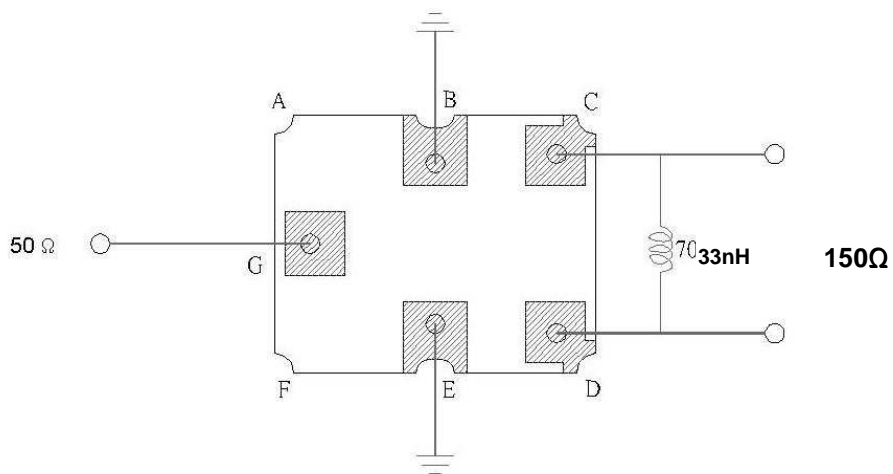
SAW Filter 1542.50MHz
Part No: MP03519

Model: TA0425B
Rev No: 1

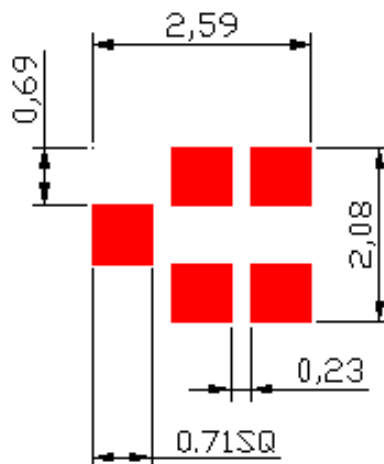
C. OUTLINE DRAWING:



D. MEASUREMENT CIRCUIT:



E. PCB FOOTPRINT:

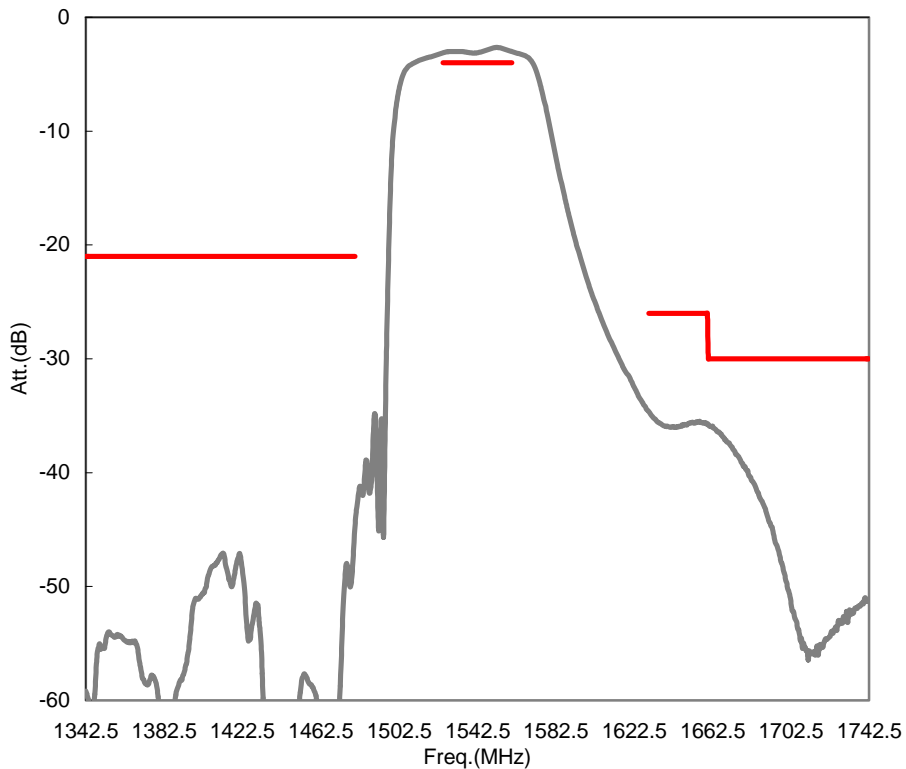
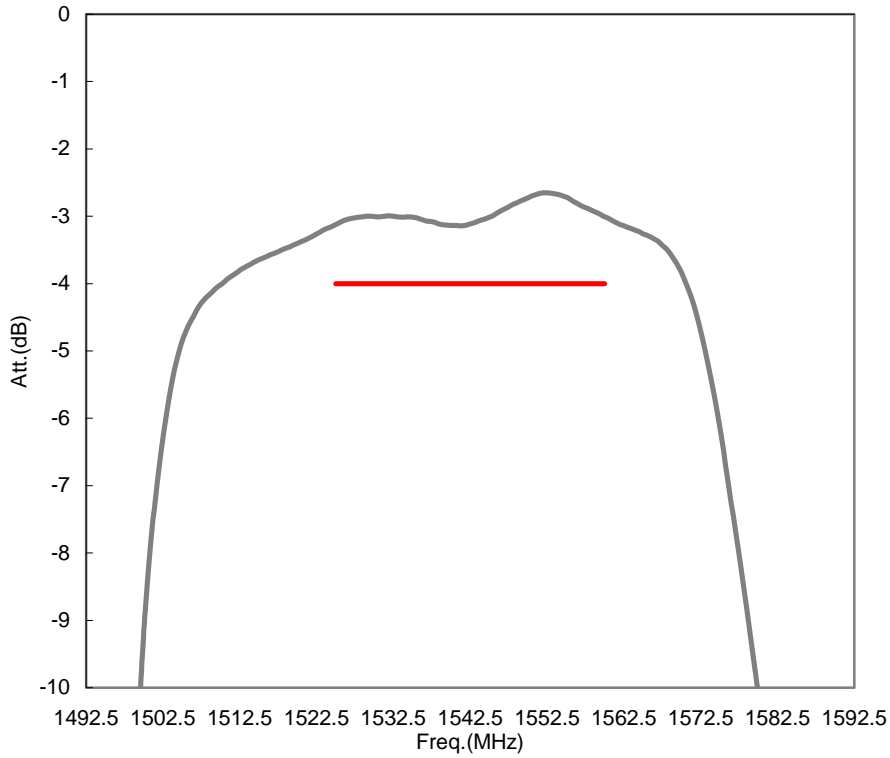


SAW Filter 1542.50MHz
Part No: MP03519

Model: TA0425B
Rev No: 1

F. FREQUENCY CHARACTERISTICS:

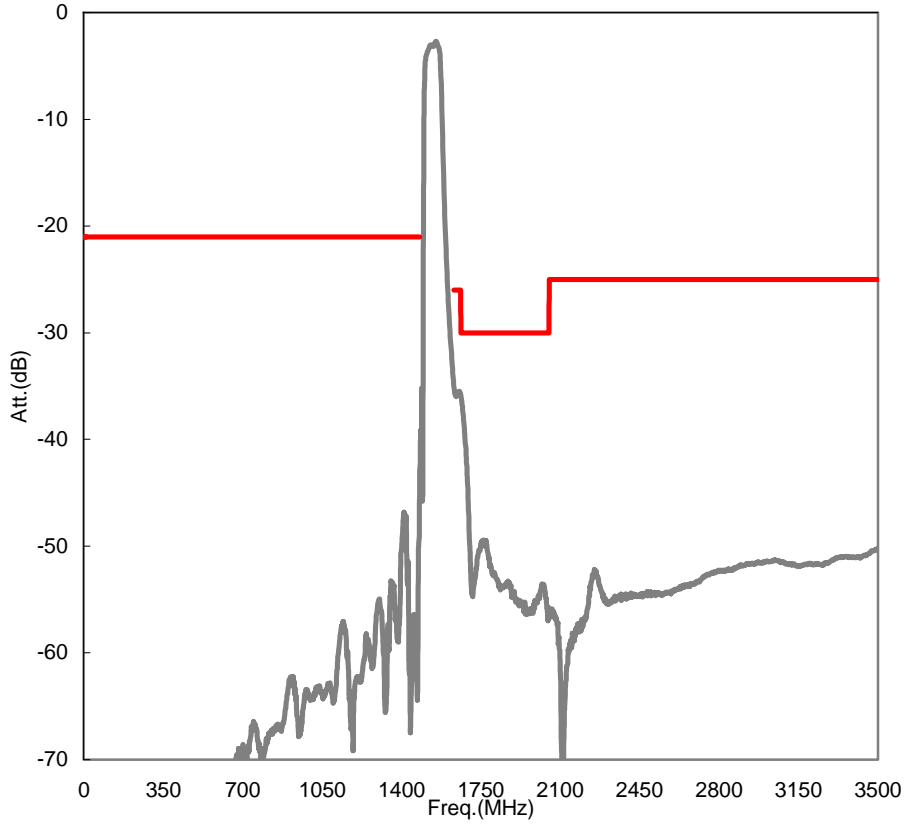
1. Transfer function (25°C)



SAW Filter 1542.50MHz
Part No: MP03519

Model: TA0425B
Rev No: 1

2. Wideband

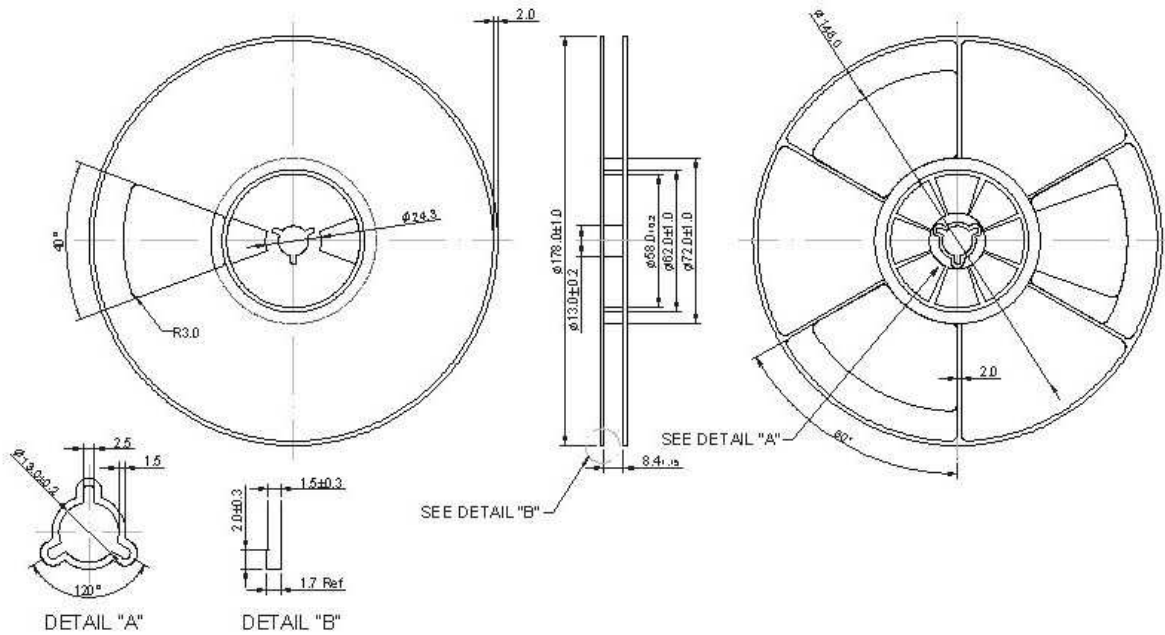


SAW Filter 1542.50MHz
Part No: MP03519

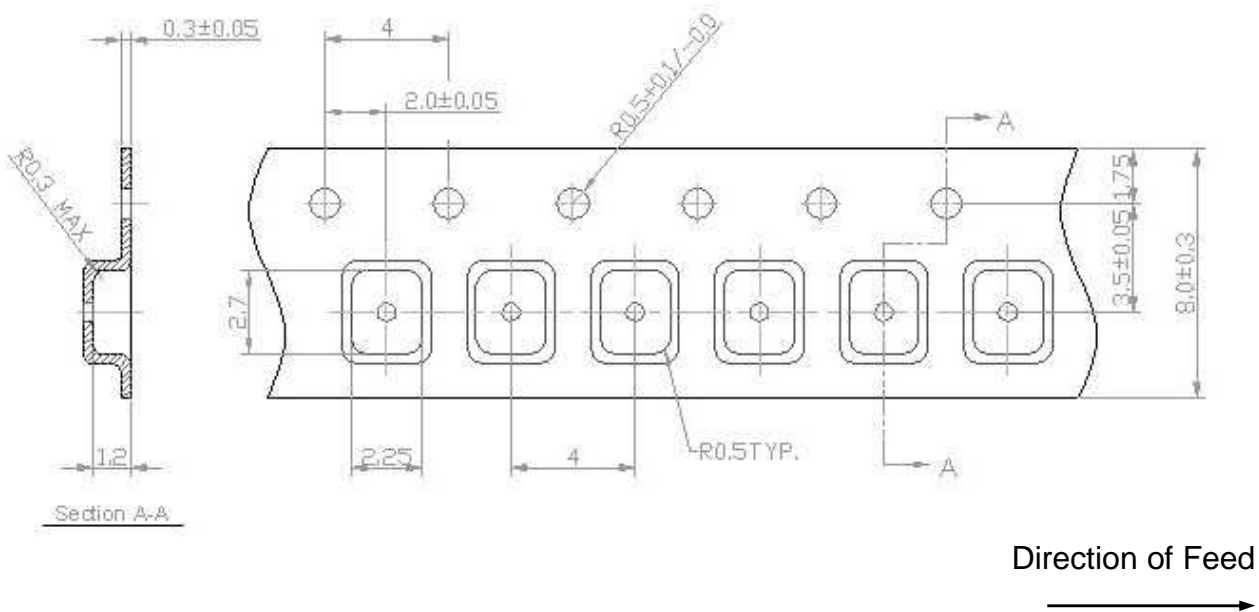
Model: TA0425B
Rev No: 1

G. PACKING:

1. REEL DIMENSION



2. TAPE DIMENSION



SAW Filter 1542.50MHz
Part No: MP03519

Model: TA0425B
Rev No: 1

H. RECOMMENDED REFLOW PROFILE:

