

SAW Filter 351.10MHz
Part No: MP03635

Model: TB0591A
Rev No: 1

A. MAXIMUM RATING:

1. Operating Temperature: -40°C ~ +85°C
2. Storage Temperature: -40°C ~ +85°C
3. Input Power Level: 10dBm

B. CHARACTERISTICS:

Ambient Temperature: 25°C

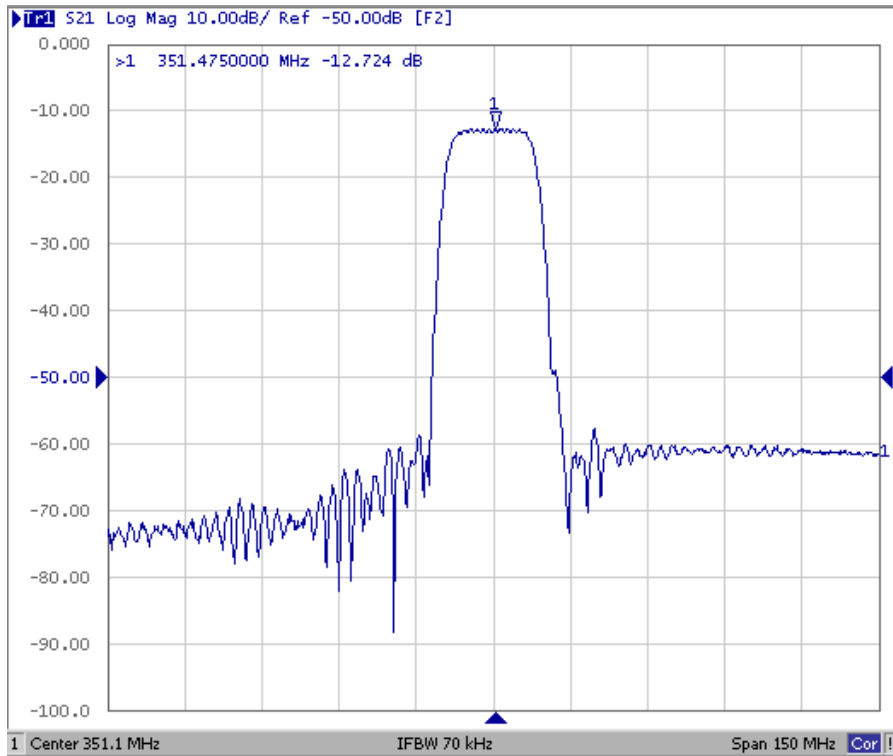
Characteristics	Value		
	Min.	Typ.	Max.
Center frequency Fc MHz	-	351.1	-
Maximum Insertion loss IL dB	-	12.7	14.0
Passband Ripple in Fc ± 6MHz dB	-	0.7	1.0
Temp Coefficient ppm/°C	-	-23	-
Return Loss dB	-	-15	-
Attenuation: (Reference level from minimum insertion loss)			
340MHz dB	10.0	25.0	-
360MHz dB	4.0	9.0	-

SAW Filter 351.10MHz
Part No: MP03635

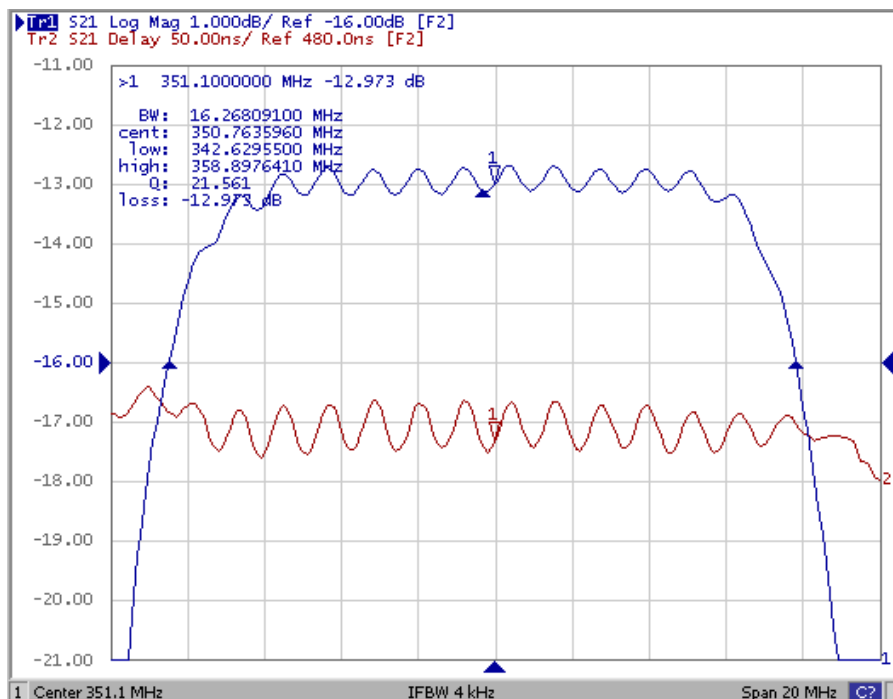
Model: TB0591A
Rev No: 1

C. FREQUENCY RESPONSES:

1. Wideband response



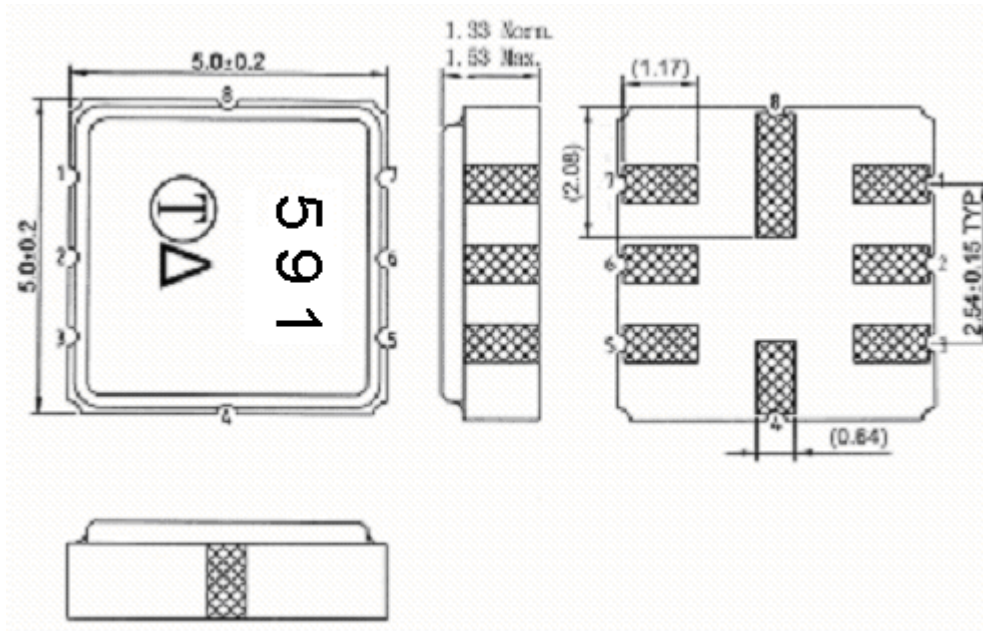
2. Passband response



SAW Filter 351.10MHz
Part No: MP03635

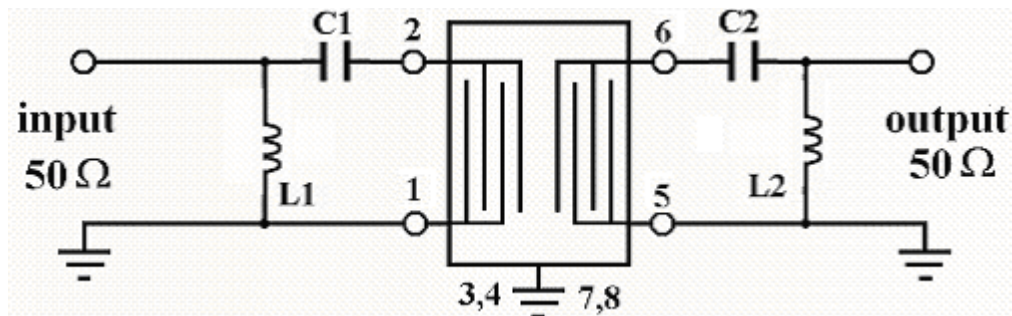
Model: TB0591A
Rev No: 1

D. OUTLINE DRAWING:



- 2: Input +
 - 1: Input -
 - 6: Output +
 - 5: Output -
 - 3, 4, 7, 8: To be Ground
- Unit: mm

E. MEASUREMENT CIRCUIT:



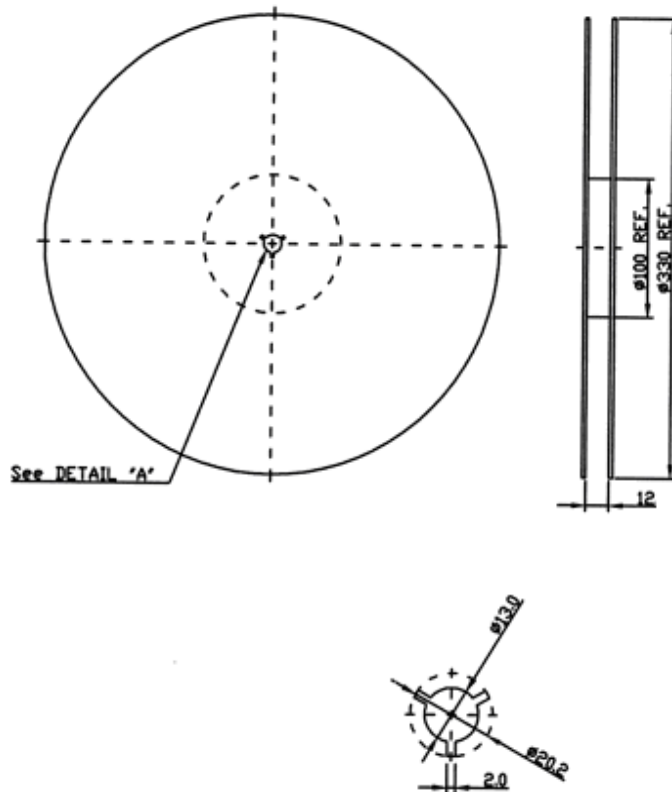
L1 = 8.2nH, C1 = 18pF, L2 = 8.2nH, C2 = 27pF

SAW Filter 351.10MHz
Part No: MP03635

Model: TB0591A
Rev No: 1

F. PACKING:

1. REEL DIMENSION



2. TAPE DIMENSION

