

SAW Filter 915.0MHz
Part No: MP03642

Model: TA1294A
Rev No: 1

A. MAXIMUM RATING:

1. Input Power Level: 10dBm
2. DC Voltage: 3V
3. Operating Temperature: -30°C to +85°C
4. Storage Temperature: -40°C to +85°C

B. ELECTRICAL CHARACTERISTICS:

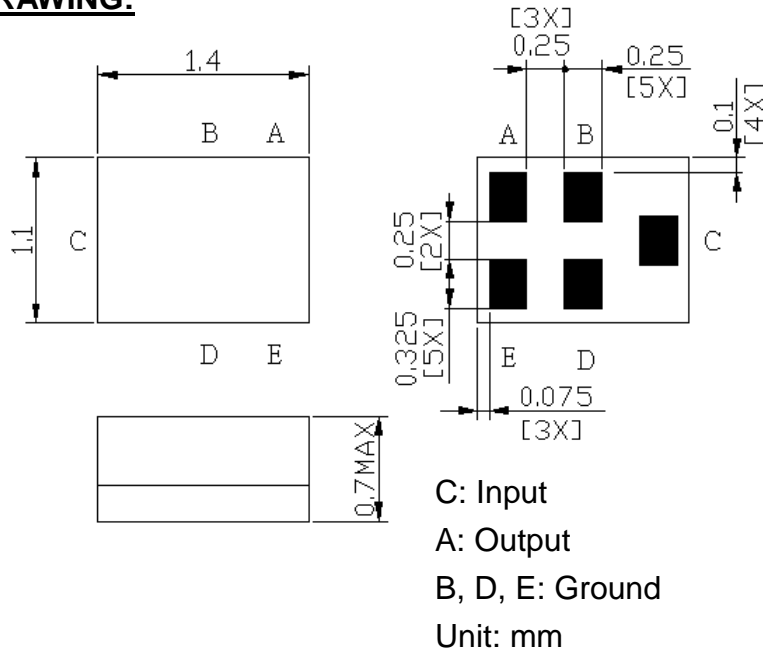
1. Terminating source impedance: $Z_S = 50\Omega$
2. Terminating load impedance: $Z_L = 50\Omega$

Item	Unit	Min.	Type.	Max.
Center Frequency Fc	MHz	-	915	-
Insertion Loss (902 ~ 928MHz) IL	dB	-	2.5	3.1
Amplitude ripple (902 ~ 928MHz)	dB	-	0.4	1.5
Return Loss (902 ~ 928MHz)	dB	9	10	-
Group Delay Deviation (902 ~ 928MHz)	ns	-	15	50
Attenuation				
0.1 ~ 702MHz	dB	50	53	-
738 ~ 764MHz	dB	49	53	-
820 ~ 846MHz	dB	42	48	-
990 ~ 1010MHz	dB	42	50	-
1072 ~ 1092MHz	dB	49	53	-
1128 ~ 1804MHz	dB	40	42	-
1804 ~ 1856MHz	dB	40	42	-
1856 ~ 3000MHz	dB	30	36	-

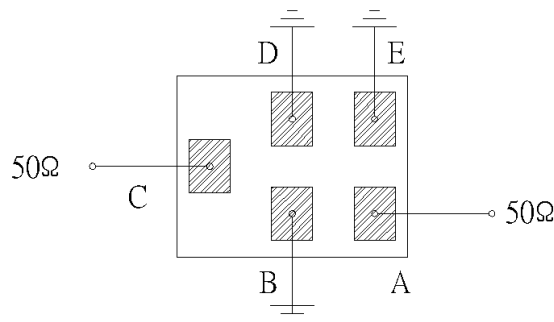
SAW Filter 915.0MHz
Part No: MP03642

Model: TA1294A
Rev No: 1

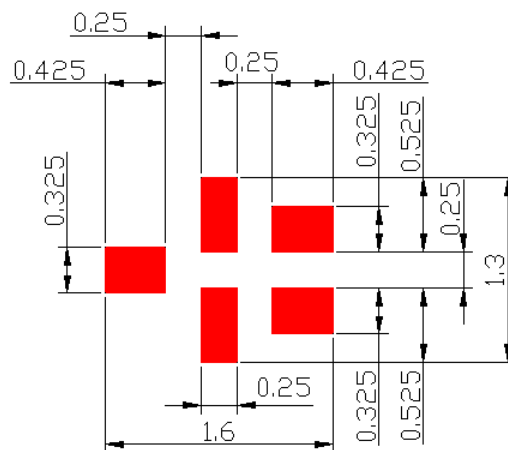
C. OUTLINE DRAWING:



D. MEASUREMENT CIRCUIT:



E. PCB FOOTPRINT:

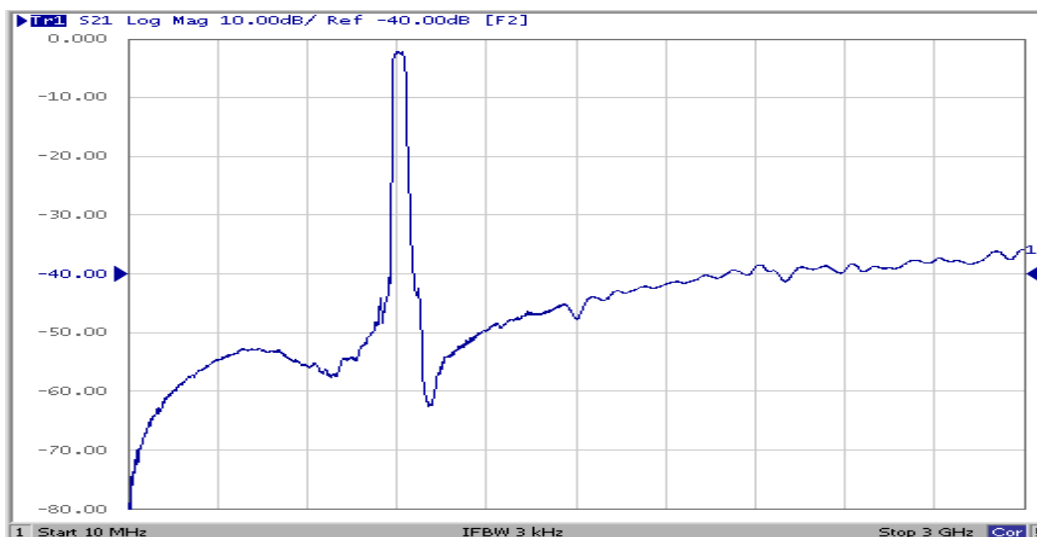
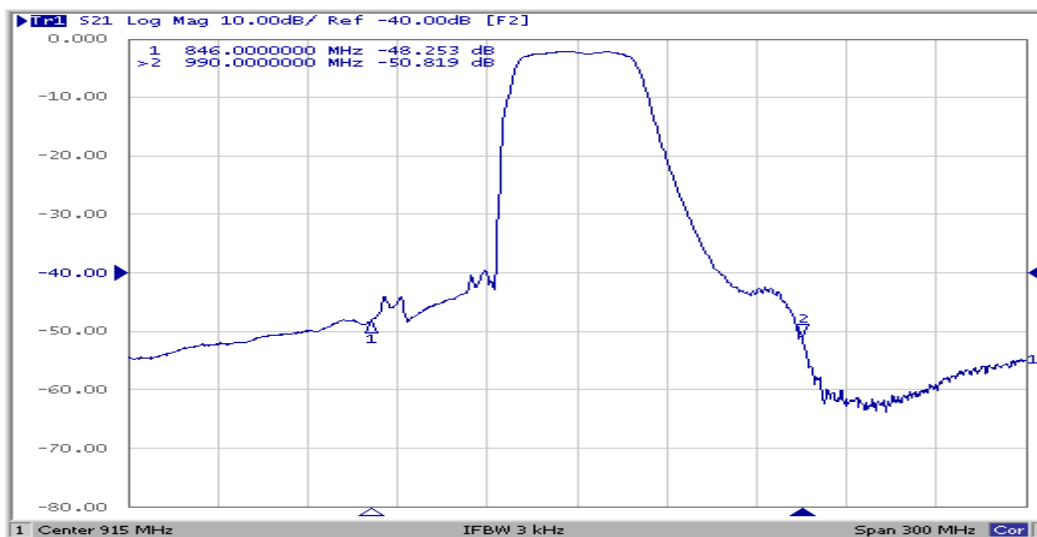
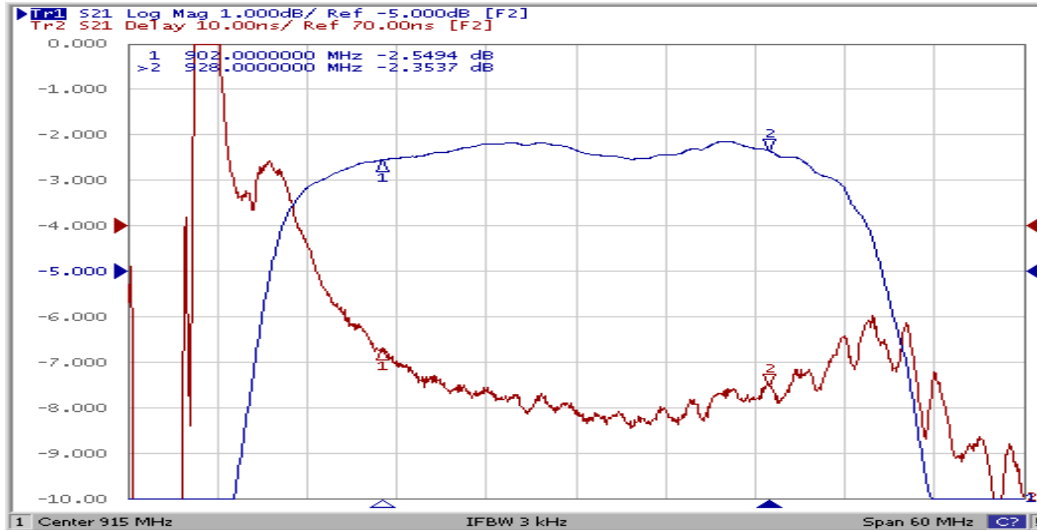


■ : Land Pattern
 Unit : mm

SAW Filter 915.0MHz
Part No: MP03642

Model: TA1294A
Rev No: 1

F. FREQUENCY CHARACTERISTICS:

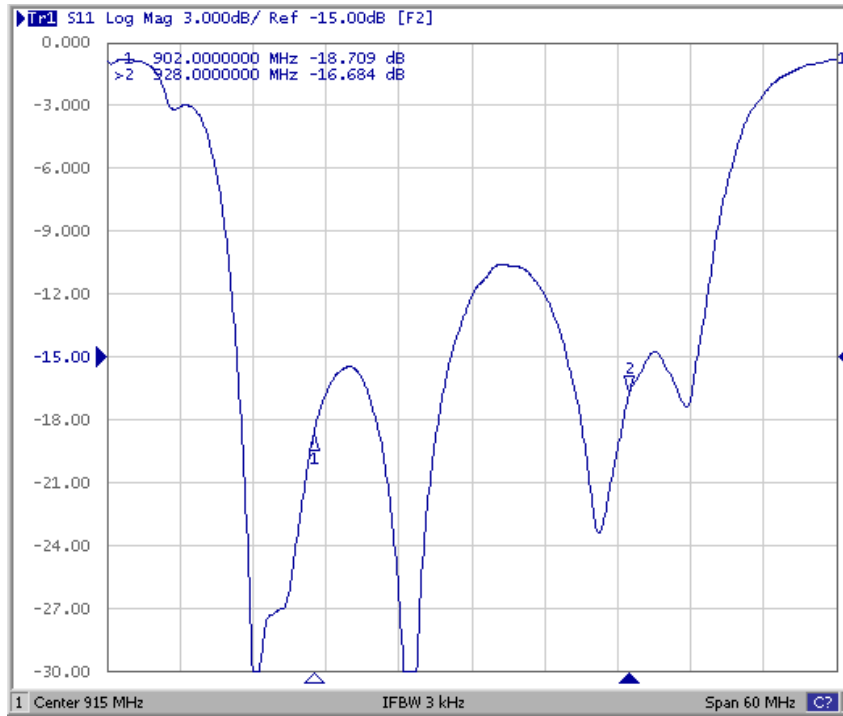


SAW Filter 915.0MHz
Part No: MP03642

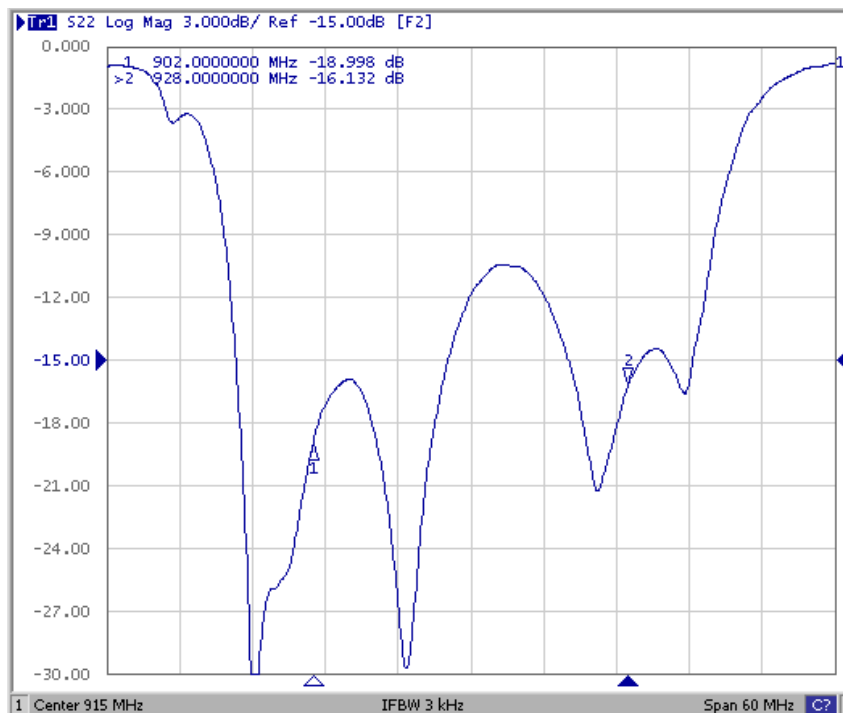
Model: TA1294A
Rev No: 1

Reflection Functions

S11



S22



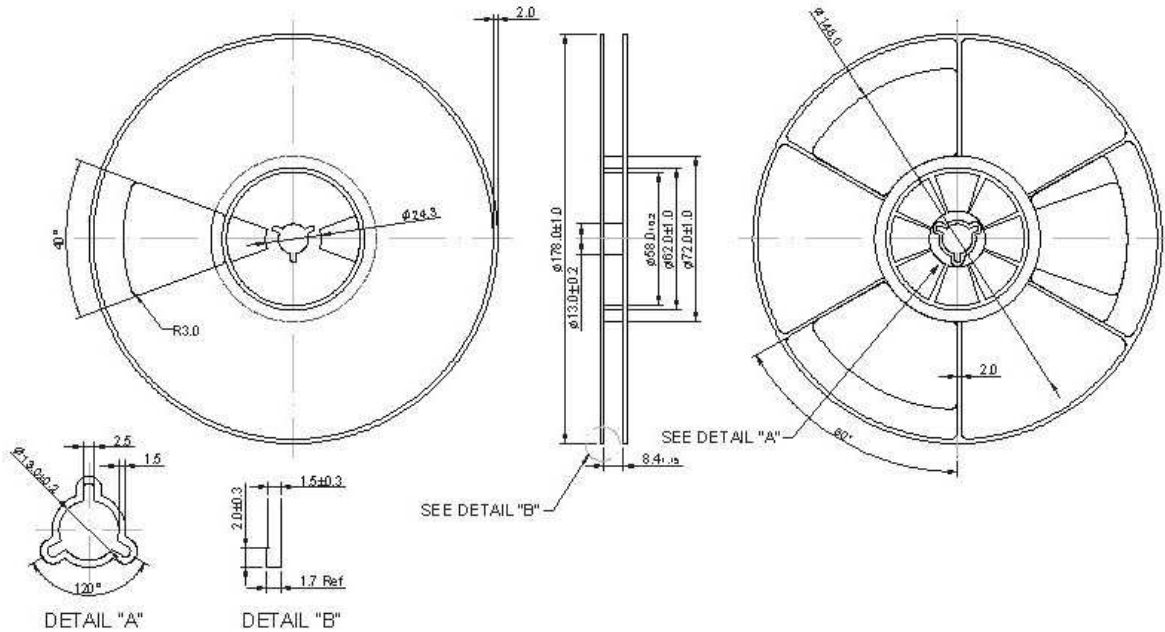
SAW Filter 915.0MHz
Part No: MP03642

Model: TA1294A
Rev No: 1

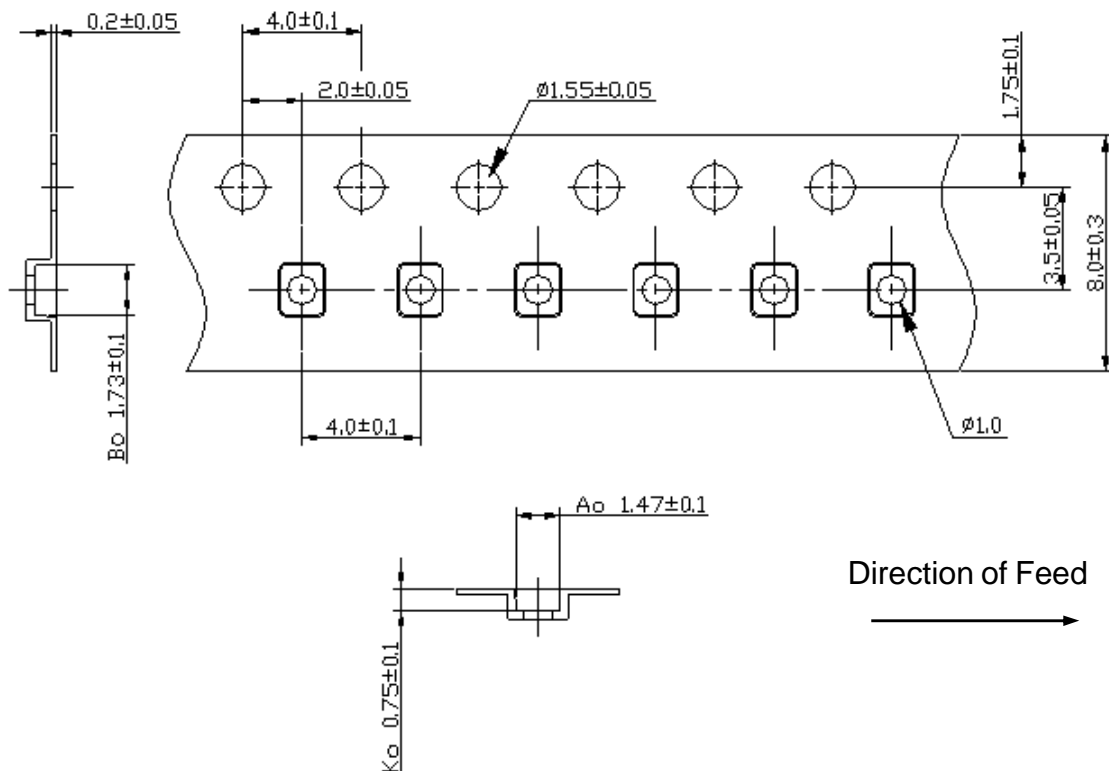
G. PACKING:

1. REEL DIMENSION

(Reel Count: 7" = 2000)



2. TAPE DIMENSION



SAW Filter 915.0MHz
Part No: MP03642

Model: TA1294A
Rev No: 1

H. RECOMMENDED REFLOW PROFILE:

