

SAW Filter 374.0MHz
Part No: MP03699

Model: TB0530A
Rev No: 1

A. MAXIMUM RATING:

1. Operating Temperature: -40°C ~ +85°C
2. Storage Temperature: -40°C ~ +85°C
3. Input Power Level: 10dBm

B. CHARACTERISTICS:

Ambient Temperature: 25°C

Characteristics	Value			Note
	Min.	Typ.	Max.	
Center frequency Fc MHz	-	374	-	-
Maximum Insertion loss IL dB	-	10.8	12.5	-
1dB Bandwidth MHz	10.5	11.8	-	
3dB Bandwidth MHz	-	13.4	-	
35dB Bandwidth MHz	-	18.4	-	
Passband Ripple in Fc ± 5.25MHz dB	-	0.7	1	-
Group Delay Ripple in Fc ± 5.25MHz nS	-	34	100	-
Temp Coefficient ppm/°C		-25		
Attenuation: (Reference level from minimum insertion loss)				
279 ~ 346MHz dB	40	49	-	-
346 ~ 357MHz dB	40	48	-	-
357 ~ 361MHz dB	35	46	-	-
387 ~ 391MHz dB	25	52	-	-
391 ~ 425MHz dB	30	46	-	-
425 ~ 469MHz dB	40	43	-	-

SAW Filter 374.0MHz
Part No: MP03699

Model: TB0530A
Rev No: 1

C. FREQUENCY CHARACTERISTICS:

1. S21 Response

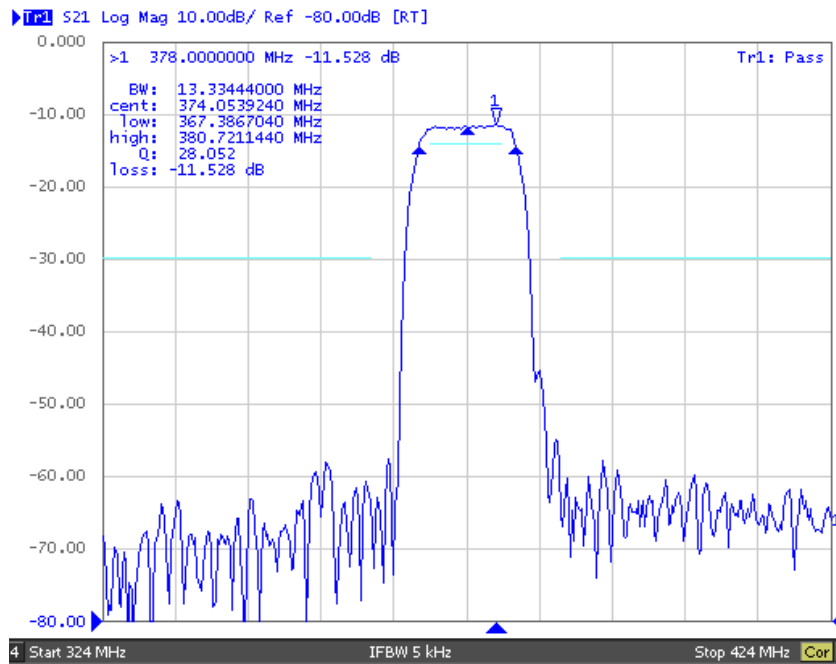


Fig. 1. Horizontal: 10MHz; Vertical: 10dB/Div

2. Passband Response

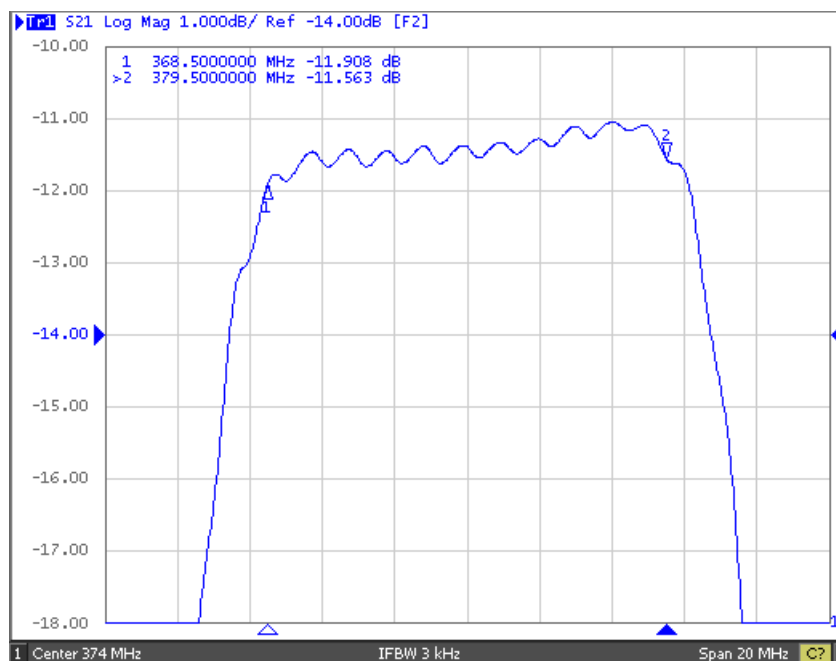


Fig. 2. Passband Horizontal: 2MHz; Vertical: 1dB/Div

SAW Filter 374.0MHz
Part No: MP03699

Model: TB0530A
Rev No: 1

3. Group Delay

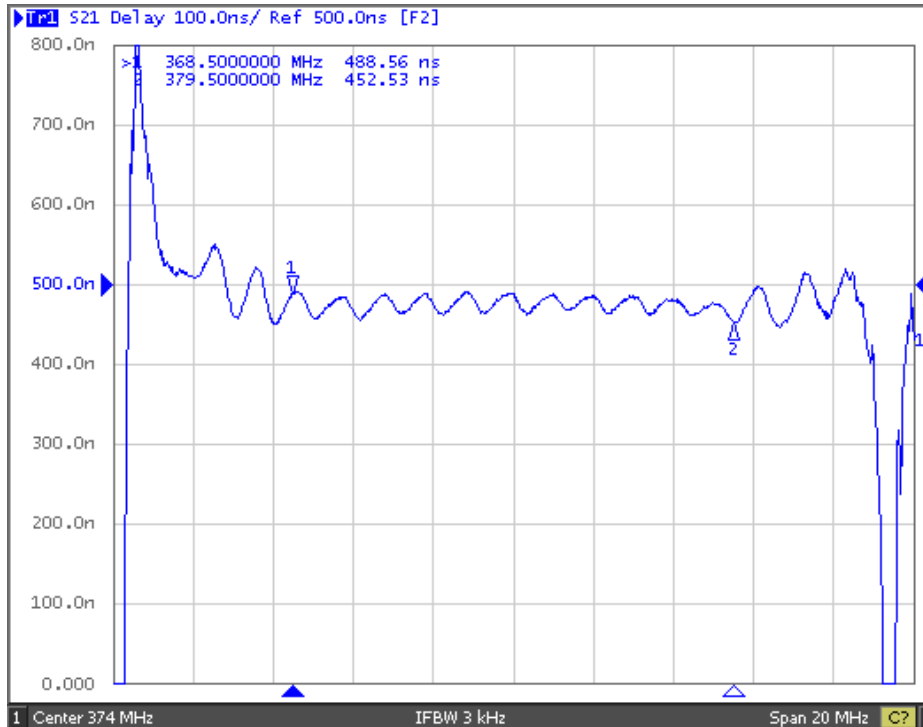
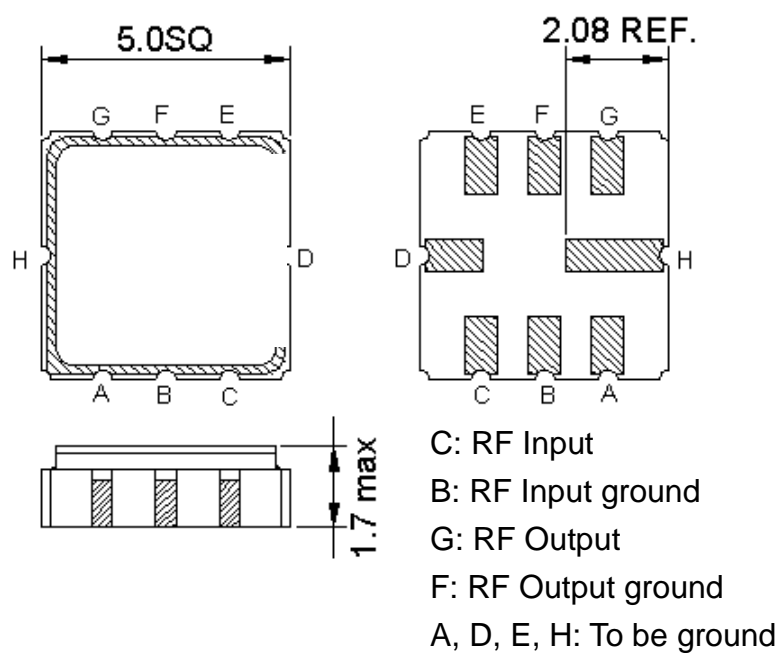


Fig. 3. Passband Horizontal: 2MHz; Vertical: 1dB/Div

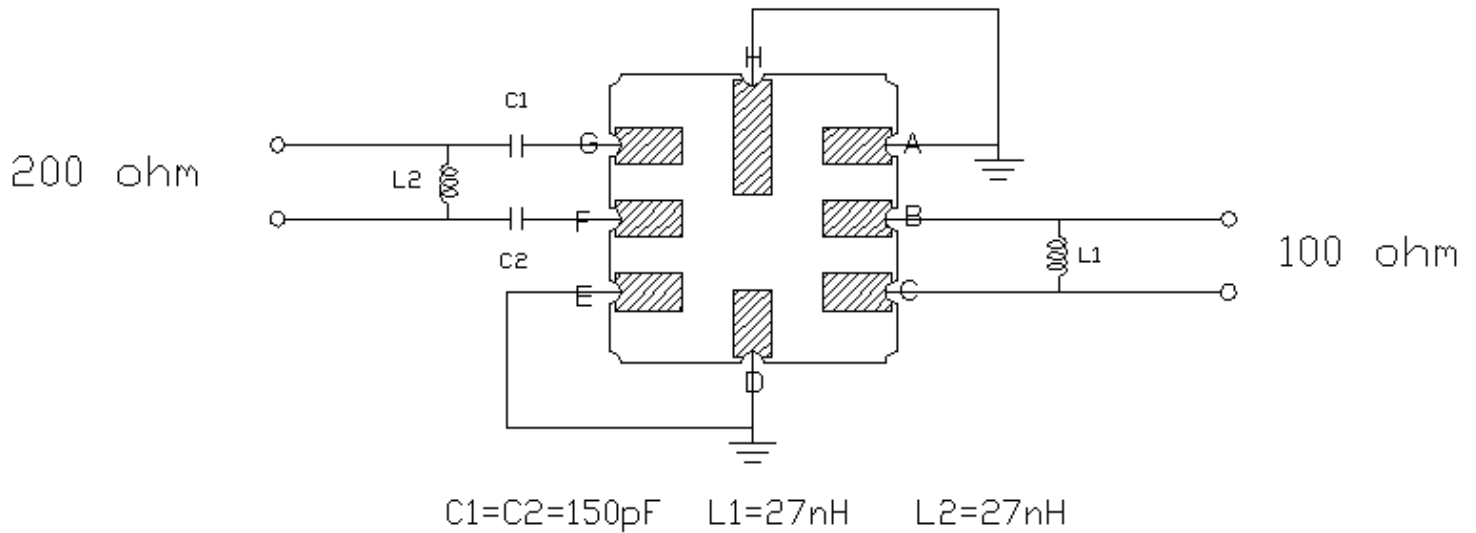
D. OUTLINE DRAWING:



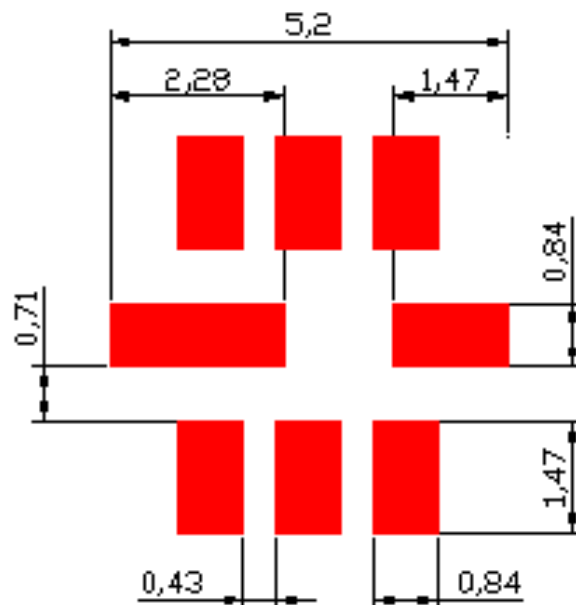
SAW Filter 374.0MHz
Part No: MP03699

Model: TB0530A
Rev No: 1

E. MEASUREMENT CIRCUIT:



F. PCB FOOTPRINT:

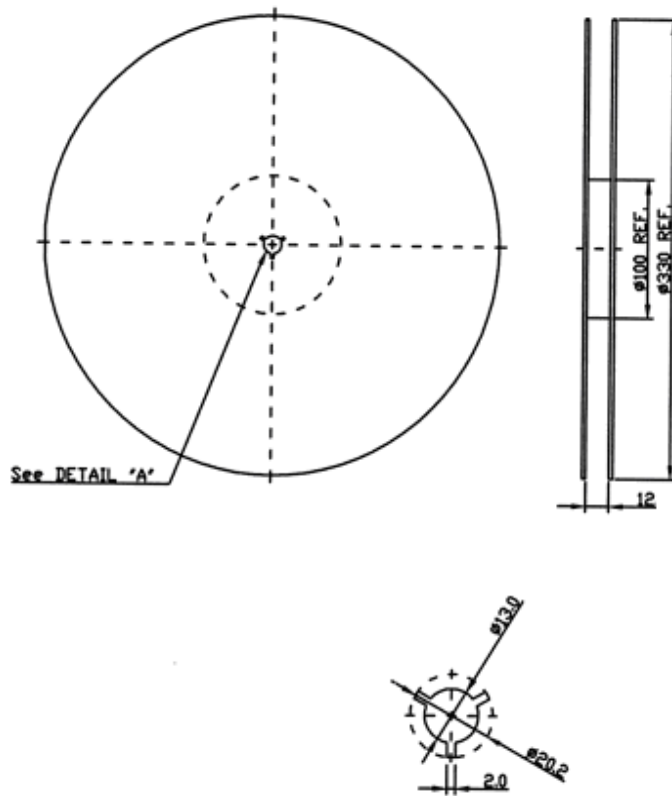


SAW Filter 374.0MHz
Part No: MP03699

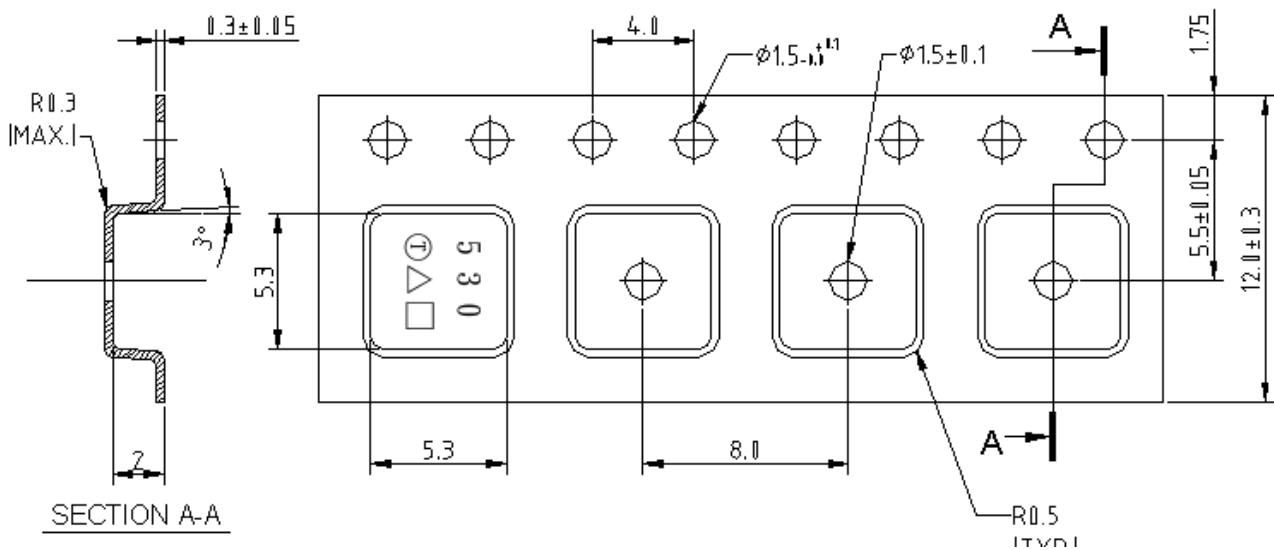
Model: TB0530A
Rev No: 1

G. PACKING:

1. REEL DIMENSION



2. TAPE DIMENSION



SAW Filter 374.0MHz
Part No: MP03699

Model: TB0530A
Rev No: 1

H. RECOMMENDED REFLOW PROFILE:

