

SAW Filter 1588.6550MHz
Part No: MP03759

Model: TA1267A
Rev No: 1

A. MAXIMUM RATING:

1. Input Power Level: 10dBm
2. DC Voltage: 3V
3. Operating Temperature: -30°C to +85°C
4. Storage Temperature: -40°C to +85°C

B. ELECTRICAL CHARACTERISTICS:

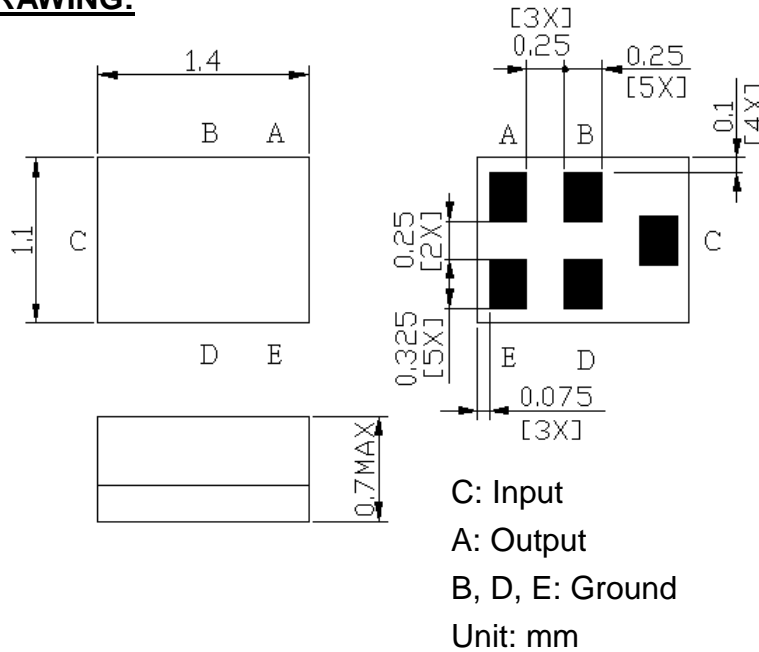
1. Terminating source impedance: $Z_S = 50\Omega$
2. Terminating load impedance: $Z_L = 50\Omega$

Item	Unit	Min.	Typ.	Max.	Note
Center Frequency Fc	MHz	-	1588.655	-	-
Insertion Loss (1573.42 ~ 1577.42MHz) IL	dB	-	1.25	1.7	-
Insertion Loss (1571.42 ~ 1605.89MHz) IL	dB		1.7	2.5	
Amplitude ripple (1573.42 ~ 1577.42MHz)	dB	-	0.25	0.8	-
Amplitude ripple (1571.42 ~ 1605.89MHz)	dB	-	0.7	1.5	
I/O VSWR (1573.42~1577.42MHz)		-	1.2	2	-
I/O VSWR (1571.42~1605.89MHz)		-	1.6	2	-
Attenuation					
D.C ~ 824MHz	dB	32	35	-	-
824 ~ 849MHz	dB	32	35	-	-
849 ~ 880MHz	dB	32	34.5	-	-
880 ~ 915MHz	dB	32	34.5	-	-
915 ~ 1452MHz	dB	30	34	-	-
1452 ~ 1525MHz	dB	32	37	-	-
1710 ~ 1785MHz	dB	32	36	-	-
1785 ~ 1850MHz	dB	32	36	-	-
1850 ~ 6000MHz	dB	25	36	-	-
Temperature Coefficient of Frequency	ppm/°C	-	-36	-	-

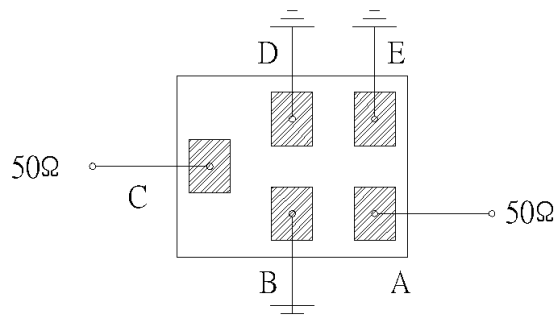
SAW Filter 1588.6550MHz
Part No: MP03759

Model: TA1267A
Rev No: 1

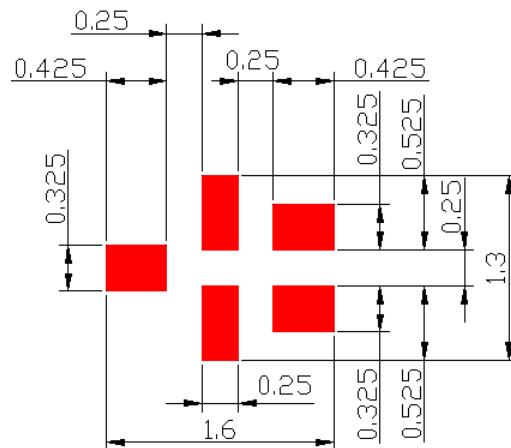
C. OUTLINE DRAWING:



D. MEASUREMENT CIRCUIT:



E. PCB FOOTPRINT:

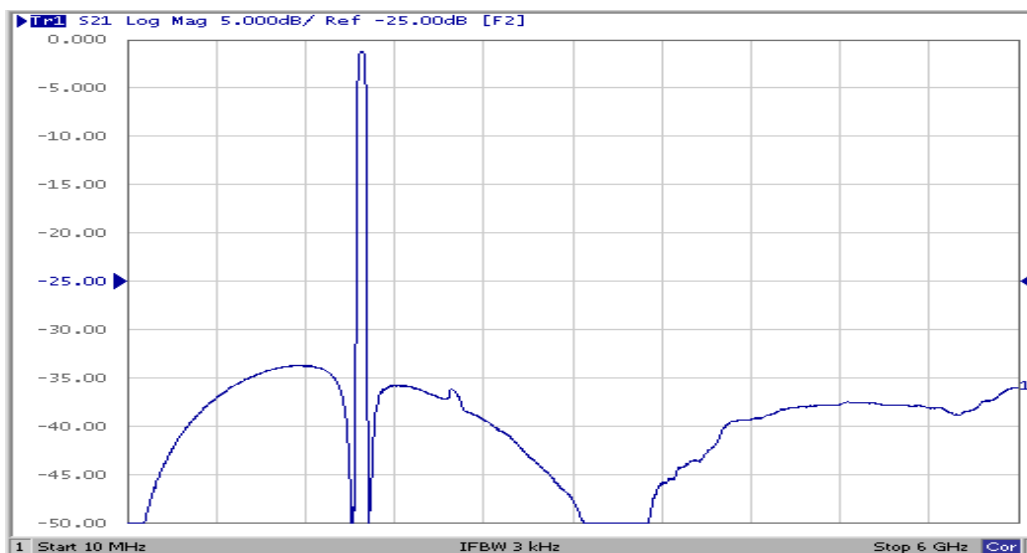
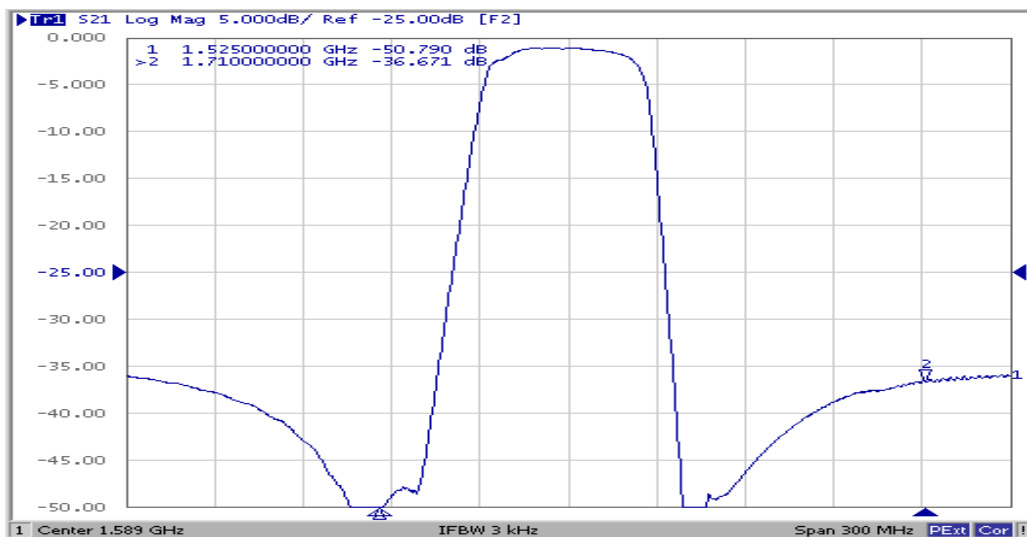
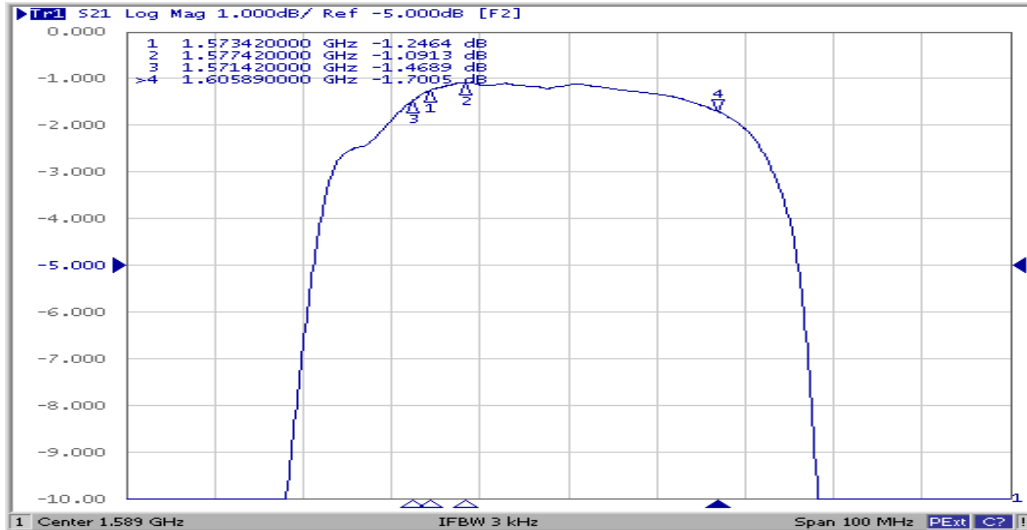


■ : Land Pattern
 Unit : mm

SAW Filter 1588.6550MHz
Part No: MP03759

Model: TA1267A
Rev No: 1

F. FREQUENCY CHARACTERISTICS:

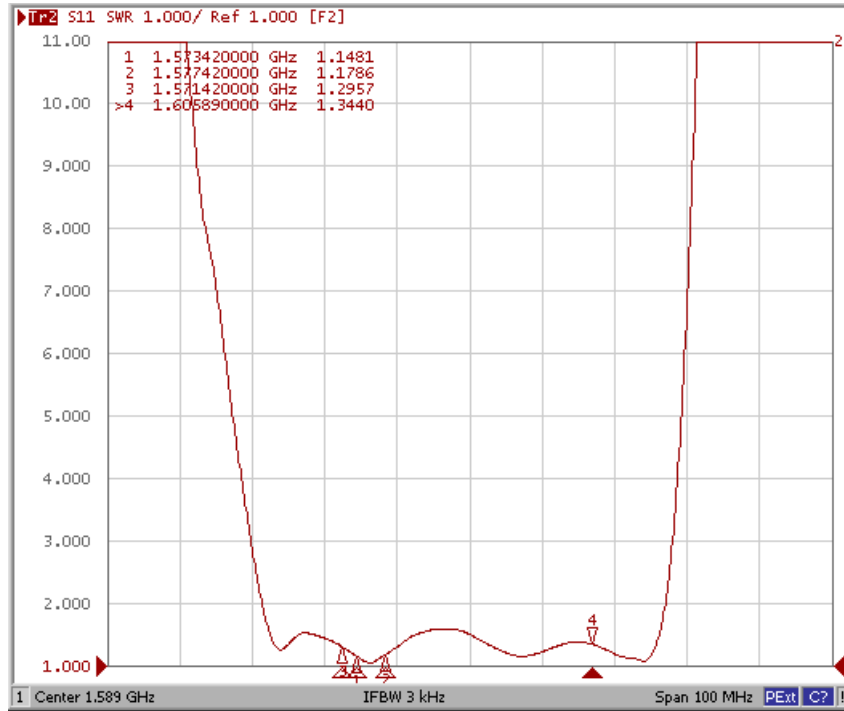


SAW Filter 1588.6550MHz
Part No: MP03759

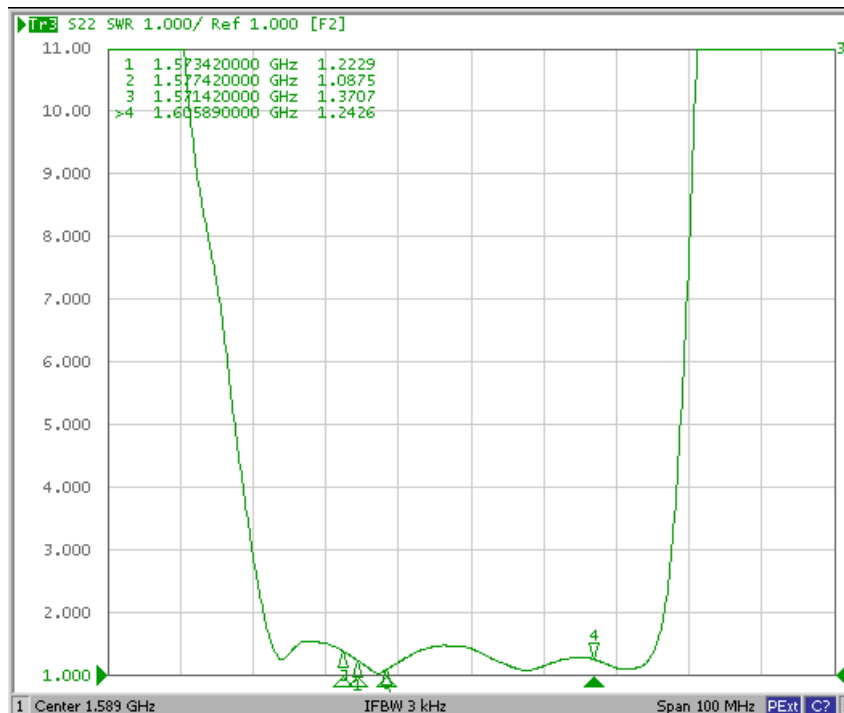
Model: TA1267A
Rev No: 1

Reflection Functions

S11



S22



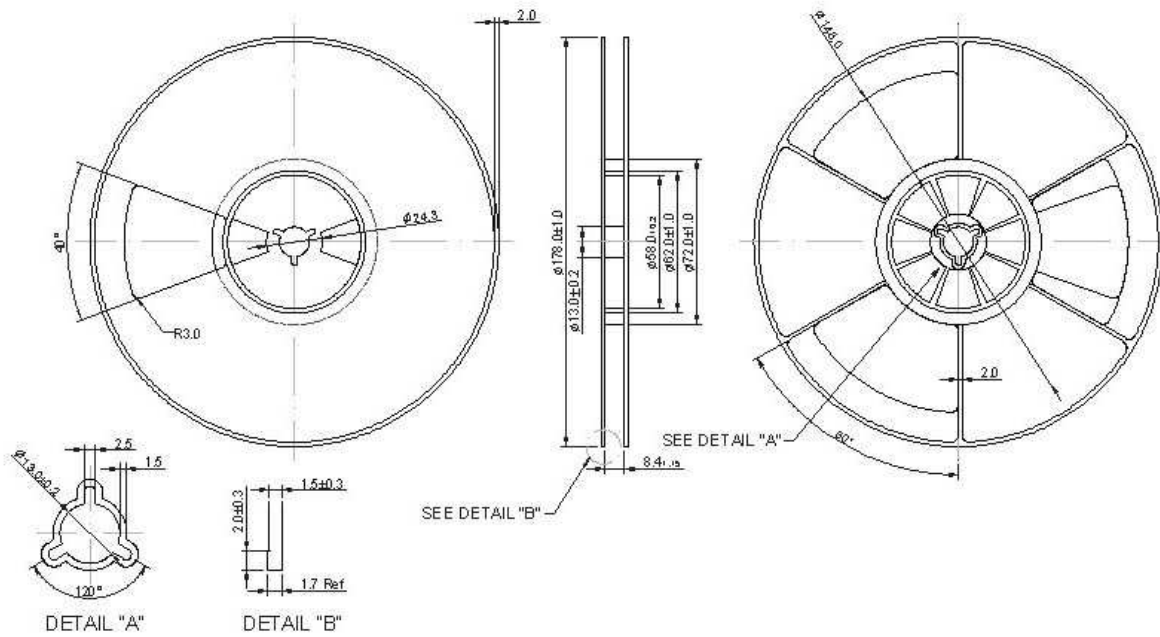
SAW Filter 1588.6550MHz
Part No: MP03759

Model: TA1267A
Rev No: 1

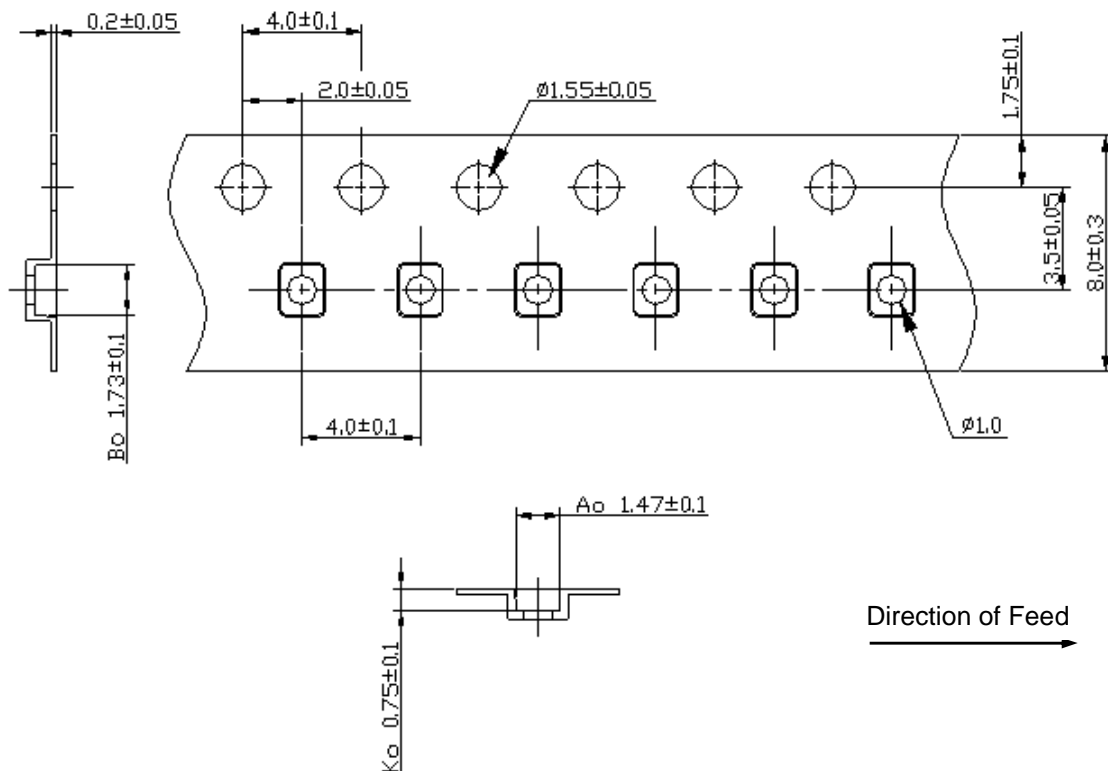
G. PACKING:

1. REEL DIMENSION

(Reel Count: 7" = 2000)



2. TAPE DIMENSION



SAW Filter 1588.6550MHz
Part No: MP03759

Model: TA1267A
Rev No: 1

H. RECOMMENDED REFLOW PROFILE:

