

SAW Filter 1591.50MHz
Part No: MP03765

Model: TA1175A
Rev No: 1

A. MAXIMUM RATING:

1. Input Power Level: 10dBm
2. DC Voltage: 3V
3. Operating Temperature: -40°C to +85°C
4. Storage Temperature: -40°C to +85°C

B. ELECTRICAL CHARACTERISTICS:

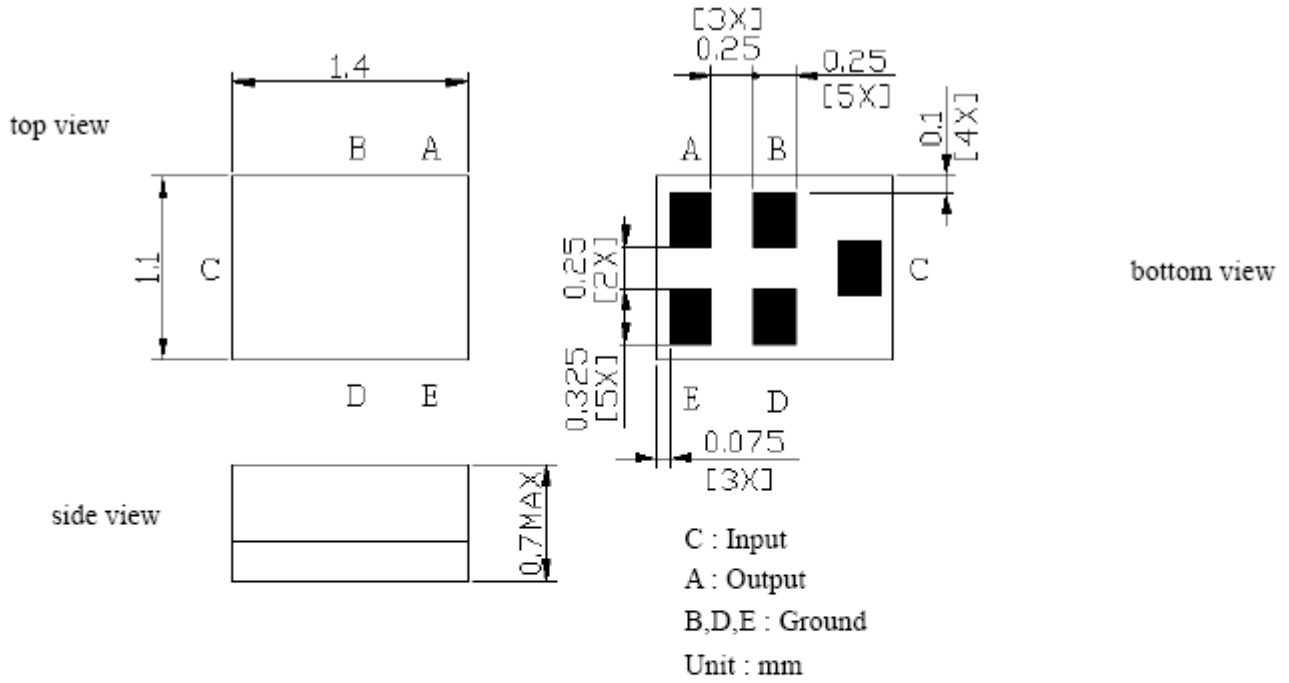
1. Terminating source impedance: $Z_S = 50\Omega$
2. Terminating load impedance: $Z_L = 50\Omega$

Item	Unit	Min.	Type.	Max.
Center Frequency Fc	MHz	-	1591.5	-
Insertion Loss (1574 ~ 1609MHz) IL	dB	-	2.4	3.7
Amplitude ripple (1574 ~ 1609MHz)	dB	-	1.3	2.6
VSWR (1574 ~ 1609MHz)	-	-	2.0	2.4
Group Delay Variation (1574 ~ 1609 MHz)	ns	-	17	50
Attenuation (Reference level from 0dB)				
10 ~ 1200MHz	dB	28	34	-
1200 ~ 1450MHz	dB	28	34	-
1450 ~ 1540MHz	dB	20	37	-
1626 ~ 1710MHz	dB	9	31	-
1710 ~ 2000MHz	dB	30	37	-
2000 ~ 2500MHz	dB	30	37	-
Temperature Coefficient of Frequency	ppm/°C	-	-36	-

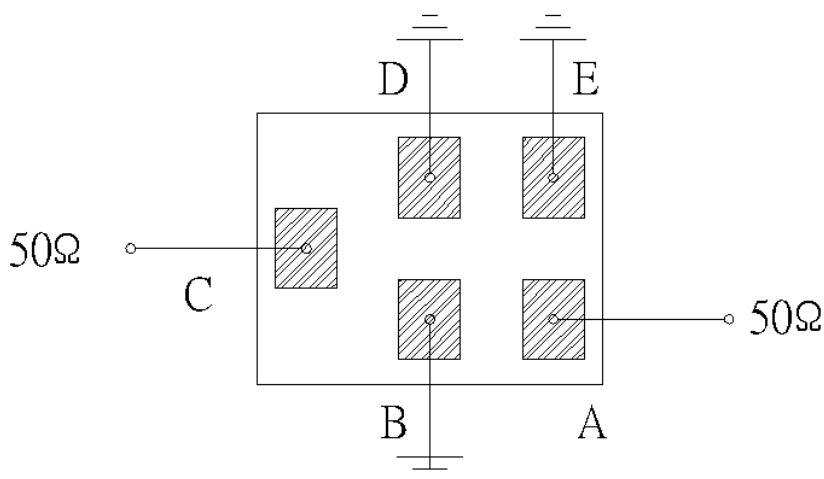
SAW Filter 1591.50MHz
Part No: MP03765

Model: TA1175A
Rev No: 1

C. OUTLINE DRAWING:



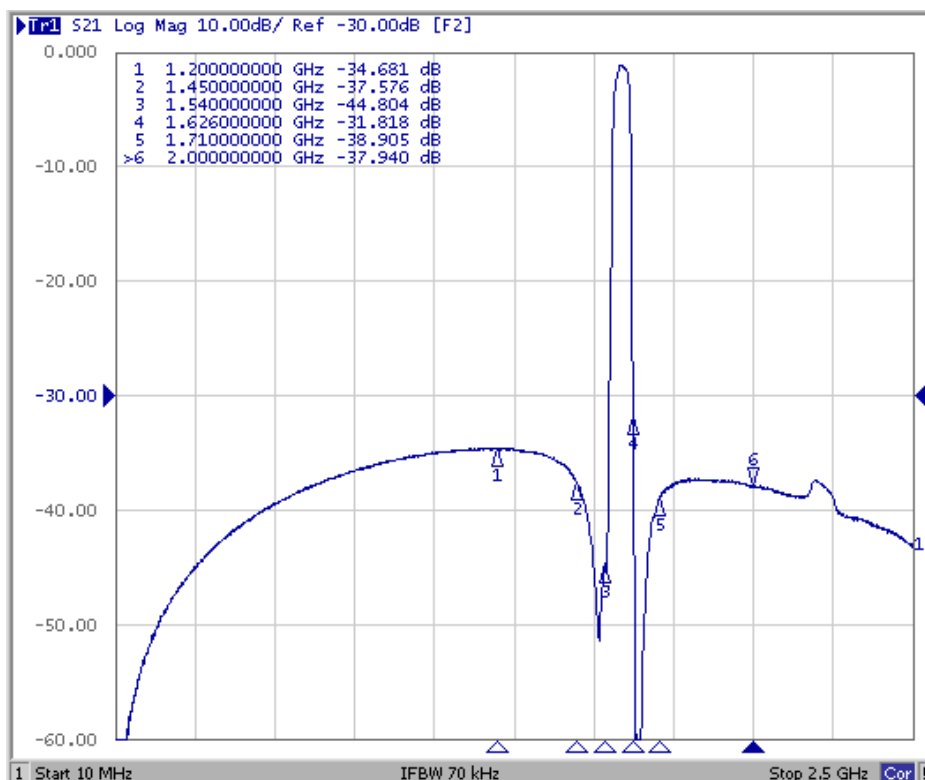
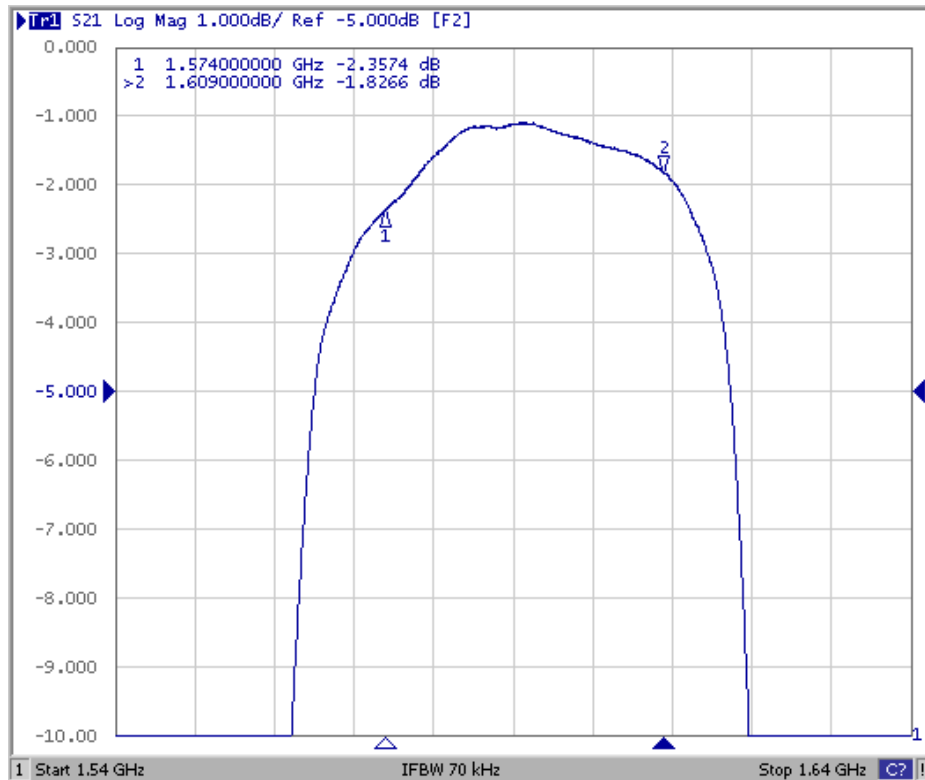
D. MEASUREMENT CIRCUIT:



SAW Filter 1591.50MHz
Part No: MP03765

Model: TA1175A
Rev No: 1

E. FREQUENCY CHARACTERISTICS:

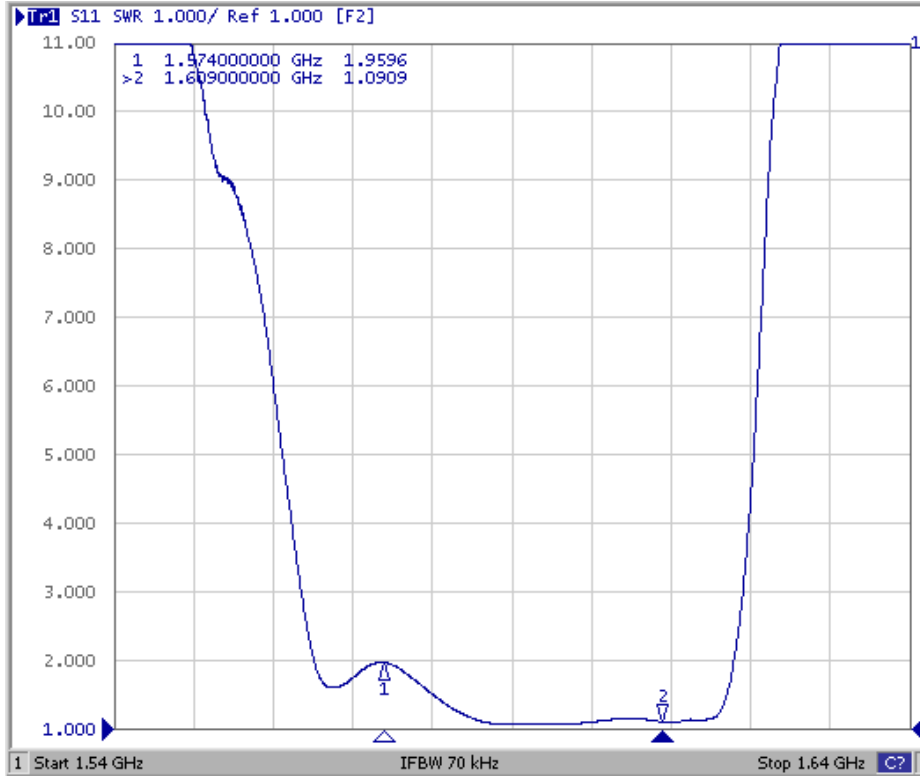


SAW Filter 1591.50MHz
Part No: MP03765

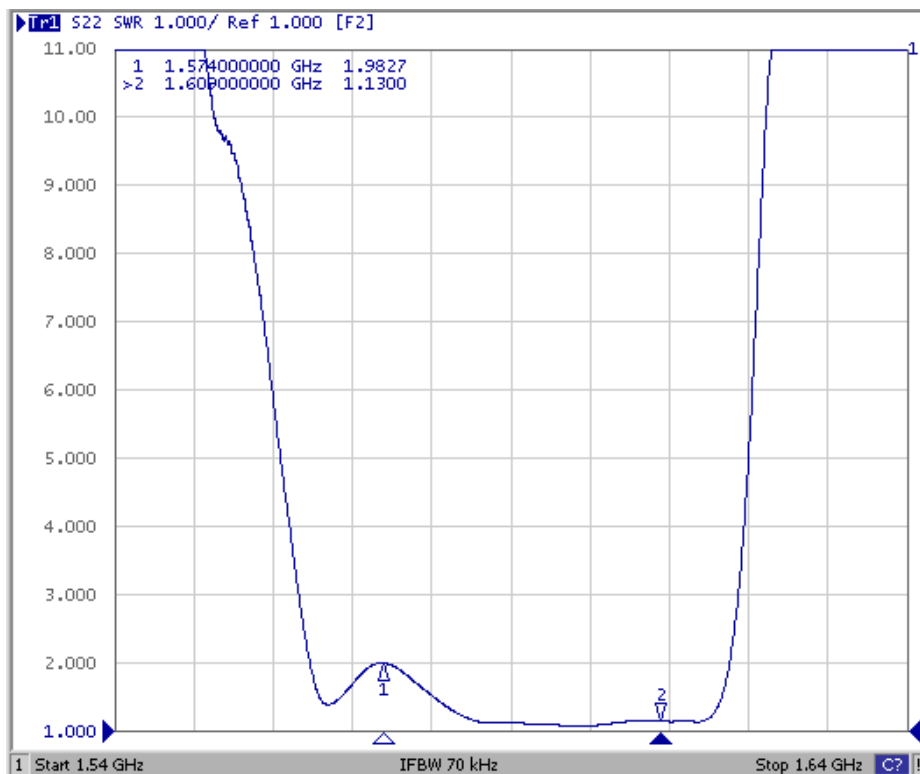
Model: TA1175A
Rev No: 1

Reflection Functions

S11



S22

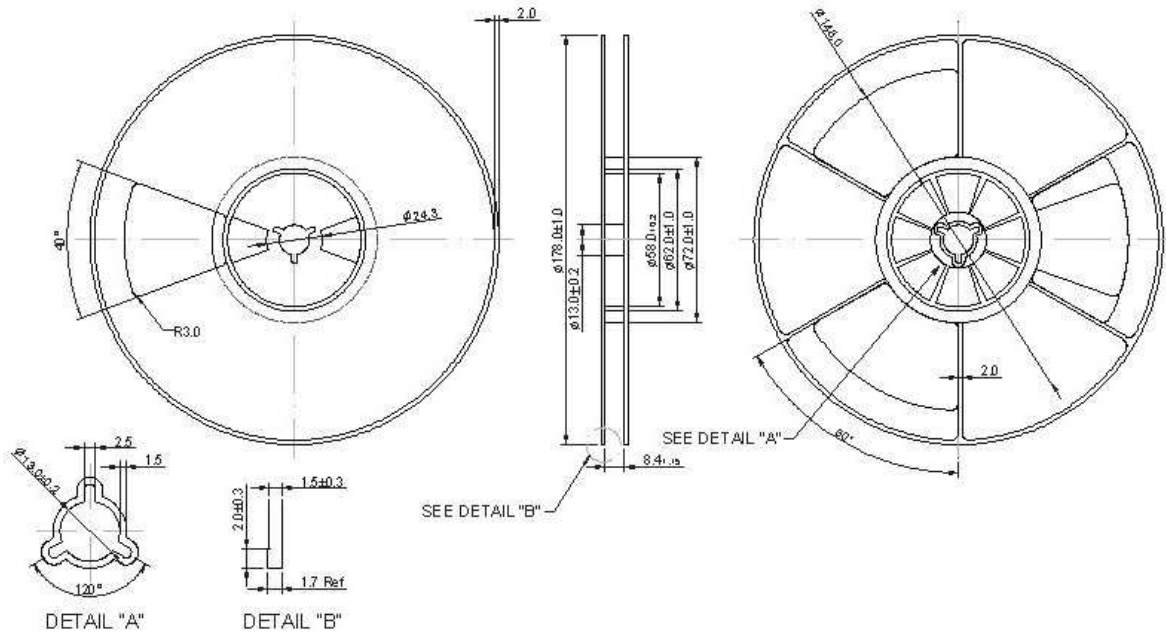


SAW Filter 1591.50MHz
Part No: MP03765

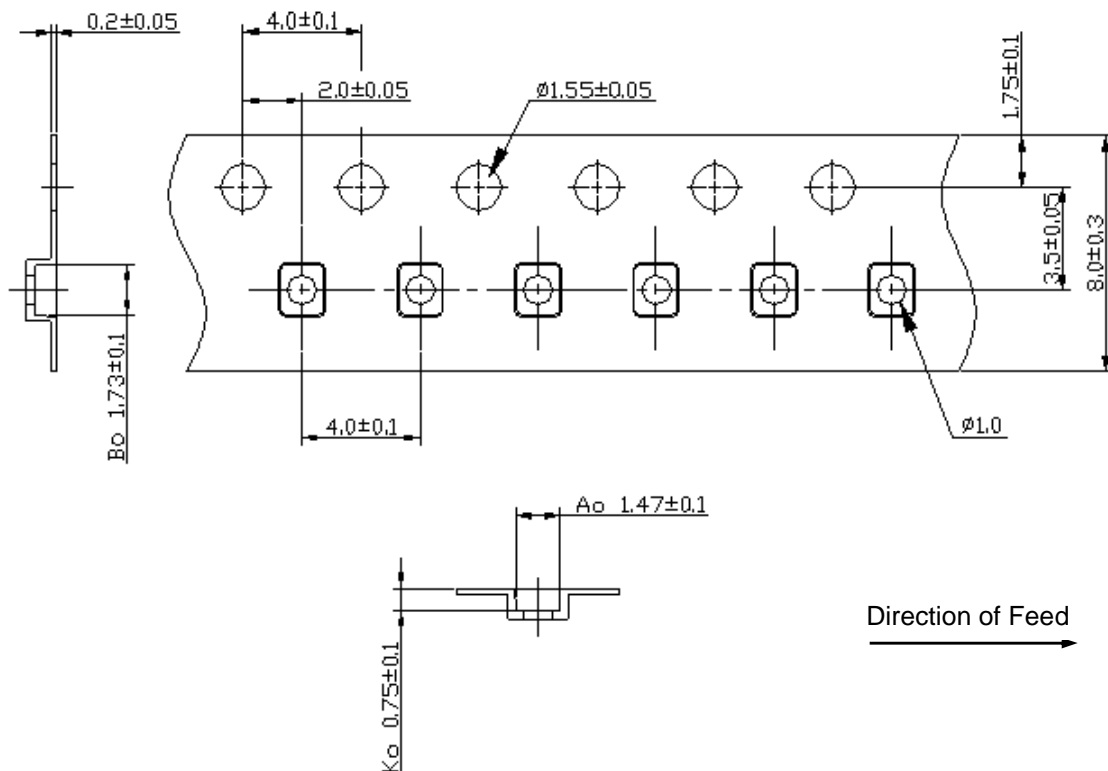
Model: TA1175A
Rev No: 1

F. PACKING:

1. REEL DIMENSION



2. TAPE DIMENSION



SAW Filter 1591.50MHz
Part No: MP03765

Model: TA1175A
Rev No: 1

G. RECOMMENDED REFLOW PROFILE:

