

**SAW Filter 525.0MHz**  
**Part No: MP03767**

**Model: TA1353A**  
**REV NO: 1**

**A. MAXIMUM RATING:**

Electrostatic Sensitive Device (ESD)

1. Input Power Level: 10dBm
2. DC voltage: 5V
3. Operating Temperature: -30°C to 60°C
4. Storage Temperature: -40°C to +85°C

**B. CHARACTERISTICS:**

Item	Unit	Min.	Typ.	Max.
Center frequency Fc	MHz	-	525	-
Amplitude ripple (513 ~ 537MHz)	dB	-	1.1	1.7
Insertion loss IL (513 ~ 537MHz)	dB	-	2.2	3.0
Group Delay GD (513 ~ 537MHz)	ns	-	46	200
Bandwidth @ -3dB		24	34.9	-
Attenuation (reference from 0dB)				
0.3 ~ 480MHz	dB	32	37	-
480 ~ 495MHz	dB	10	20	-
555 ~ 600MHz	dB	10	19	-
600 ~ 825MHz	dB	39	44	-
825 ~ 1000MHz	dB	32	37	-
Source impedance Z <sub>S</sub>	Ω	-	50	-
Load impedance Z <sub>L</sub>	Ω	-	50	-

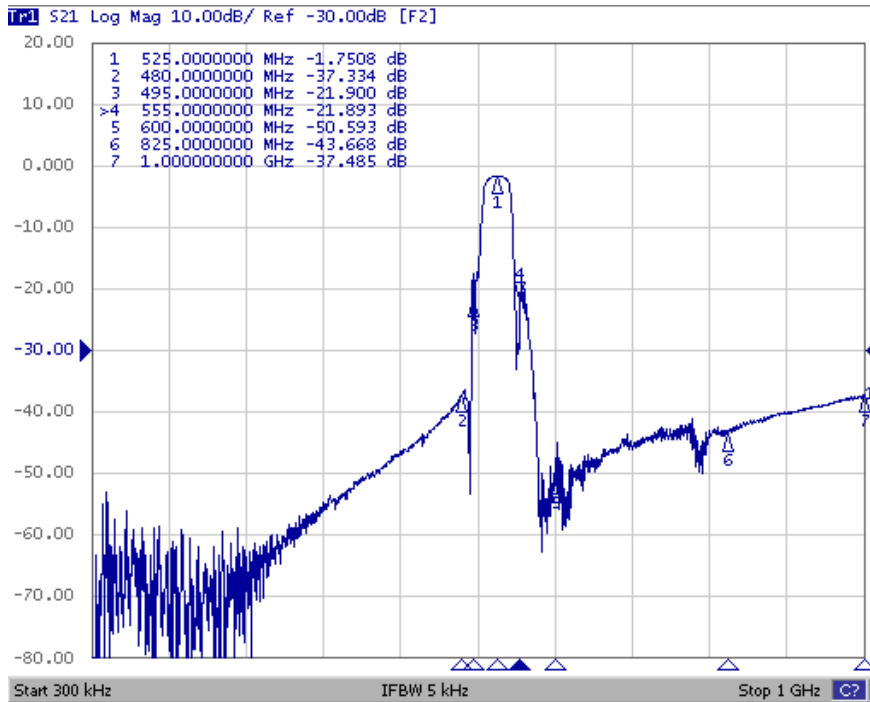
Note 1. No matching network required for operation at 50Ω

**SAW Filter 525.0MHz**  
**Part No: MP03767**

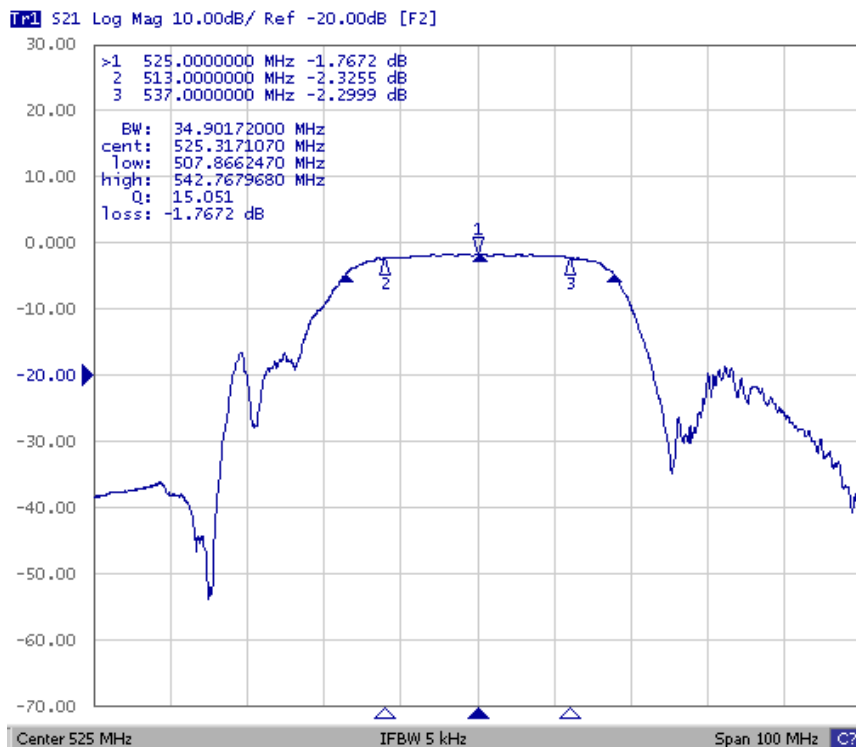
**Model: TA1353A**  
**REV NO: 1**

**C. FREQUENCY CHARACTERISTICS:**

1. Transfer Function  
 Wideband



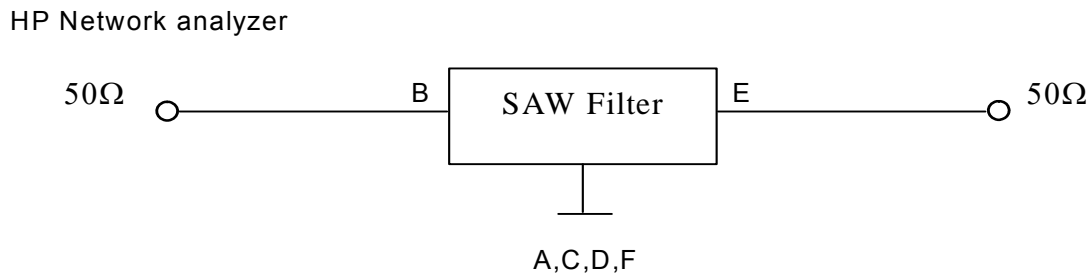
Passband



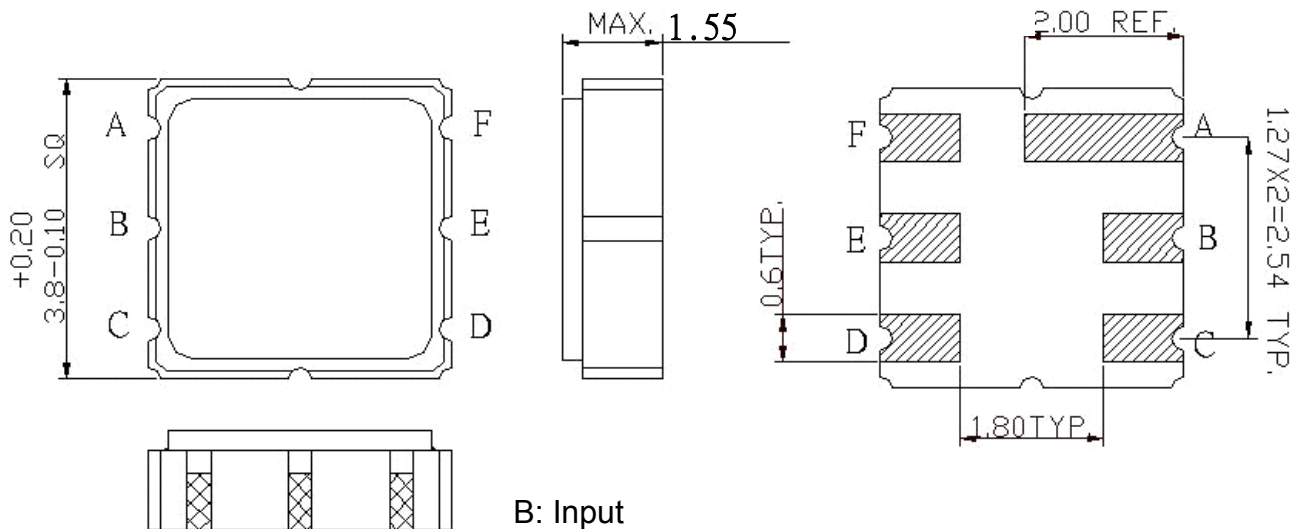
**SAW Filter 525.0MHz**  
**Part No: MP03767**

**Model: TA1353A**  
**REV NO: 1**

**D. MEASUREMENT CIRCUIT:**



**E. OUTLINE DRAWING:**



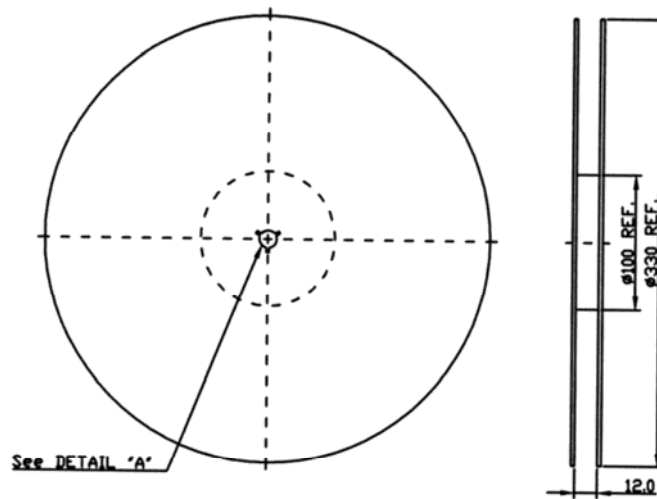
B: Input  
 E: Output  
 A, C, D, F: Ground  
 Unit: mm

**SAW Filter 525.0MHz**  
**Part No: MP03767**

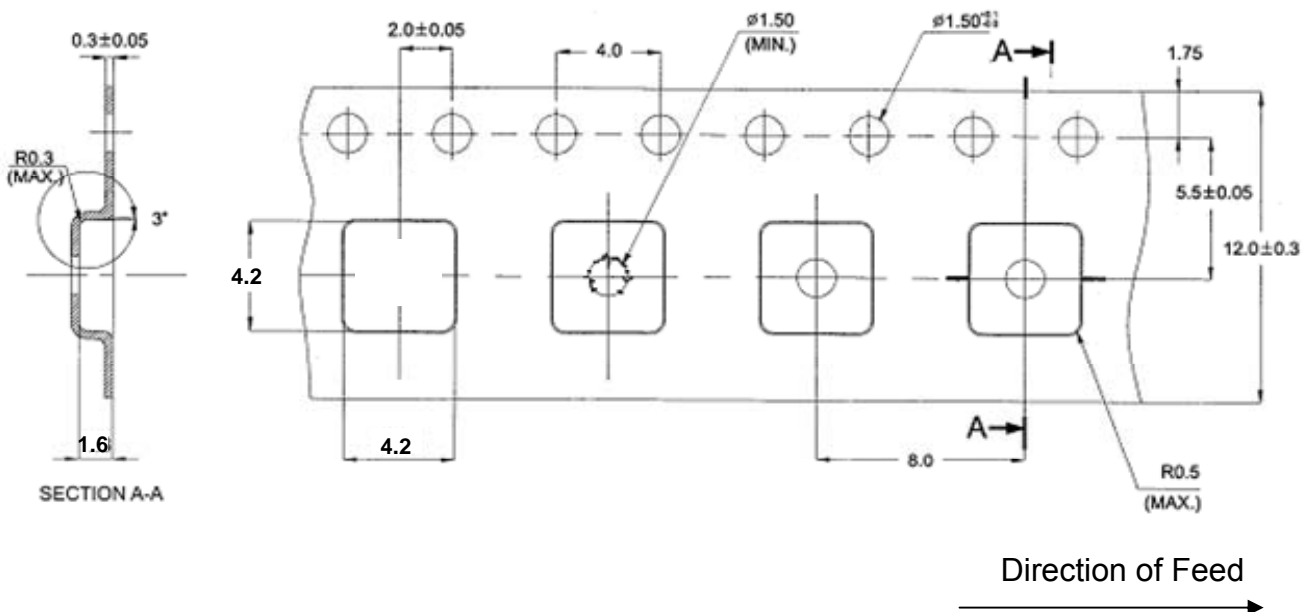
**Model: TA1353A**  
**REV NO: 1**

**F. PACKING:**

1. Reel Dimension



2. Tape Dimension



**SAW Filter 525.0MHz**  
**Part No: MP03767**

**Model: TA1353A**  
**REV NO: 1**

**G. RECOMMENDED REFLOW PROFILE:**

