

SAW Filter 869.26250MHz

Model: TA0348A

Part No: MP03782

Rev No: 1

A. MAXIMUM RATING:

1. Input Power Level: 0dBm
2. DC voltage: 12V
3. Operating Temperature: -45°C to +90°C
4. Storage Temperature: -45°C to +90°C

B. ELECTRICAL CHARACTERISTICS:

Reference temperature: -40°C to +85°C

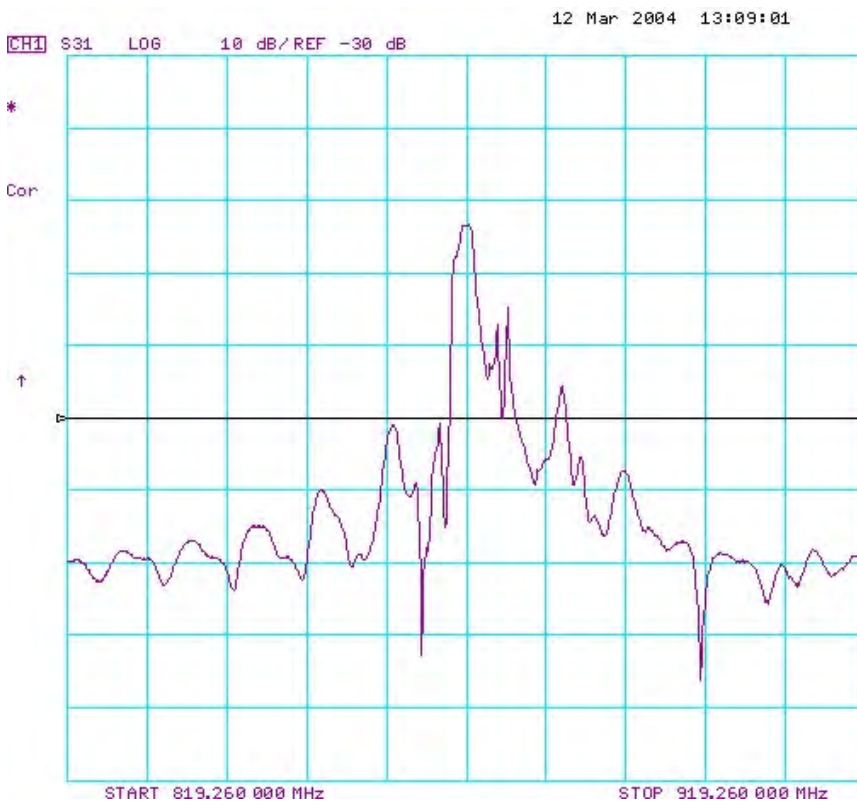
Item	Min.	Typ.	Max.	Note
Center frequency Fc (MHz)	-	869.2625	-	1
Minimum IL (868.8725~869.6525MHz) (dB) IL min	-	3.3	4.5	
Pass band (relative to IL min) 868.9125~869.6125MHz (dB)	-	0.4	1.0	1
Pass bandwidth (relative to IL min) BW1 (kHz)	-	1250	-	
Attenuation: (relative to IL min) (dB)				
10~700MHz (dB)	50	55	-	
700~842MHz (dB)	35	40	-	
842~864MHz (dB)	25	28	-	
864~866MHz (dB)	15	24	-	1
871.26~872.07MHz (dB)	10	15	-	
872.07~879MHz (dB)	10	13	-	
879~909MHz (dB)	15	20	-	
909~1000MHz (dB)	40	45	-	
Impedance at Fc; Input $Z_{IN} = R_{IN} // C_{IN}$	117Ω // 3.7pF			
Output $Z_{OUT} = R_{OUT} // C_{OUT}$	117Ω // 3.7pF			

Note 1: The standard definitions is in JIS C 6703

SAW Filter 869.26250MHz
Part No: MP03782

Model: TA0348A
Rev No: 1

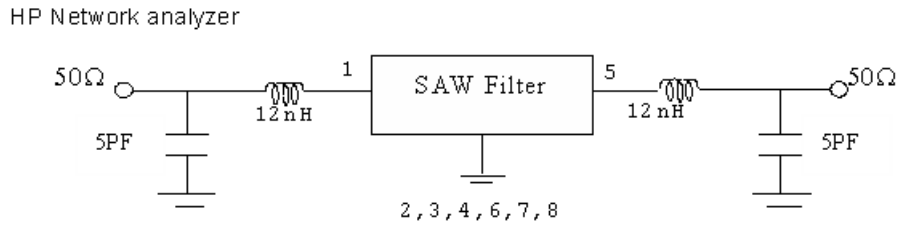
C. FREQUENCY CHARACTERISTICS:



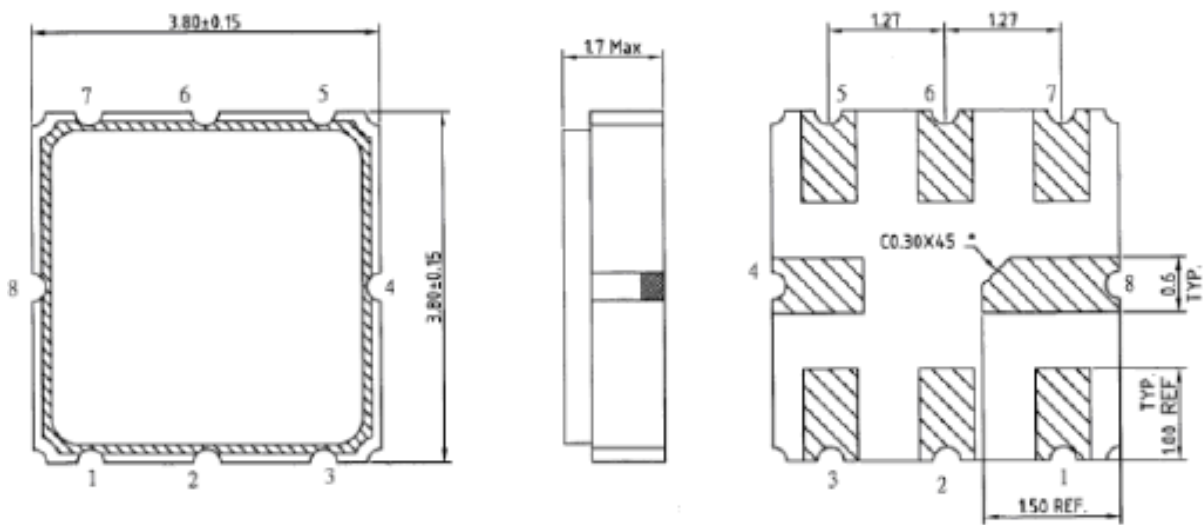
SAW Filter 869.26250MHz
Part No: MP03782

Model: TA0348A
Rev No: 1

D. MEASUREMENT CIRCUIT:

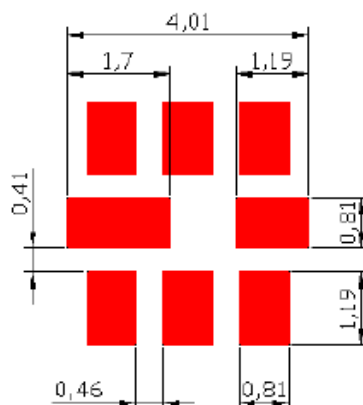


E. OUTLINE DRAWING:



- 1: Input or Input Ground
- 2: Input Ground or Input
- 5: Output or Output Ground
- 6: Output Ground or Output
- 4, 8: Case Ground.
- 3, 7: Ground

F. PCB FOOTPRINT:

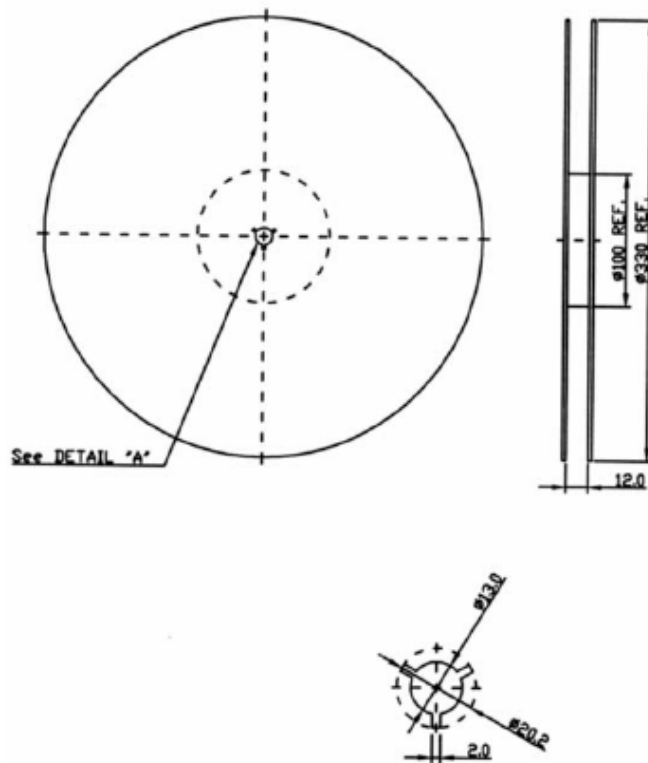


SAW Filter 869.26250MHz
Part No: MP03782

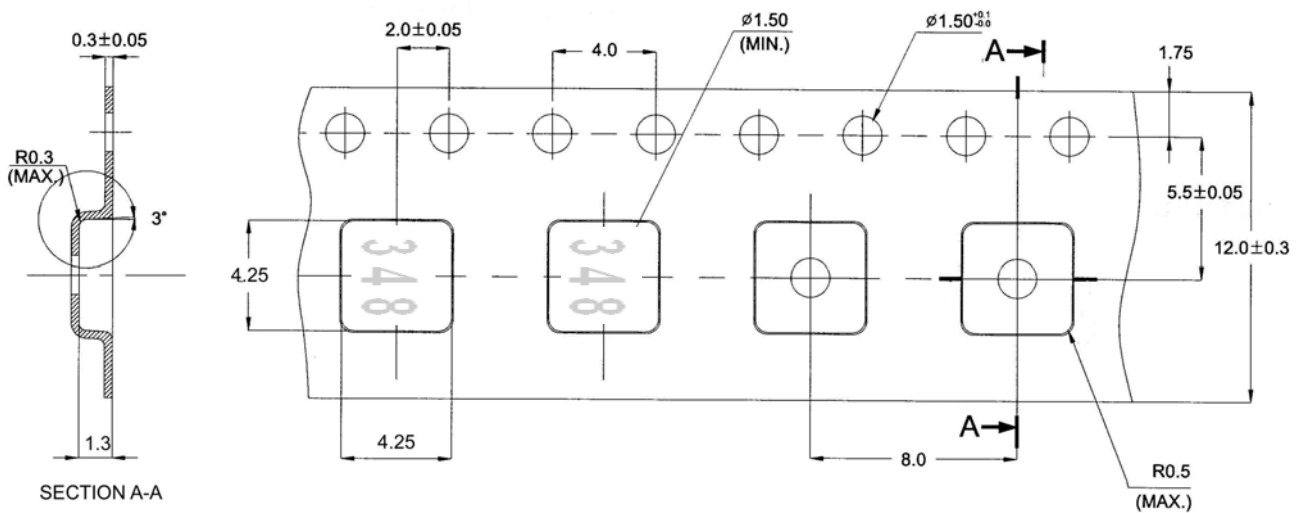
Model: TA0348A
Rev No: 1

G. PACKING:

1. REEL DIMENSION



2. TAPE DIMENSION



SAW Filter 869.26250MHz
Part No: MP03782

Model: TA0348A
Rev No: 1

H. RECOMMENDED REFLOW PROFILE:

