

SAW Filter 464.0MHz
Part No: MP03880

Model: TB0575A
Rev No: 4

A. MAXIMUM RATING:

1. Operating Temperature: -40°C to +85°C
2. Storage Temperature: -40°C to +85°C
3. Maximum Input Power: 10dBm

B. ELECTRICAL CHARACTERISTICS:

Ambient Temperature: 25°C

Item	Unit	Min.	Typ.	Max.
Center frequency Fc	MHz	-	464.0	-
Insertion loss at Fc	dB	-	12.6	13.5
Bandwidth at -1.0dB	MHz	3.15	3.45	-
Bandwidth at -3.0dB	MHz	-	3.90	4.20
Amplitude Ripple (Fc ± 1.4MHz)	dB	-	0.6	1.0
Group Delay Ripple (Fc ± 1.4MHz)	nS	-	100	250
Attenuation (Reference level from minimum Insertion loss)				
DC ~ 264MHz	dBc	30	62	-
264 ~ 368MHz	dBc	50	62	-
368 ~ 424MHz	dBc	45	57	-
424 ~ 458.6MHz	dBc	37	41	-
469.4 ~ 504MHz	dBc	36	40	-
504 ~ 664MHz	dBc	40	50	-
664 ~ 1000MHz	dBc	30	55	-
Temp Coefficient	ppm/°C ²	-	-0.036	-

SAW Filter 464.0MHz
Part No: MP03880

Model: TB0575A
Rev No: 4

C. FREQUENCY CHARACTERISTICS:

1. S21 Response

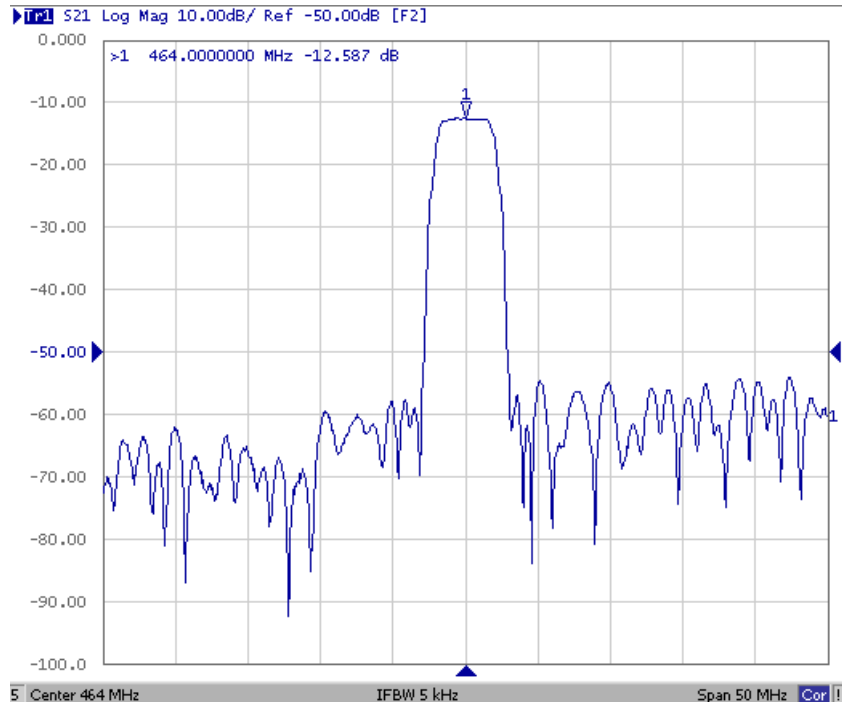


Fig. 1. Horizontal: 5MHz / Div, Vertical: 10Db / Div

2. Passband Response and Group Delay Ripple

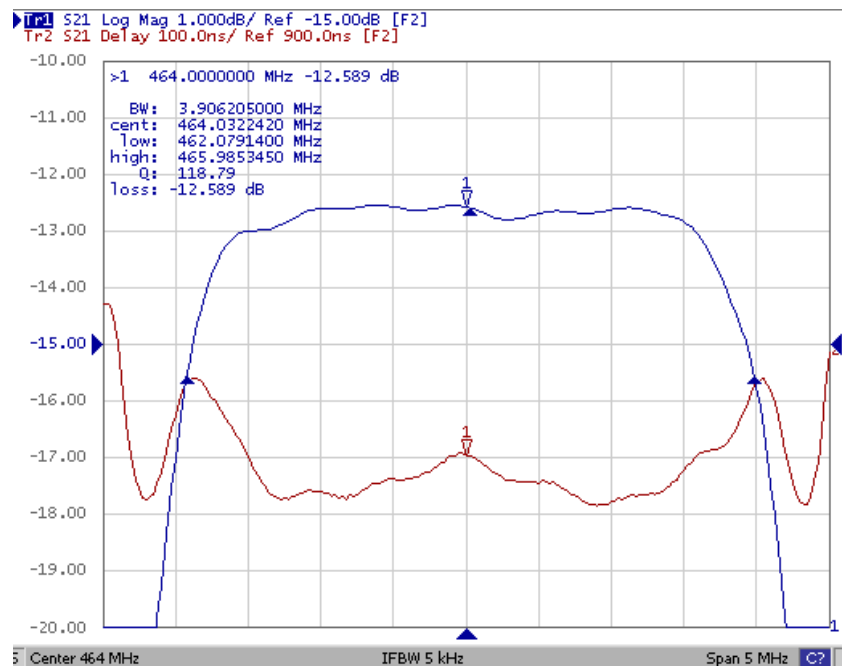


Fig. 2. Horizontal: 0.5MHz / Div, Vertical: 1dB / Div, Vertical: 100nS/Div

SAW Filter 464.0MHz
Part No: MP03880

Model: TB0575A
Rev No: 4

3. Wide band Response

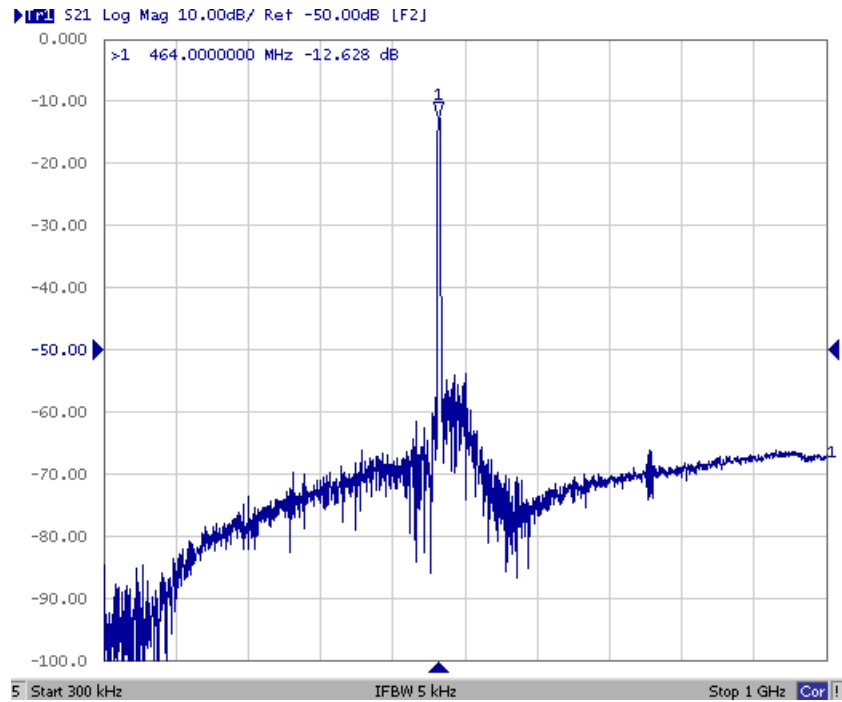


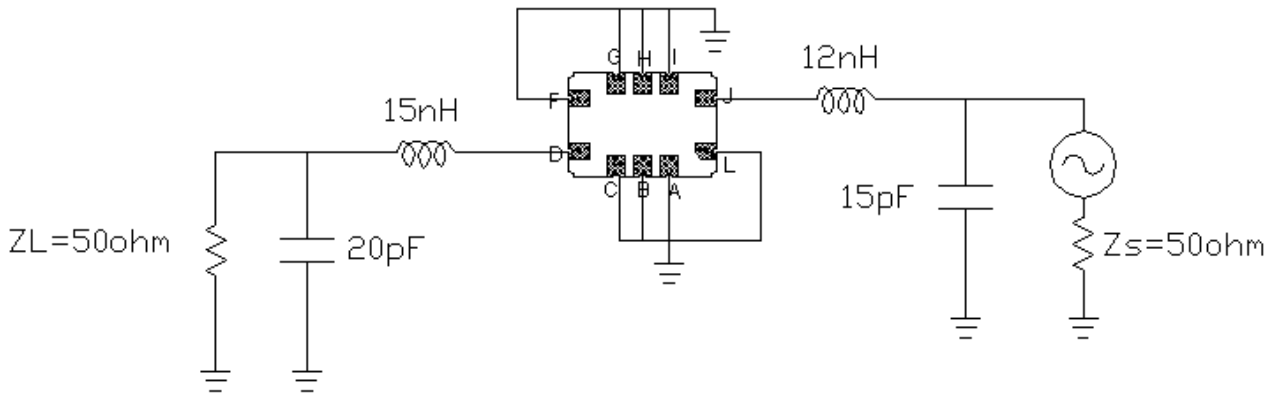
Fig. 4. Horizontal: 100MHz / Div, Vertical: 10dB / Div

SAW Filter 464.0MHz
Part No: MP03880

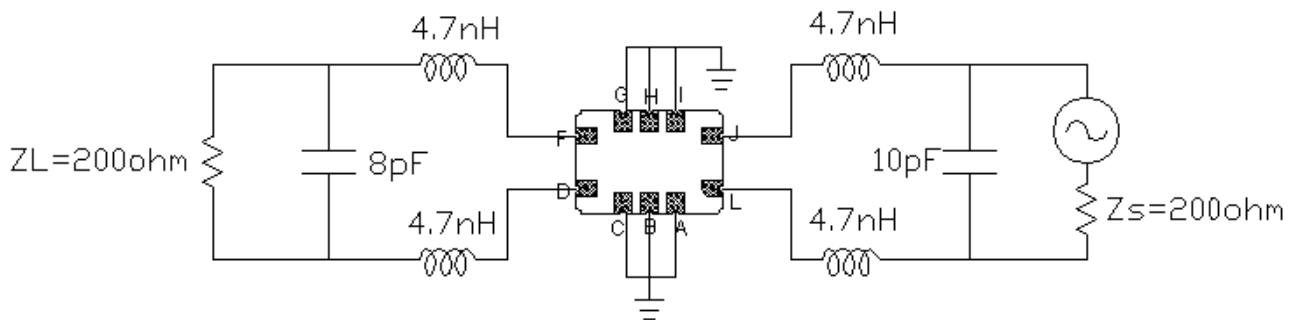
Model: TB0575A
Rev No: 4

D. MEASUREMENT CIRCUIT:

1. Single ended input 50ohm to Single ended Output 50ohm



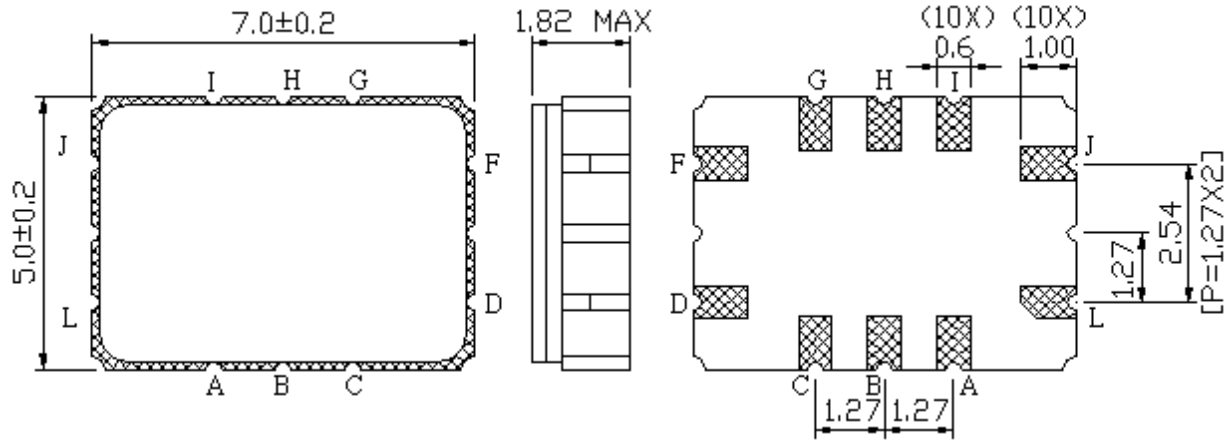
2. Balanced input 200ohm to Balanced Output 200ohm



SAW Filter 464.0MHz
Part No: MP03880

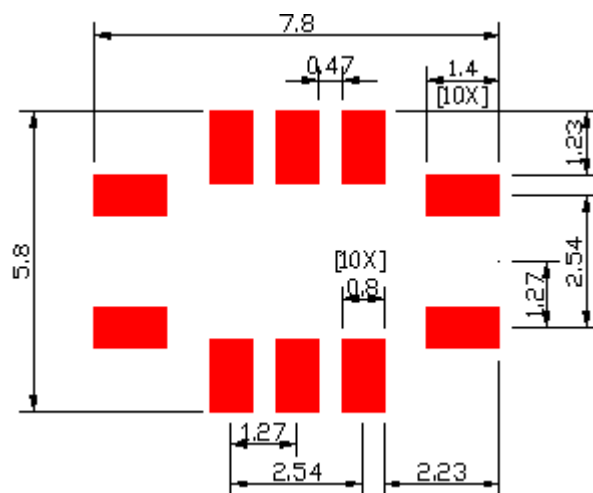
Model: TB0575A
Rev No: 4

E. OUTLINE DRAWING:



- J: RF Input or Balanced Input +
 - L: RF Input ground or Balanced input -
 - D: RF Output or Balanced Output+
 - F: RF Output ground or Balanced Output -
 - Pin A, B, C, G, H, I: Ground
- Unit: mm

F. PCB FOOTPRINT:



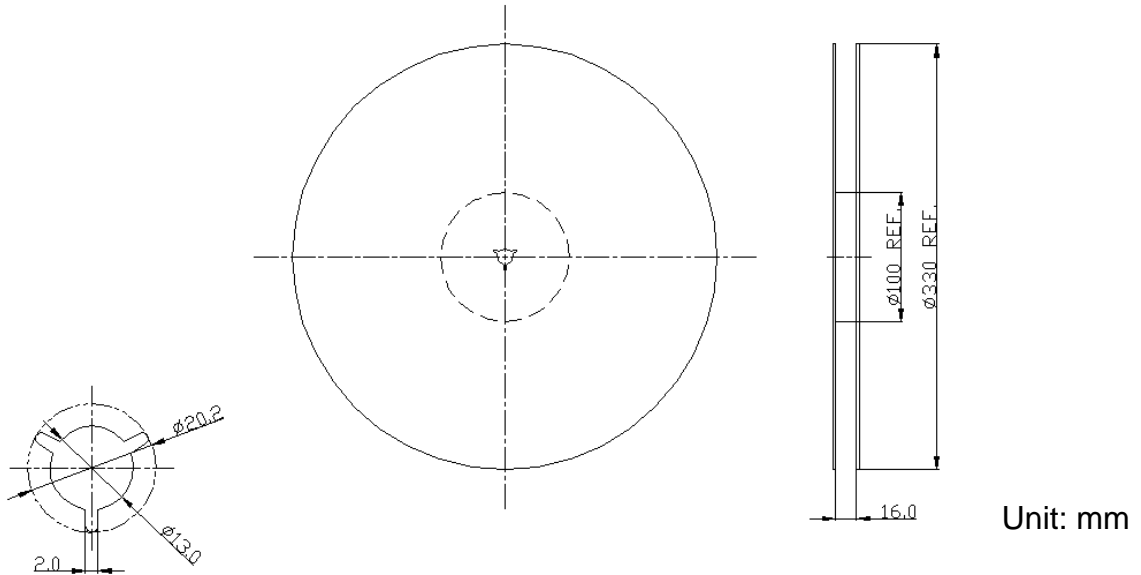
Unit: mm

SAW Filter 464.0MHz
Part No: MP03880

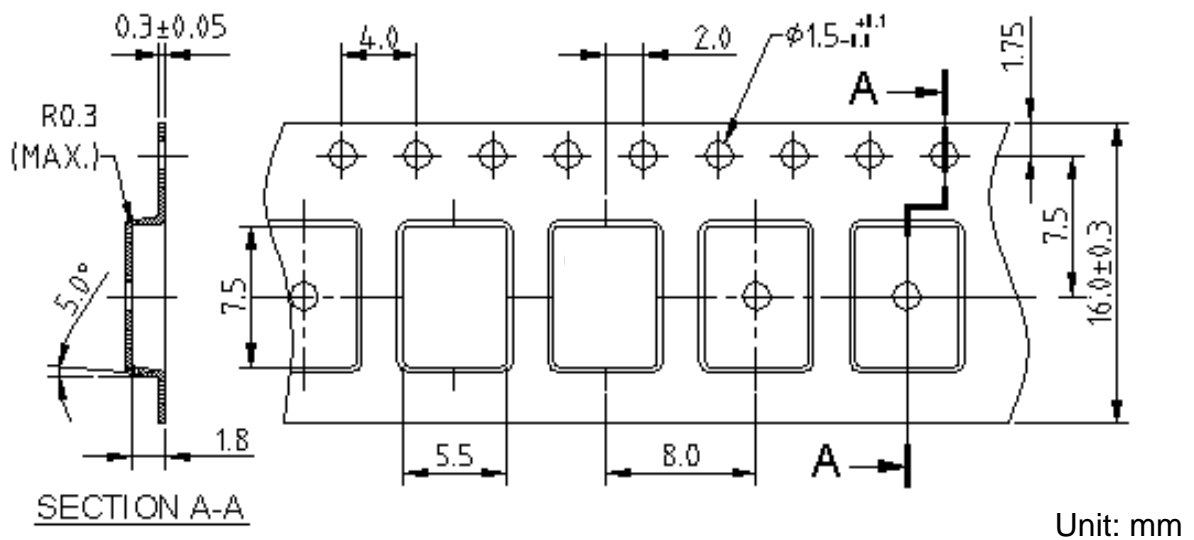
Model: TB0575A
Rev No: 4

G. PACKING:

1. Reel Dimension (Please refer to FR-75D10 for packing quantity)



2. Tape Dimension



SAW Filter 464.0MHz
Part No: MP03880

Model: TB0575A
Rev No: 4

H. RECOMMENDED REFLOW PROFILE:

1. Preheating shall be fixed at 150 ~ 180°C for 60 ~ 90 seconds.
2. Ascending time to preheating temperature 150°C shall be 30 seconds min.
3. Heating shall be fixed at 220°C for 50 ~ 80 seconds and at 260°C +0/-5°C peak (20 ~ 40 sec).
4. Time: 2 times.

