

SAW Filter 1575.420MHz
Part No: MP03890

Model: TA0796A
Rev No: 6

A. MAXIMUM RATING:

1. Input Power Level: 10dBm
2. DC Voltage: 3V
3. Operating Temperature: -40°C to +85°C
4. Storage Temperature: -55°C to +95°C

B. ELECTRICAL CHARACTERISTICS:

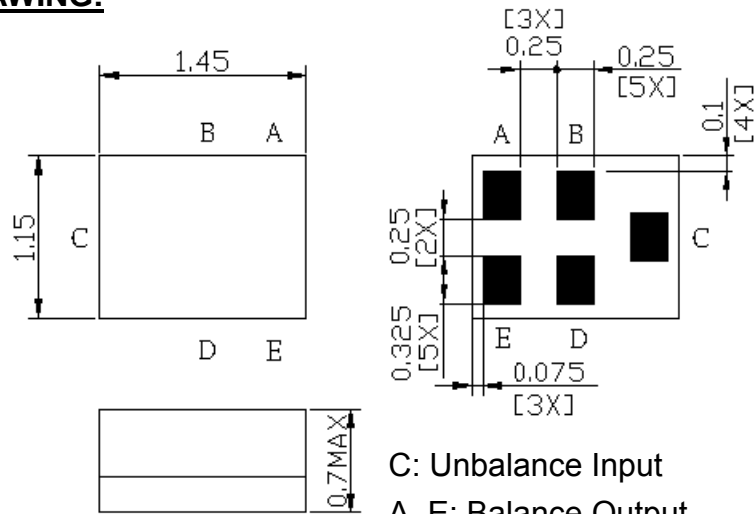
1. Terminating source impedance (single-ended): $Z_S = 50\Omega$
2. Terminating load impedance (differential): $Z_L = 100\Omega$

Item	Unit	Min.	Typ.	Max.	Note
Center Frequency Fc	MHz	-	1575.42	-	-
Max. Insertion Loss (1574.42 ~ 1576.42MHz) IL	dB	-	1.7	2.3	-
Amplitude ripple (1574.42 ~ 1576.42MHz)	dB	-	0.3	1	-
VSWR (1574.42~1576.42 MHz)		-	1.3	1.8	-
Attenuation					
100 ~ 960MHz	dB	40	46	-	-
960 ~ 1425MHz	dB	35	46	-	-
1425 ~ 1475MHz	dB	30	51	-	-
1475 ~ 1515MHz	dB	20	30	-	-
1515 ~ 1525MHz	dB	17	30	-	-
1625 ~ 1635MHz	dB	12	22.5	-	-
1635 ~ 1675MHz	dB	20	25	-	-
1675 ~ 1750MHz	dB	30	35	-	-
1750 ~ 1805MHz	dB	35	42	-	-
1805 ~ 1980MHz	dB	40	47	-	-
1980 ~ 2400MHz	dB	35	40	-	-
2400 ~ 3155MHz	dB	40	52	-	-
3155 ~ 6000MHz	dB	35	52	-	-

SAW Filter 1575.420MHz
Part No: MP03890

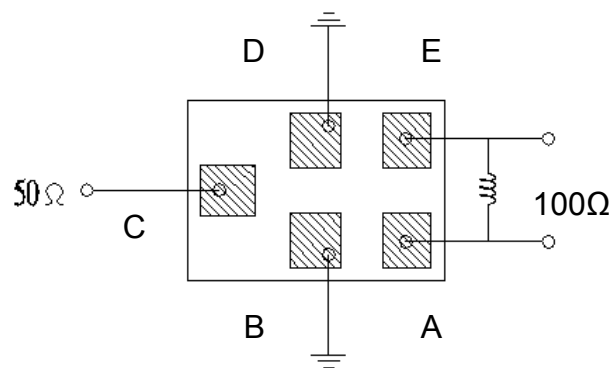
Model: TA0796A
Rev No: 6

C. OUTLINE DRAWING:

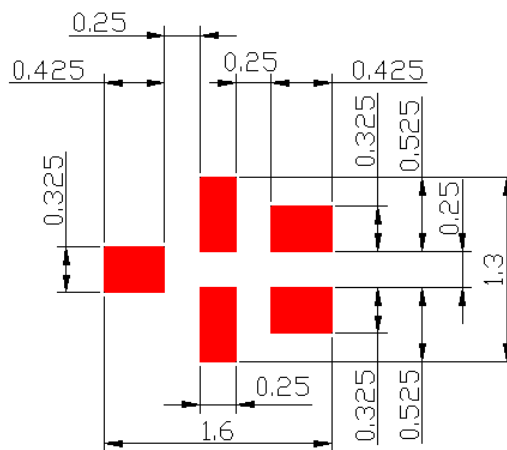


C: Unbalance Input
 A, E: Balance Output
 B, D: Ground
 Unit: mm

D. MEASUREMENT CIRCUIT:



E. PCB FOOTPRINT:

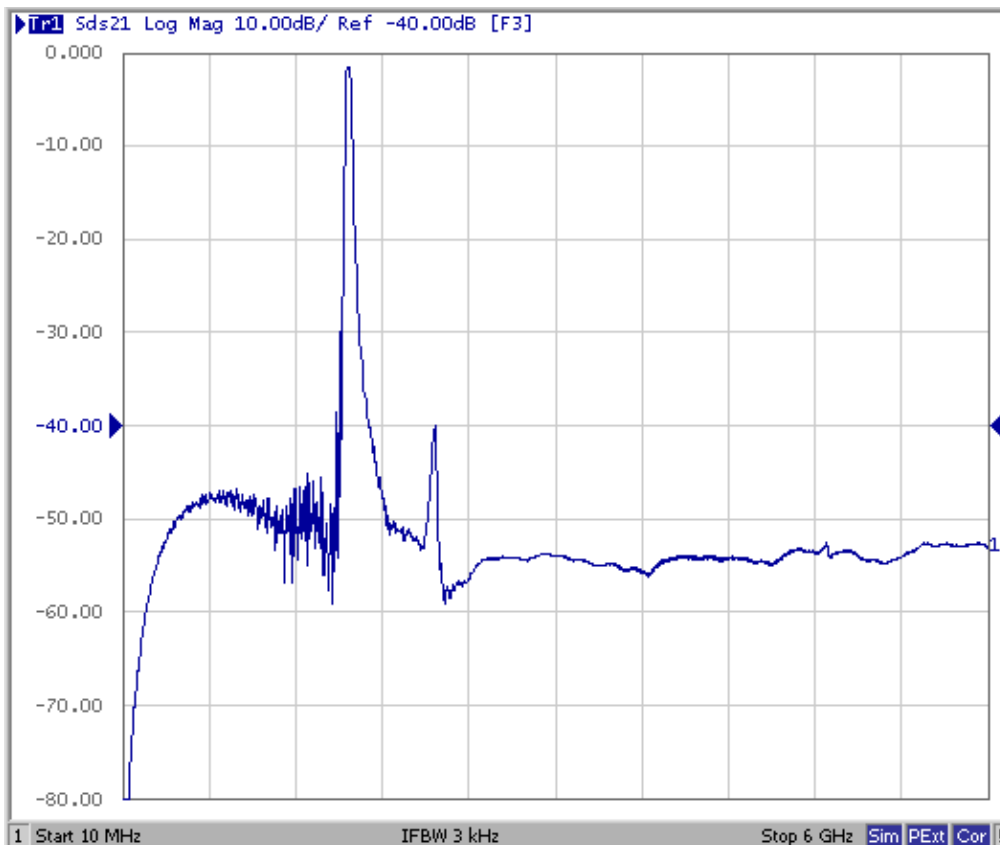
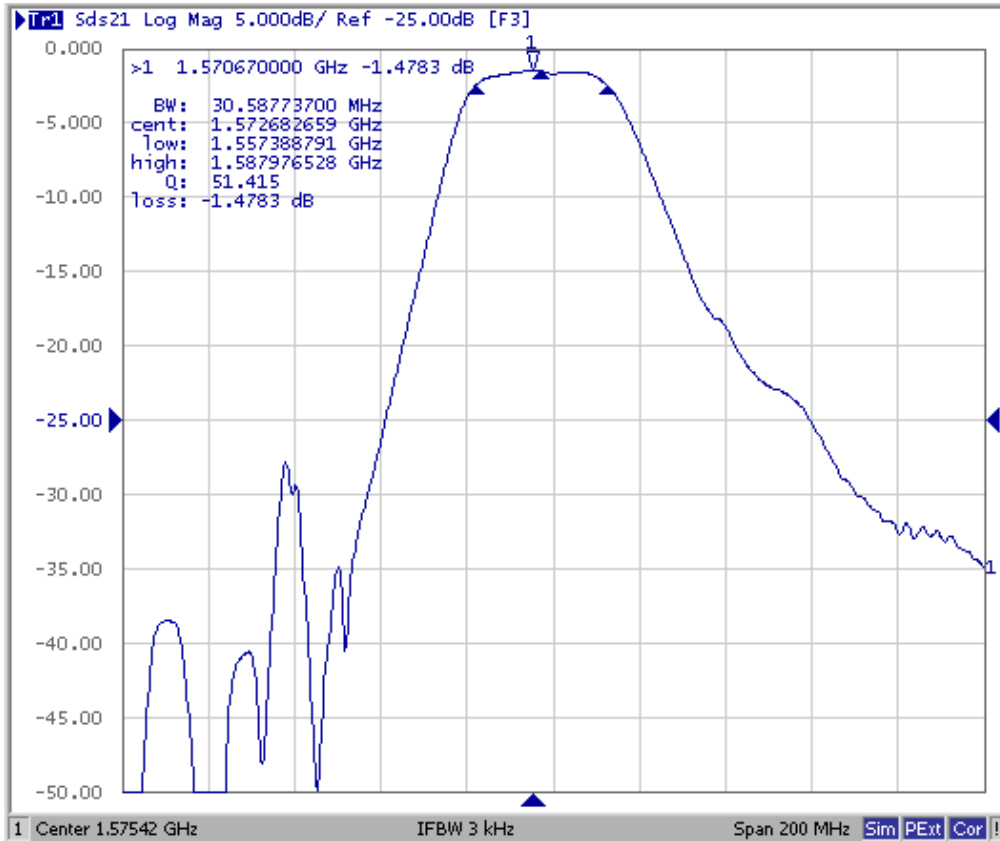


■ : Land Pattern
 Unit : mm

SAW Filter 1575.420MHz
Part No: MP03890

Model: TA0796A
Rev No: 6

F. FREQUENCY CHARACTERISTICS:

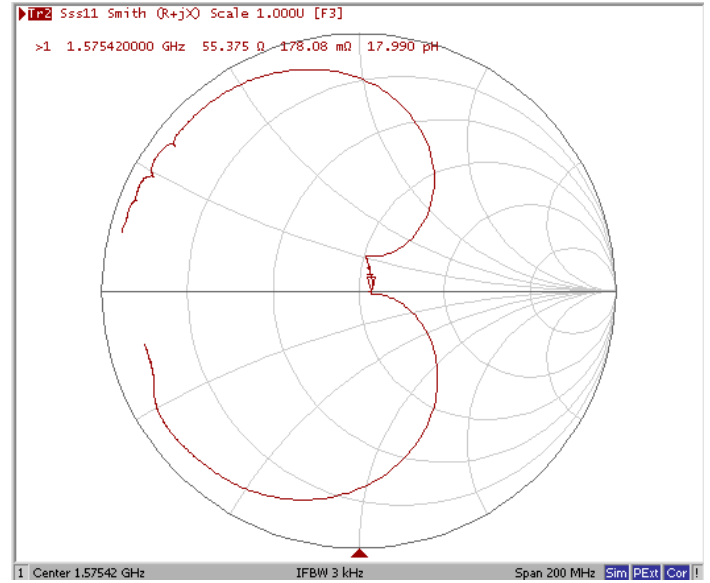
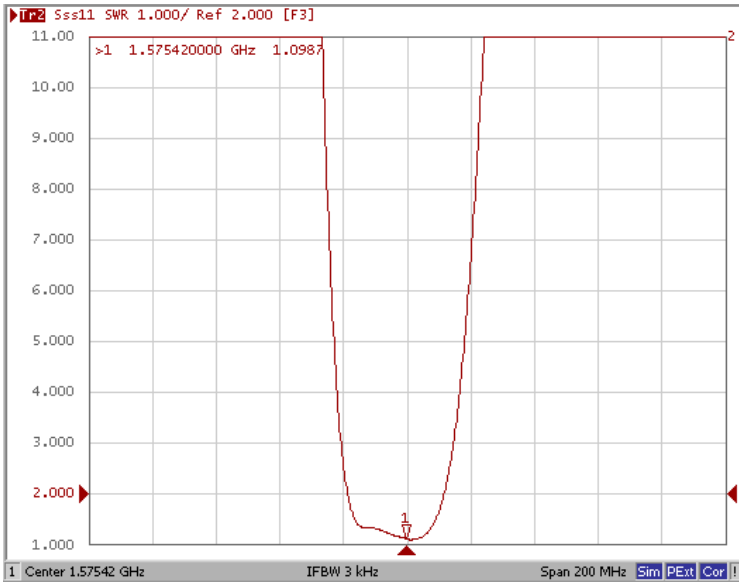


SAW Filter 1575.420MHz
Part No: MP03890

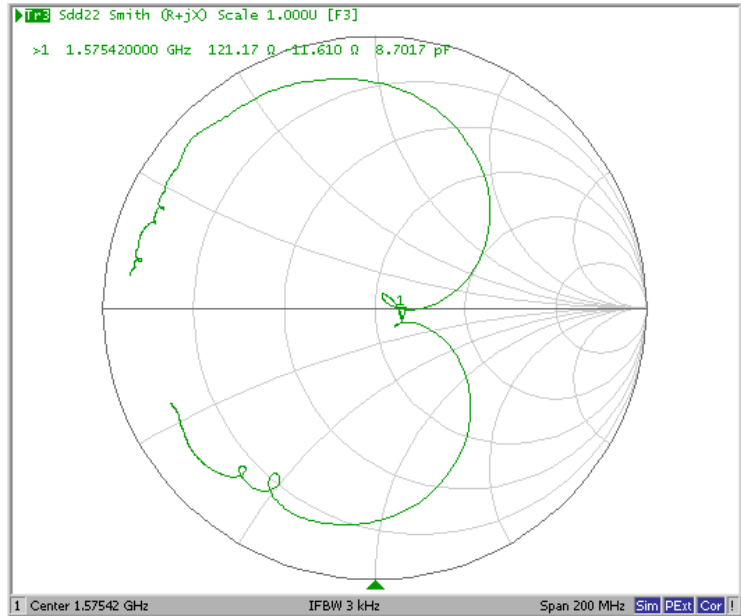
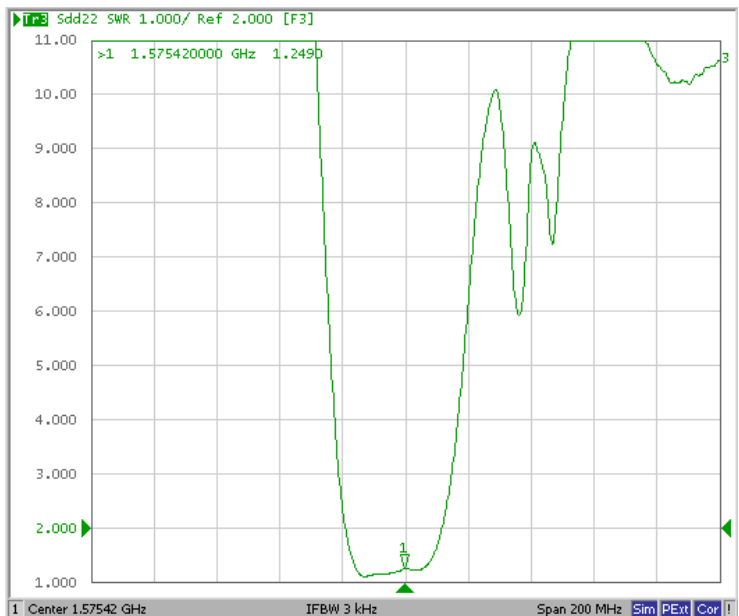
Model: TA0796A
Rev No: 6

Reflection Functions

S11



S22

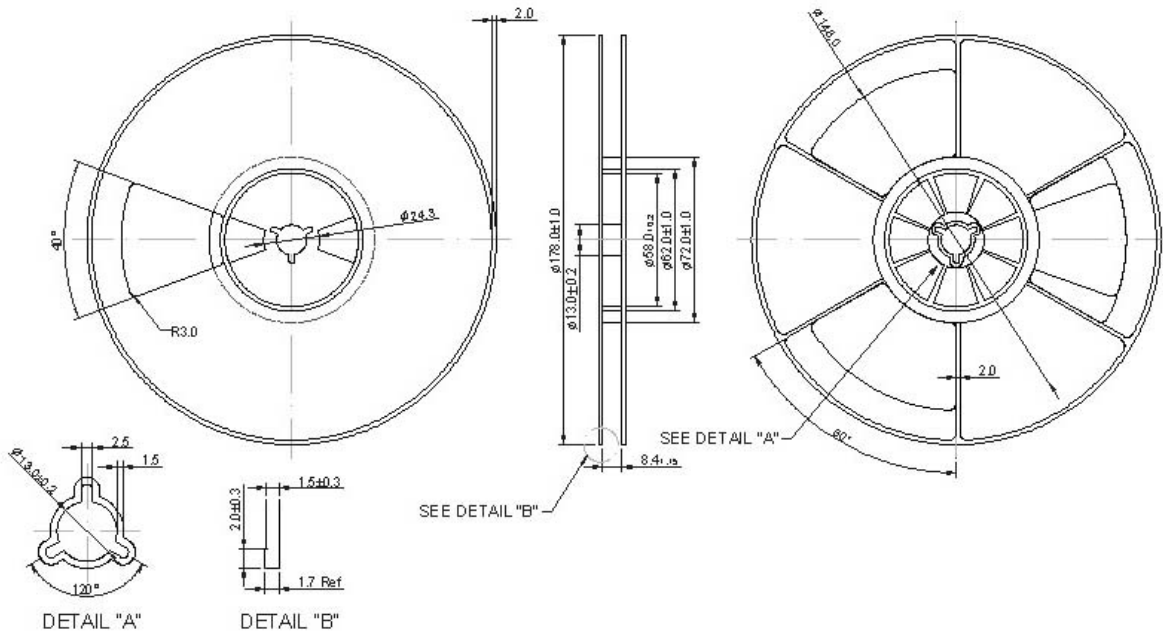


SAW Filter 1575.420MHz
Part No: MP03890

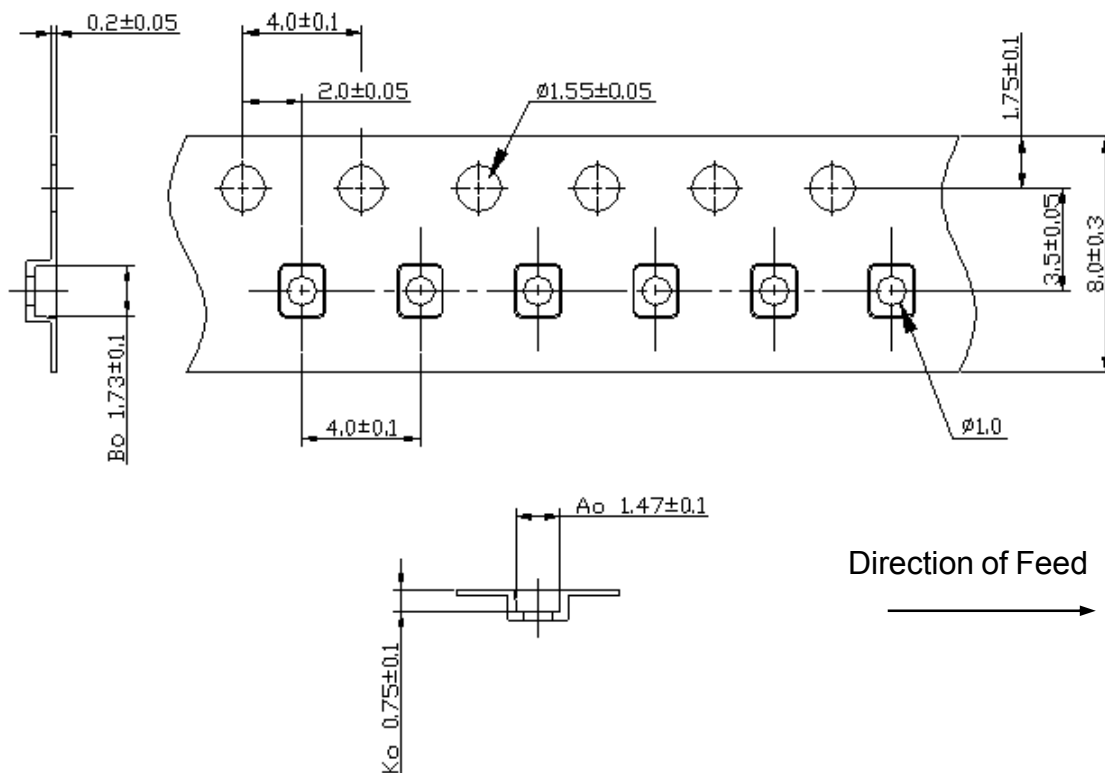
Model: TA0796A
Rev No: 6

G. PACKING:

1. Reel Dimension



2. Tape Dimension



SAW Filter 1575.420MHz
Part No: MP03890

Model: TA0796A
Rev No: 6

H. RECOMMENDED REFLOW PROFILE:

