

SAW Filter 1586.360MHz
Part No: MP03899

Model: TA1310A
Rev No: 1

A. MAXIMUM RATING:

1. Input Power Level: 10dBm
2. DC Voltage: 3V
3. Operating Temperature: -40°C to +85°C
4. Storage Temperature: -40°C to +85°C

B. ELECTRICAL CHARACTERISTICS:

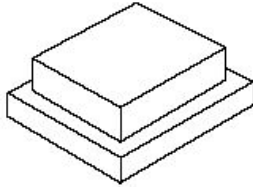
1. Terminating source impedance (single): $Z_S = 50\Omega$
2. Terminating load impedance (differential): $Z_L = 100\Omega$

Item	Unit	Min.	Typ.	Max.	Note
Center Frequency Fc	MHz	-	1586.36	-	-
Insertion Loss (1566.36 ~ 1606.36MHz) IL	dB	-	2.2	3.2	-
VSWR (1566.36 ~ 1606.36MHz)	dB	-	2.2	2.5	-
Amplitude ripple(1566.36 ~ 1606.36MHz)	dB	-	0.4	1.2	-
Attenuation					
0 ~ 1460MHz	dB	36	41	-	-
1460 ~ 1505MHz	dB	25	32	-	-
1734 ~ 2000MHz	dB	25	30	-	-
2000 ~ 4250MHz	dB	30	36	-	-
4250 ~ 6000MHz	dB	36	54	-	-
Package size	mm SMD 1.4x1.1				

SAW Filter 1586.360MHz
Part No: MP03899

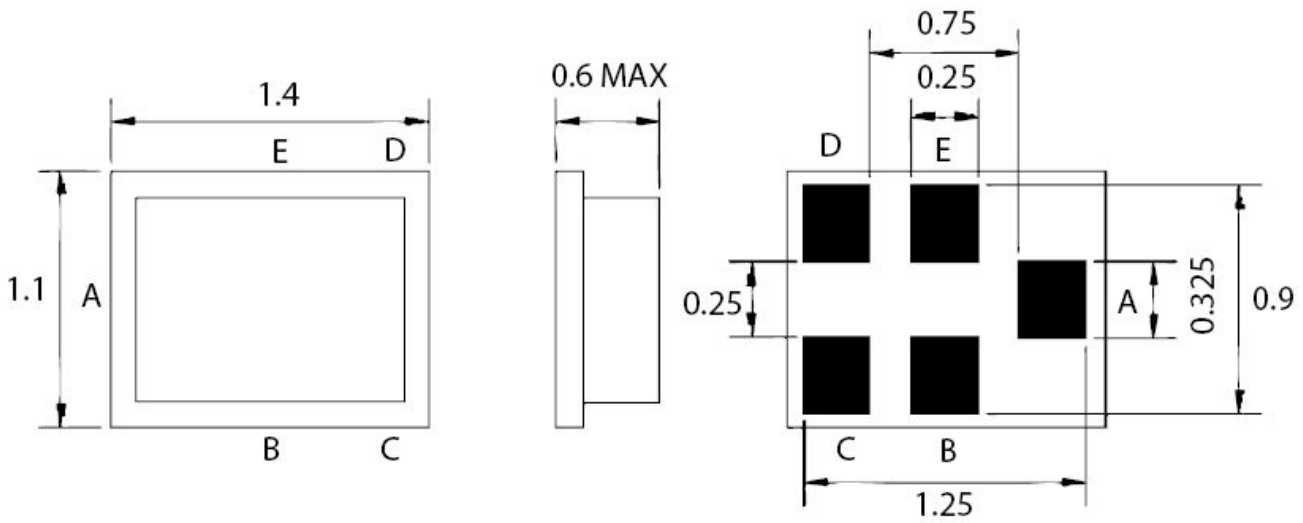
Model: TA1310A
Rev No: 1

C. OUTLINE DRAWING:

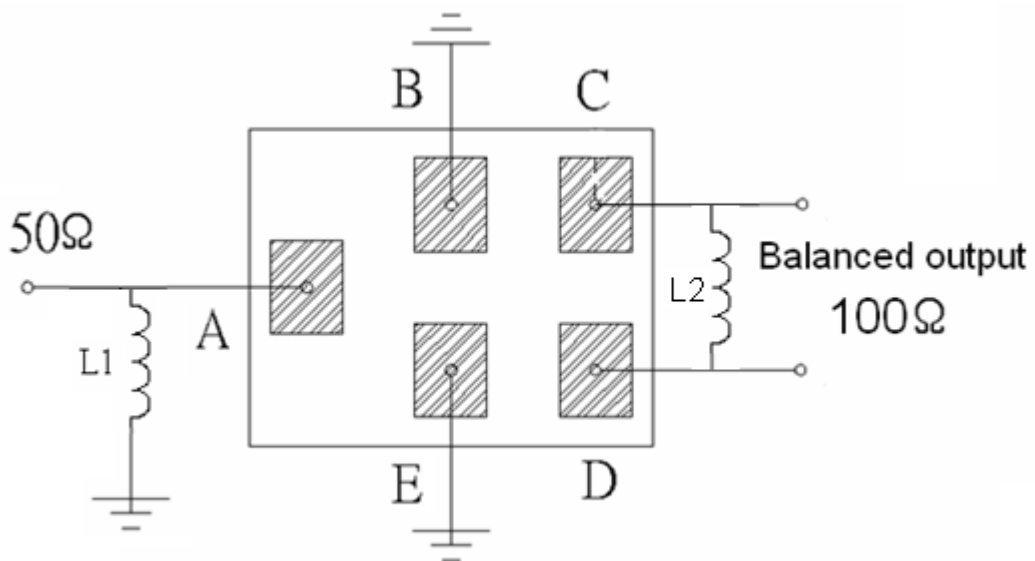


Electrical Connections

Connection	Terminals
Input	A
Output	C, D
Ground	B, E



D. MEASUREMENT CIRCUIT:



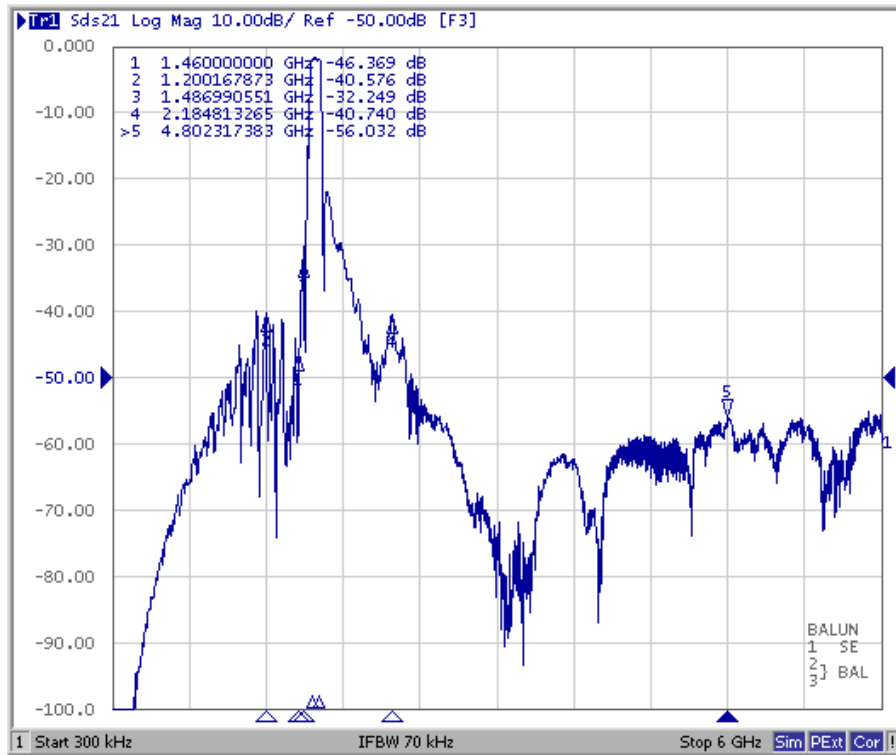
$L1 = 6\text{nH}$, $L2 = 12\text{nH}$

SAW Filter 1586.360MHz
Part No: MP03899

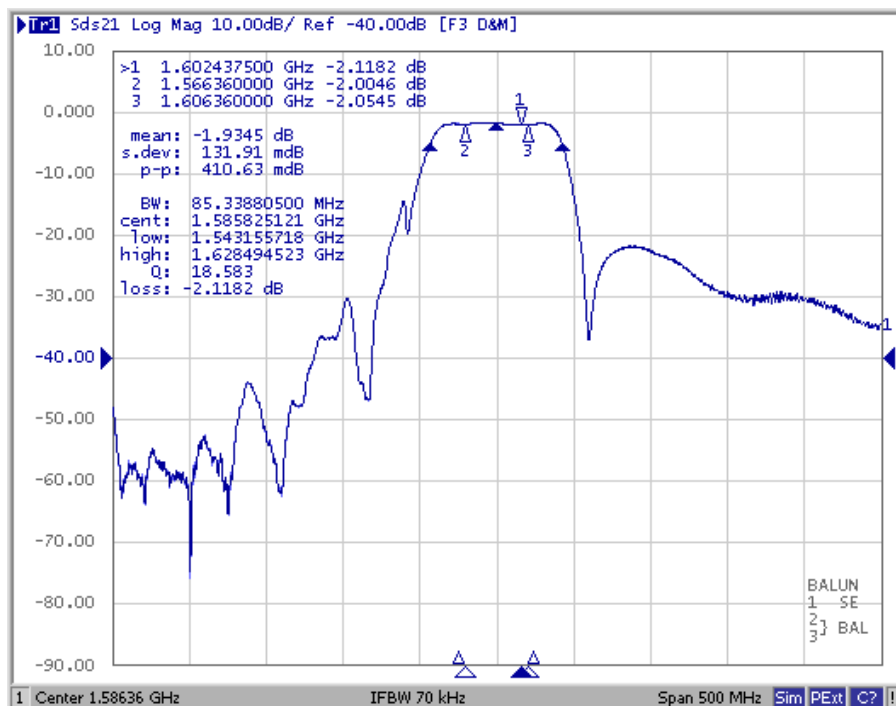
Model: TA1310A
Rev No: 1

E. FREQUENCY CHARACTERISTICS:

1. S21 response: (span 6GHz)



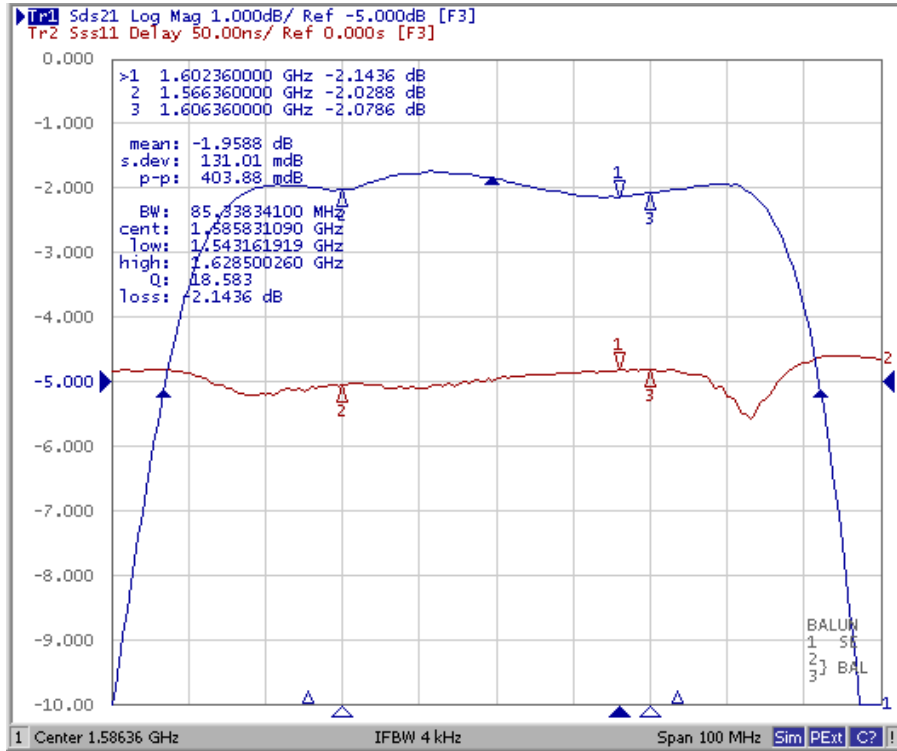
2. S21 response: (span 500MHz)



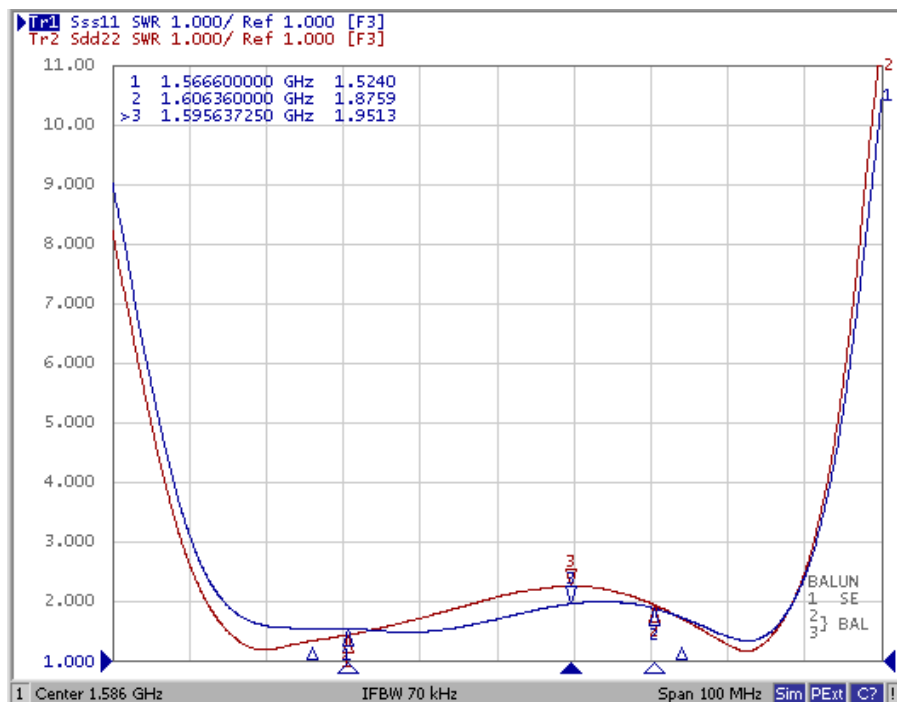
SAW Filter 1586.360MHz
Part No: MP03899

Model: TA1310A
Rev No: 1

3. S21 response: (span 100MHz)



4. S11&S22 VSWR: (span 100MHz)



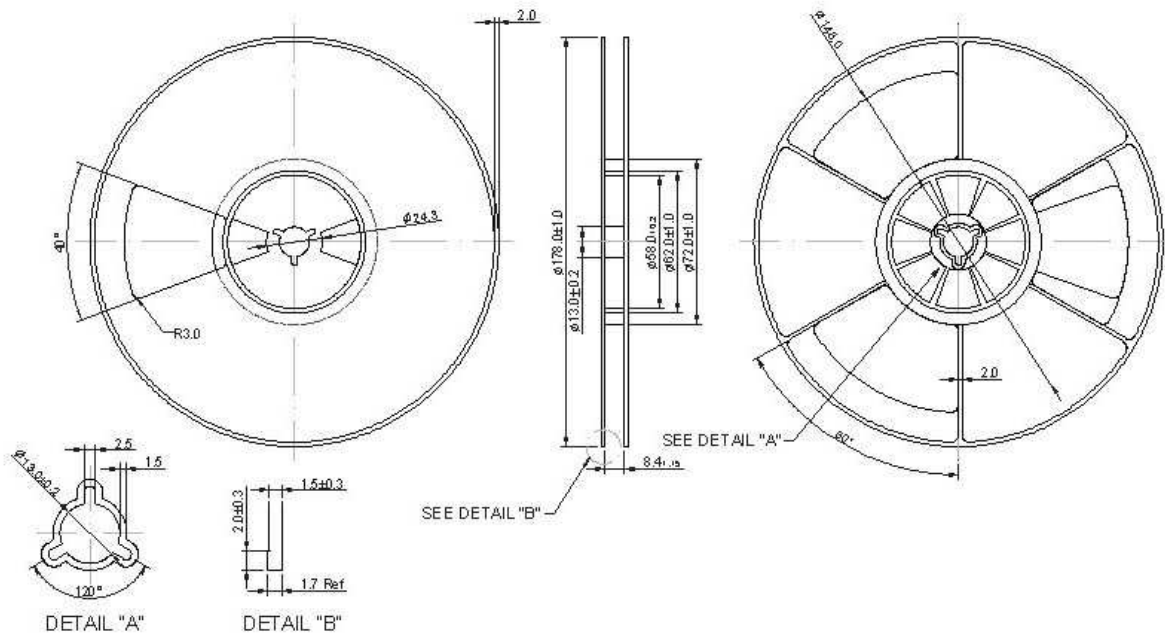
SAW Filter 1586.360MHz
Part No: MP03899

Model: TA1310A
Rev No: 1

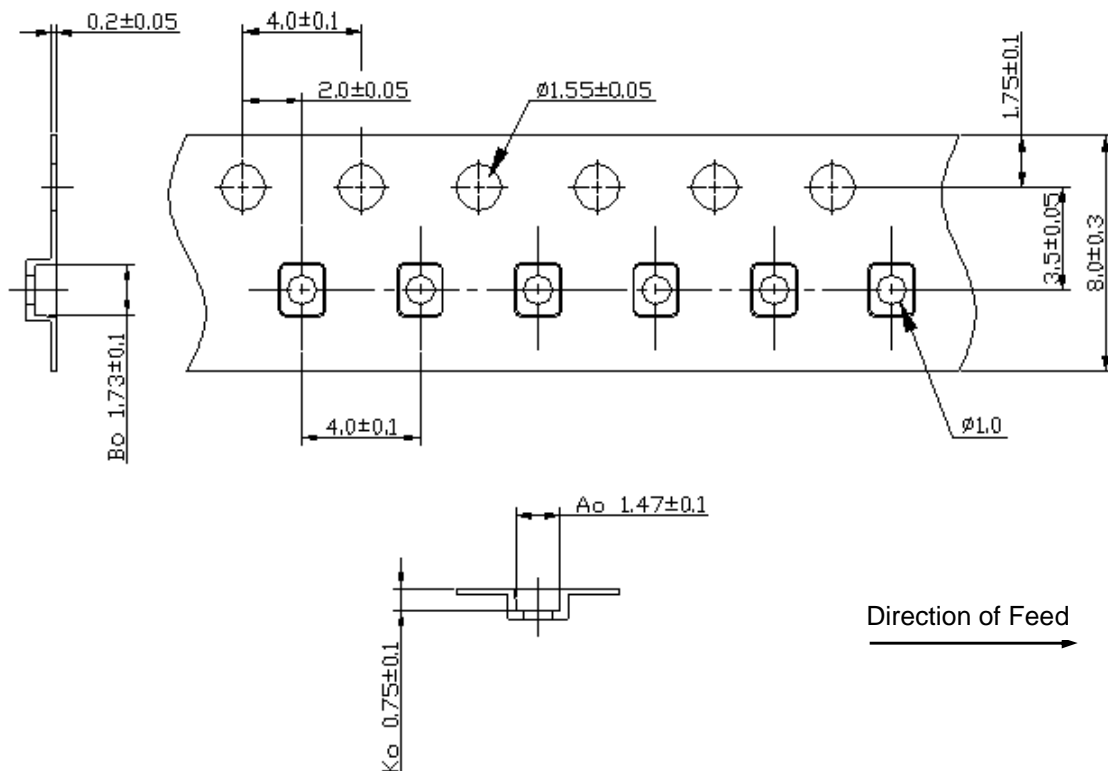
F. PACKING:

1. REEL DIMENSION

(Reel Count: 7" = 3000)



2. TAPE DIMENSION



SAW Filter 1586.360MHz
Part No: MP03899

Model: TA1310A
Rev No: 1

G. RECOMMENDED REFLOW PROFILE:

