

**SAW Filter 829.50MHz**  
**Part No: MP03908**

**Model: TB0804A**  
**Rev No: 2**

**A. MAXIMUM RATING:**

1. Operating Temperature: -40°C ~ +85°C
2. Storage Temperature: -40°C ~ +85°C
3. Input power: 10dBm

**B. CHARACTERISTICS:**

Ambient Temperature: 25°C

Item	Unit	Min.	Typ.	Max.
Center frequency Fc	MHz	-	829.5	-
Insertion Loss IL	dB	-	23.8	26
1dB Bandwidth	MHz		14.6	-
3dB Bandwidth	MHz		15.3	
40dB Bandwidth	MHz		18.7	19.2
Amplitude Ripple Fc ± 7.0MHz	dB		0.85	
Group-Delay Ripple Fc ± 7.0MHz	nsec		70	120
Absolute Delay	usec		0.9	
Temperature Coefficient of frequency	PPM/°C <sup>2</sup>		-0.036	
Package	mm <sup>3</sup>		13.3 x 6.5	

**SAW Filter 829.50MHz**  
**Part No: MP03908**

**Model: TB0804A**  
**Rev No: 2**

**C. FREQUENCY CHARACTERISTICS:**

1. S21 Response: (span: 80MHz)

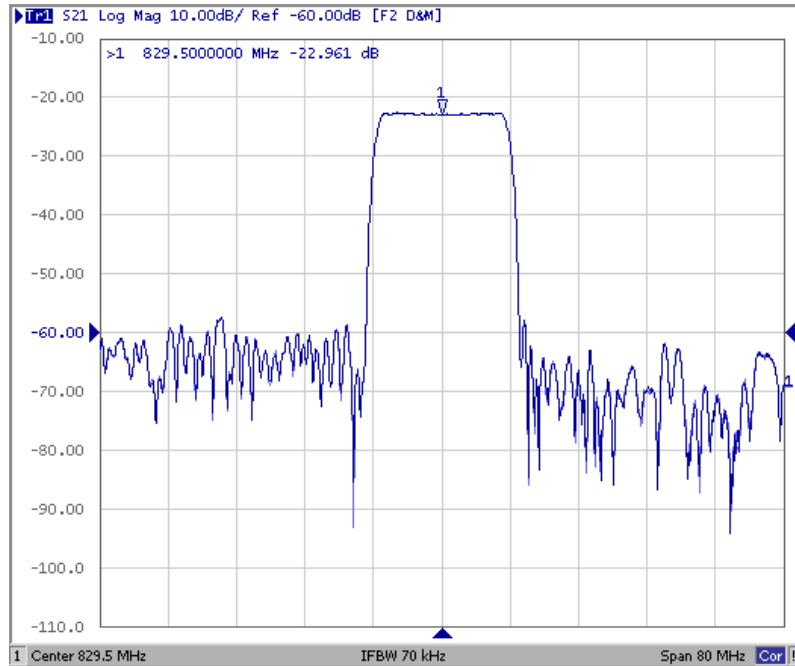


Fig. 1. Horizontal: 8MHz/Div, Vertical: 10dB/Div

2. Group-Delay Ripple: (span: 20MHz)

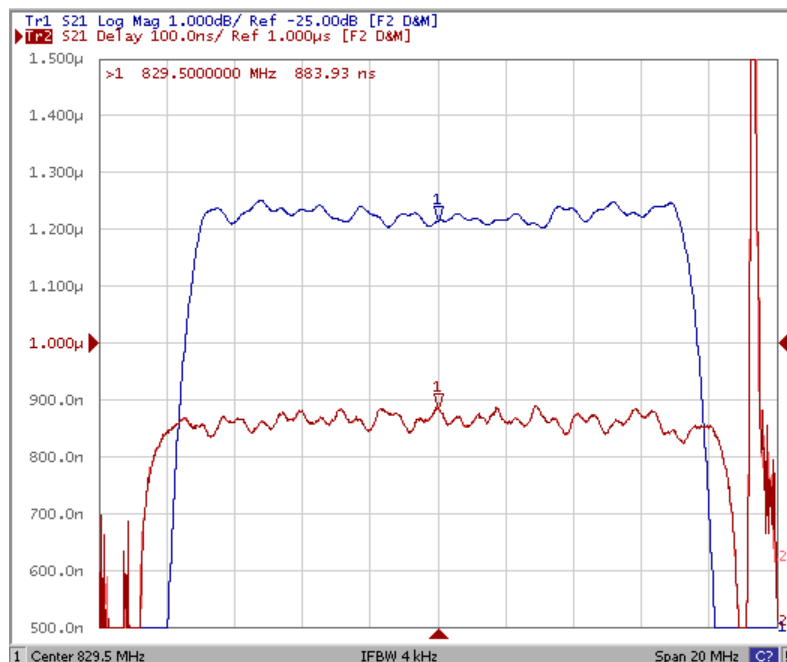


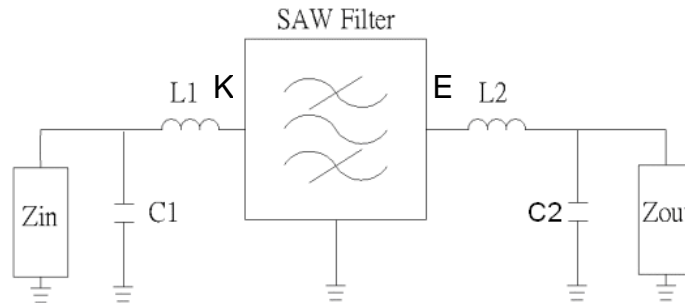
Fig. 2. Horizontal: 2MHz/Div, Vertical: 100nec/Div



**SAW Filter 829.50MHz**  
**Part No: MP03908**

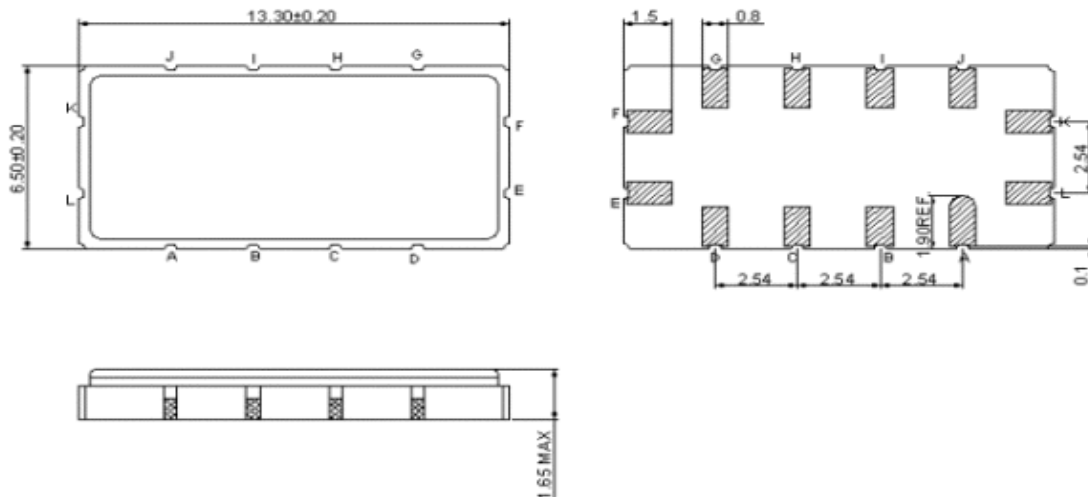
**Model: TB0804A**  
**Rev No: 2**

**D. MEASUREMENT CIRCUIT:**



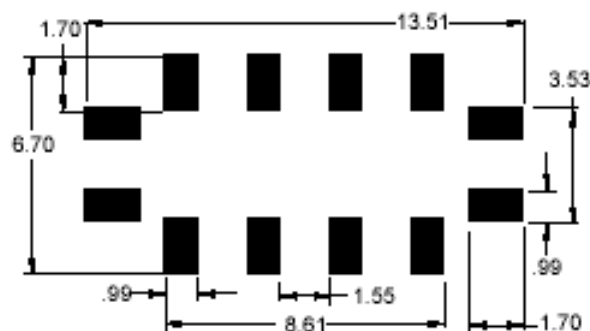
$Z_{IN}$  and  $Z_{OUT}$  are  $50\Omega$ ,  $L1 = 3nH$ ,  $C1 = 10pF$ ,  $L2 = 3nH$ ,  $C2 = 12pF$

**E. OUTLINE DRAWING:**



K: RF input  
 E: RF output  
 A, B, C, D, G, H, I, L, F, J: To be Ground  
 Unit: mm

**F. PCB FOOTPRINT:**

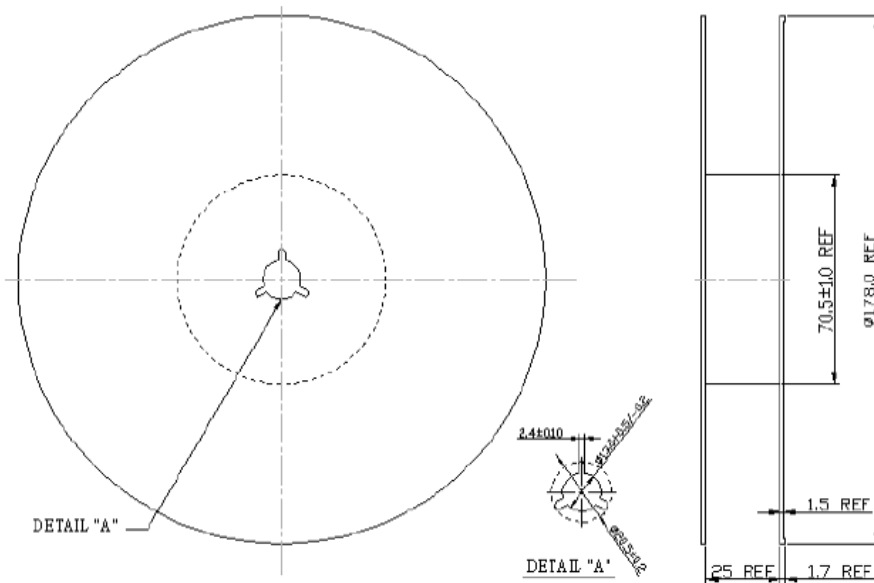


**SAW Filter 829.50MHz**  
**Part No: MP03908**

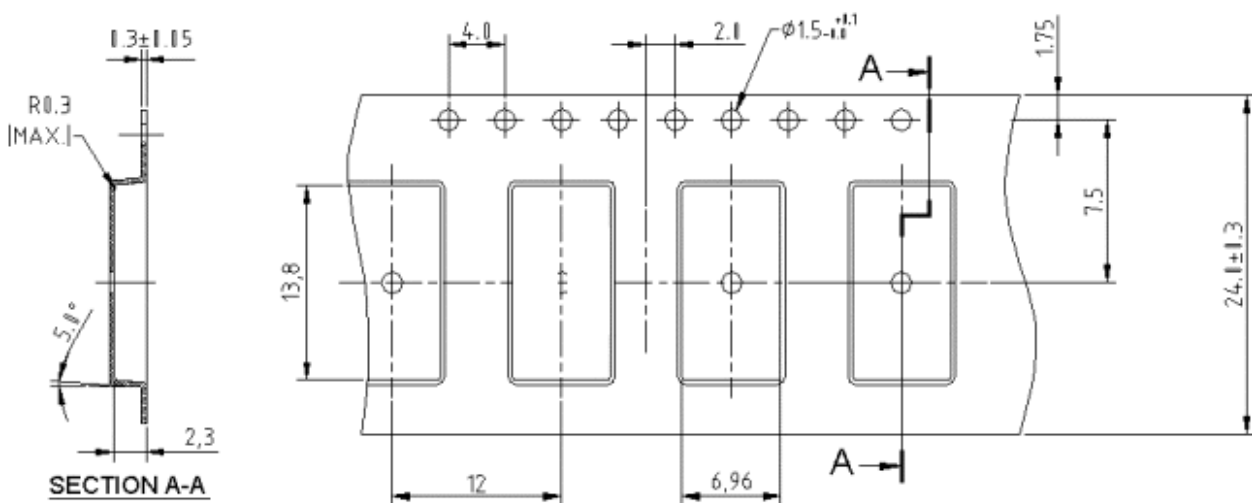
**Model: TB0804A**  
**Rev No: 2**

**G. PACKING:**

**1. REEL DIMENSION**



**2. TAPE DIMENSION**



**SAW Filter 829.50MHz**  
**Part No: MP03908**

**Model: TB0804A**  
**Rev No: 2**

**H. RECOMMENDED REFLOW PROFILE:**

